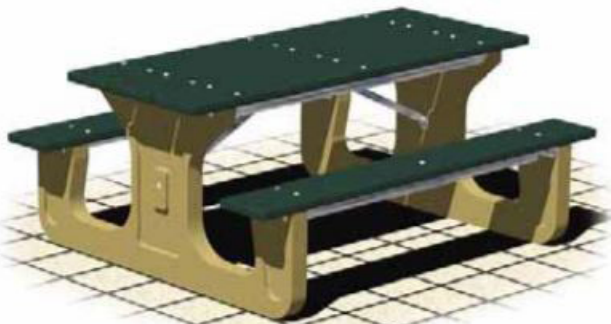




RT Series 6 and 8 Foot Recycled Plastic Rectangular Table

SPECIFICATION
BULLETIN
#SPC-TB-078
REV. 07-09



Model RT/C-6N 6 ft. Recycled Plastic Rectangular Table with Cedar colored end frames and Green Top and Seat Planks

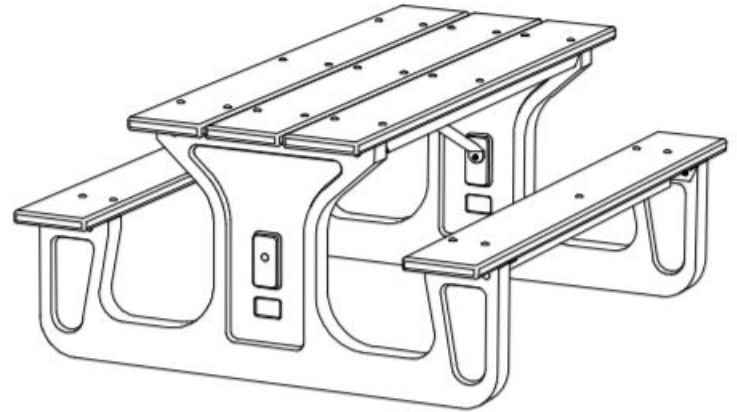
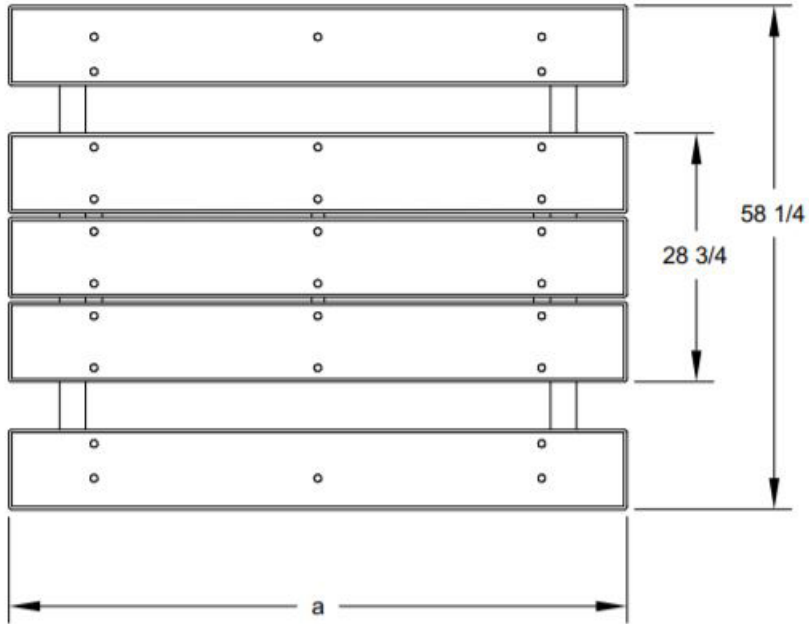
- **Molded 100% Recycled Plastic Legs**
- **100% Recycled Plastic Seat and Top Planks**
- **Solid color throughout plastic and U.V. stabilizer for ultraviolet protection**
- **Pregalvanized steel channel reinforcements under seats and table top**
- **Quality construction throughout**

SPECIFICATIONS:

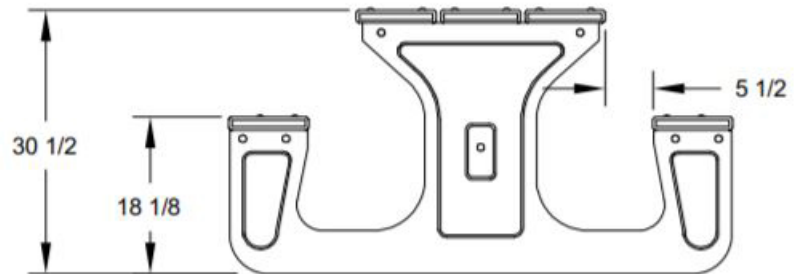
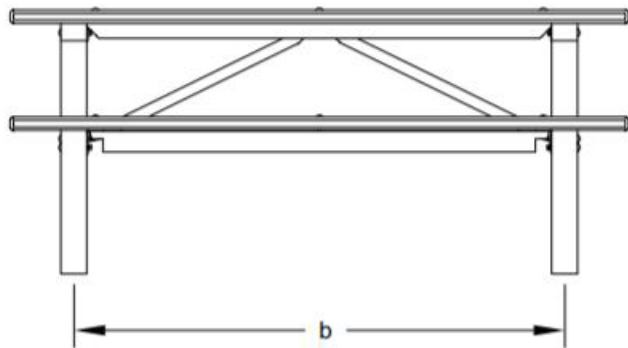
- **RT Series** table end frames are molded of 100% recycled plastic in 3" thick profiles and are predrilled to mount seat angles, top angles and diagonal braces. Tables provides a nom. seat height of 17-1/2" and nom. table top height of 30".
- Table tops and seats are supported by pregalvanized steel subframe channels. Table is supported by diagonal braces of 1-5/16" O.D. galvanized steel pipe that connect to a die-formed steel channel designed to align and provide attachment to the table top.
- **Model RT/W-6** has a nominal length of 72".
- **Model RT/W-8** has a nominal length of 96".
- All fasteners are provided for assembly.
- **Standard:** End frames are made of 3" thick 100% Recycled Plastic with solid Brown color (indicated by "/W" following RT in model no., e.g. RT/W-6C) formed throughout and a U.V. stabilizer added for ultra-violet protection.
- **Standard:** Tops and seats are made of 100% Recycled Plastic molded into 2" x 10" nominal sized planks with solid Cedar colored (indicated by "C" in model no., e.g. RT/W-6C) formed throughout and a U.V. stabilizer added for ultra-violet protection.
- **Optional:** Color choices of Recycled Plastic components. For optional colors choices see Specification Bulletin #SPC-CO-001.

AVAILABLE OPTIONS

- 6 and 8 foot lengths
- Choice of colors of Recycled Plastic
- Custom Lettering and Plaques available
(call for details)



MODEL NUMBER	DIMENSION	
	a	b
RT-6	71 1/2	56 3/4
RT-8	95 1/2	75



ALL DIMENSIONS IN INCHES

ALL DIMENSIONS IN INCHES

DRAWN BY
WWM

TITLE RT SERIES 6 AND 8 FOOT RECYCLED PLASTIC RECTANGULAR TABLE

DATE 11-05-08

DWG. NO. AI-1717