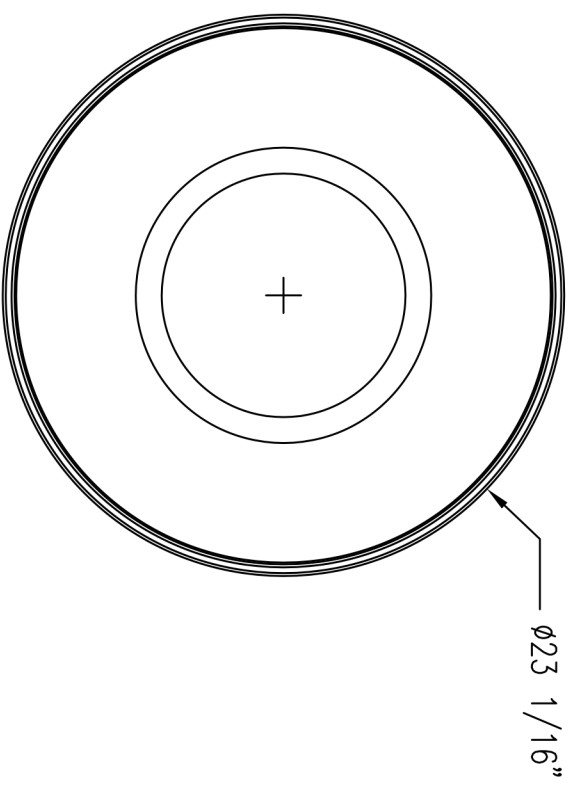
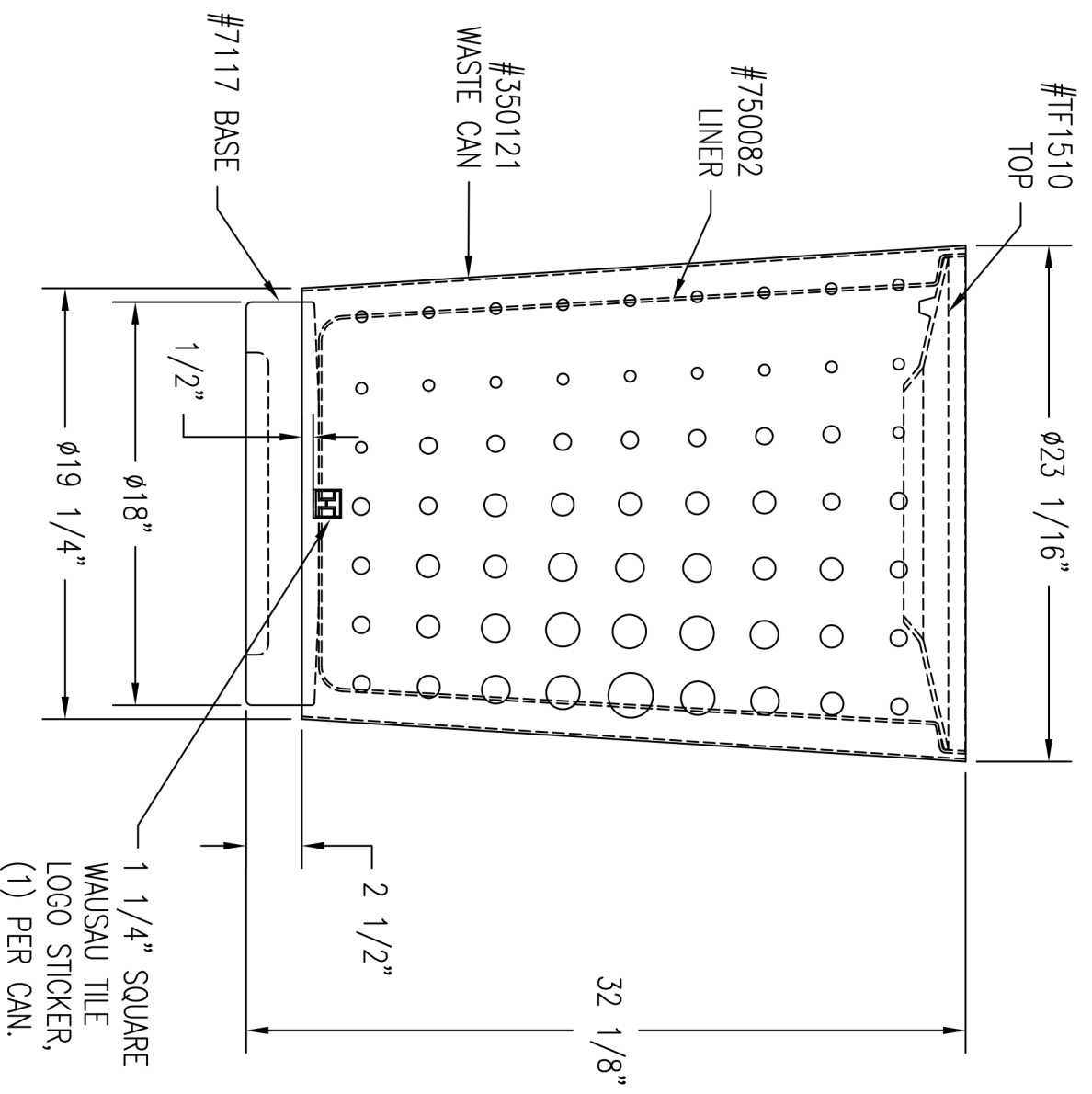


1 TOP VIEW
Scale: 1/8" = 1"



2 ELEVATION
Scale: 1/8" = 1"



WS-303 STEEL WASTE CONTAINER
W/ S-P PATTERN

REVISIONS						DRAWN BY	JOB	MATERIAL
NO.	DATE	BY	NO.	DATE	BY			
1	12/8/09	P.W.	4			M JOHNSON		
2			5					
3			6					

JOB NO.		SCALE		UNLESS OTHERWISE SPECIFIED DIMENSIONS ARE IN INCHES ANGLES ±0.5° FRAC. ±1/64" 2 PL ±0.01 3 PL ±0.005	DATE	ITEM NO.	DWG. NO.
AS NOTED		AS NOTED					
JOB LOCATION		FINISH OPTIONS					