

ASSEMBLY INSTRUCTIONS TRADITIONAL BENCH

STEP 1: PLACE THE 2 (OR 3 DEPENDING ON MODEL) “h” LEGS FACING UPRIGHT ON A LEVEL SURFACE. (ESTIMATE SPACING).

STEP 2: PLACE A 2” x 4” OVER THE CENTER SET OF HOLES ON THE SEAT OF THE “h” LEGS. SLIDE THE 2” x 4” TO ALIGN HOLES WITH THE CORRESPONDING HOLES IN THE “h” LEGS.

STEP 3: INSERT THE 4” CARRIAGE BOLTS THROUGH EACH HOLE IN THE 2” x 4” AND INTO THE “h” LEGS. PLACE A WASHER AND FLANGE NUT ONTO THE END OF EACH BOLT – **HAND TIGHTEN ONLY!!**

STEP 4: PLACE THE REMAINING 2” x 4’S ON THE SEAT OF THE “h” LEGS. REPEAT STEP 3.

NOTE: PROFILES MAY BE DIRECTIONAL AND YOU MAY NEED TO TURN THEM END-FOR-END IF THEY DO NOT LINE UP SQUARELY.





STEP 5: PLACE A 2” x 4” PROFILE OVER THE CENTER SET OF HOLES ON THE BACK OF THE “h” LEGS. SLIDE THE 2” x 4” TO ALIGN HOLES WITH THE CORRESPONDING HOLES OF THE “h” LEGS.

STEP 6: INSERT 4” CARRIAGE BOLTS THROUGH EACH HOLE IN THE PROFILE AND INTO THE “h” LEGS. PLACE A WASHER AND FLANGE NUT ONTO THE END OF EACH BOLT – **HAND TIGHTEN ONLY!!**

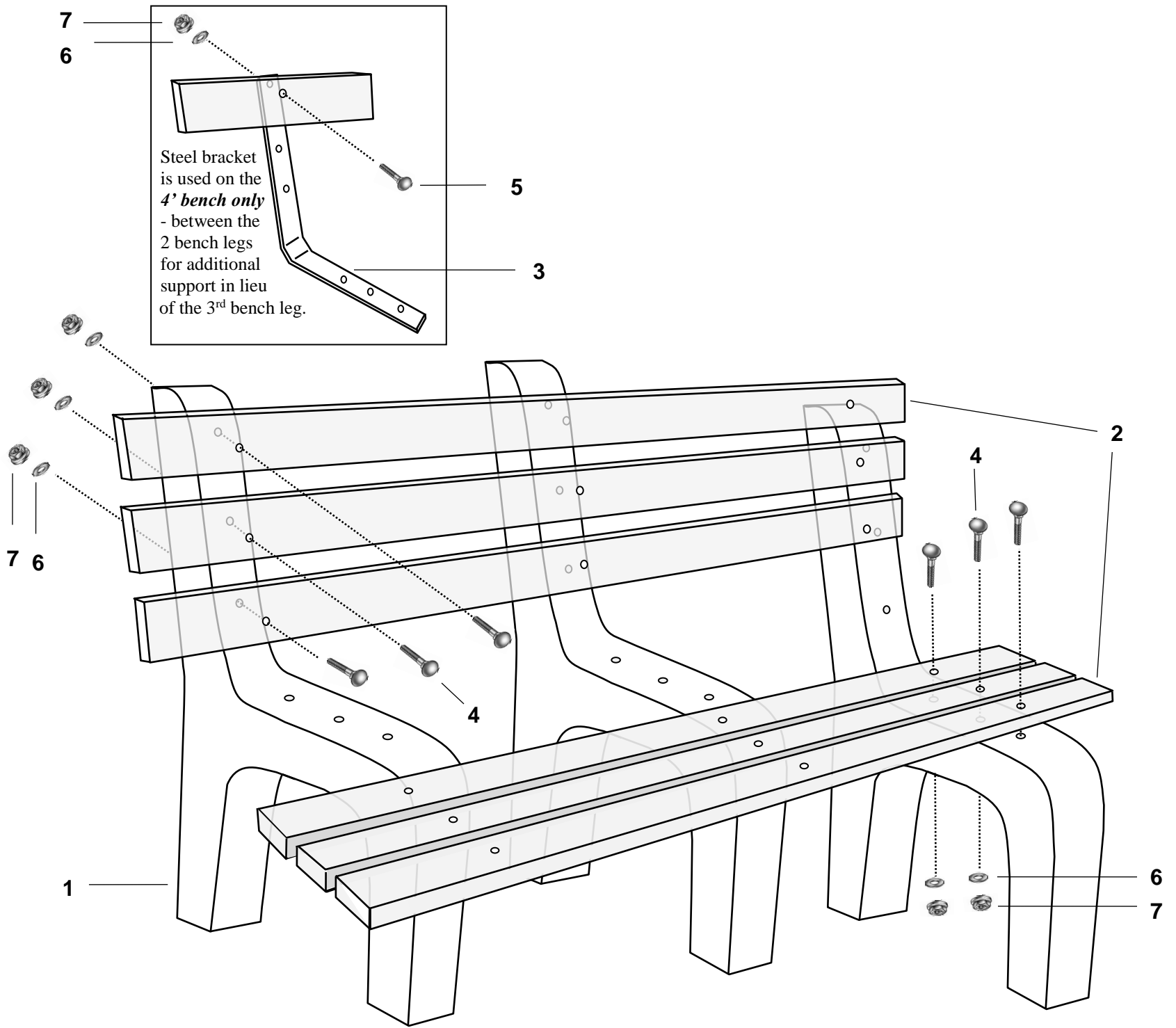
STEP 7: PLACE REMAINING 2” x 4” PROFILES ON THE BACK OF THE “h” LEGS. REPEAT STEP 6.

STEP 8: **FOR THE 4’ BENCH ONLY** – PLACE THE 1-1/2” x 18” STEEL BRACKET BEHIND THE CENTER HOLES ON THE BACK AND UNDER SEAT OF THE BENCH. PLACE 2” CARRIAGE BOLTS THROUGH PROFILES AND INTO BRACKET. PLACE A WASHER AND FLANGE NUT ONTO THE END OF EACH BOLT – **HAND TIGHTEN ONLY!!**

STEP 9: ONCE ALL BOLTS, WASHERS AND NUTS ARE IN PLACE, TIGHTEN SECURELY WITH A 3/8” DRIVE RATCHET WITH A 1/2” DEEP WELL SOCKET (SHIFTING YOUR BENCH WHERE NECESSARY TO INSURE A NEAT SQUARE APPEARANCE).

	4’	6’	
REF#	QTY	QTY	DESCRIPTION
1	2	3	“h” BENCH LEG
2	6	6	2” x 4” PROFILE
3	1		1-1/2” x 18” BENCH BRACKET
	H440	H460	HARDWARE KIT
4	12	18	 5/16” x 4” CARRIAGE BOLT
5	6		 5/16” x 2” CARRIAGE BOLT
6	18	18	 5/16” WASHER
7	18	18	 5/16” FLANGE NUT

Your 100% recycled plastic park bench will give you many years of pleasure and pride, knowing that you did your part in keeping plastic waste out of landfills and protecting our environment.



Steel bracket
is used on the
4' bench only
- between the
2 bench legs
for additional
support in lieu
of the 3rd bench leg.