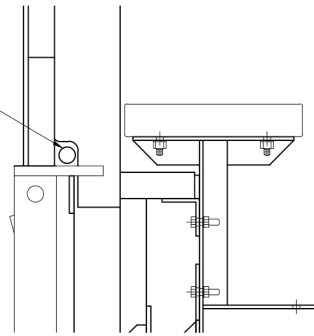
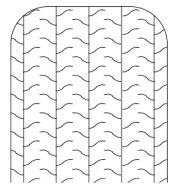


7/8"Ø SUPPORT ROD



DETAIL 'A'

ROWS 1-5

SEE PRINT TK-HVY02 (FIGURE #5)
FOR ROWS 6-10

FRONT

NOTE:
IF BLEACHER IS MORE THAN 5 ROWS,
MOVE REAR SECTION FIRST

CENTER BLEACHER FRAME

REMOVE (2) 3/8 BOLTS
TO TRANSPORT

DETAIL 'A'

TRANSPORT WHEEL ASSEMBLY

TRANSPORT WHEEL ASSEMBLY

TRANSPORT TONGUE & ATTACHMENTS
LOCATE NEAR CENTER
POINT OF FRAME
(FRONT TO REAR)

(FIGURE #4)

This drawing and all information contained herein is the property of NATIONAL RECREATION SYSTEMS, INC. and is not to be reproduced without express written permission of this manufacturer. We assume no responsibility for unauthorized use of this drawing. National Recreation Systems, Inc. is not responsible for local permits and occupancy requirements.

SCALE: N.T.S.
DATE: 12/12/01

APPROVED BY:

DRAWN BY: AAK

TITLE: HEAVY TRANSPORT KIT (TKH) ASSEMBLY (ROWS 1-5)

CUSTOMER:

DRAWING NUMBER: TK-HVY01