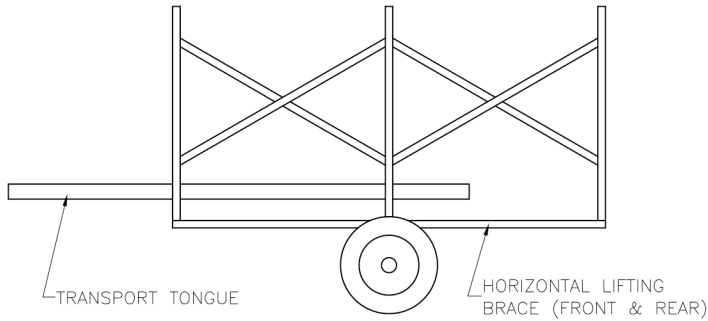
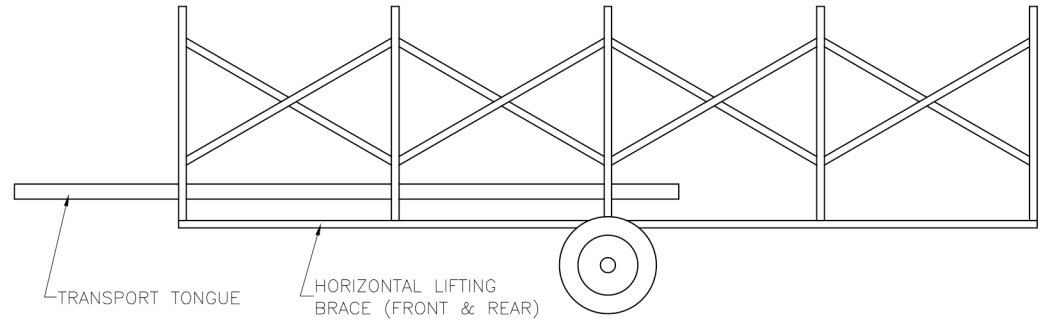


15'-0" WHEEL LOCATION

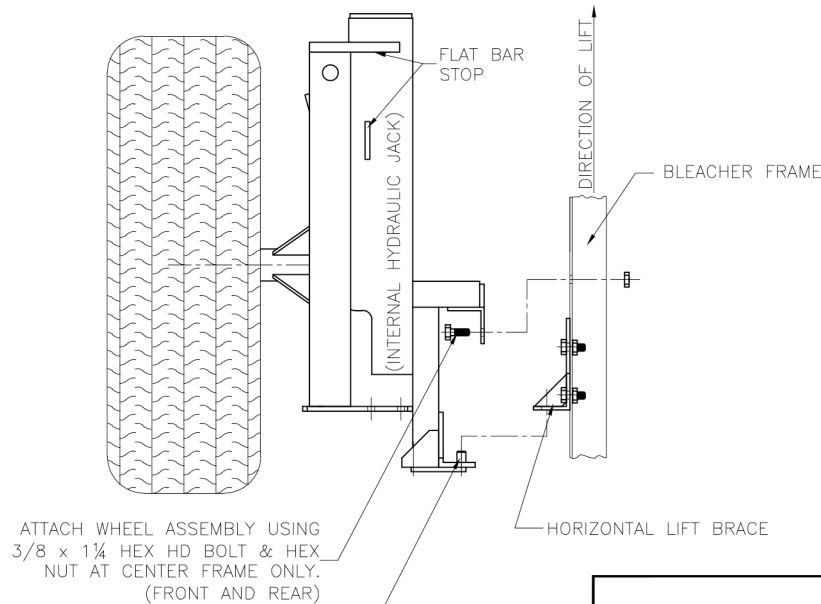


21'-0" & 24'-0" WHEEL LOCATION



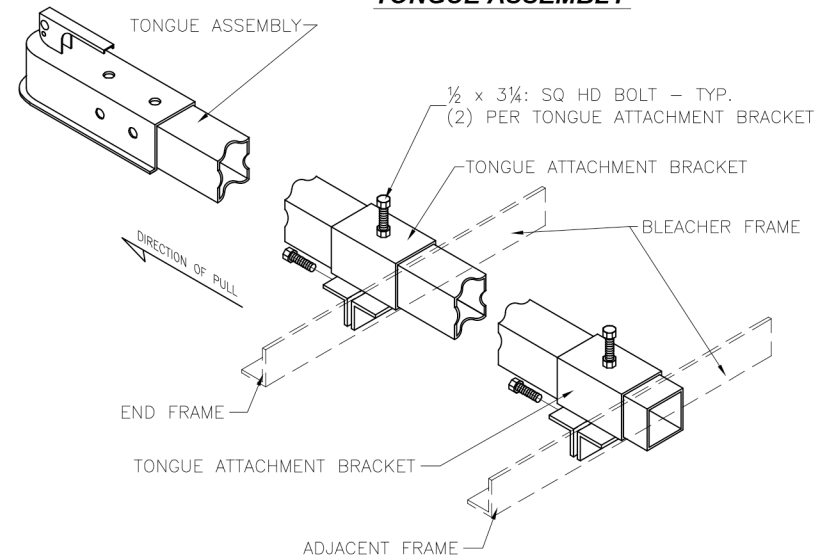
(FIGURE #2)

TRANSPORT WHEEL ASSEMBLY



(FIGURE #3)

TONGUE ASSEMBLY



(FIGURE #1)

This drawing and all information contained herein is the property of NATIONAL RECREATION SYSTEMS, INC. and is not to be reproduced without express written permission of this manufacturer. We assume no responsibility for unauthorized use of this drawing. National Recreation Systems, Inc. is not responsible for local permits and occupancy requirements.

SCALE: N.T.S.	APPROVED BY:	DRAWN BY: AAK
DATE: 12/12/01		
TITLE: HEAVY TRANSPORT KIT (TKH) ASSEMBLY		
CUSTOMER:	DRAWING NUMBER: TK-HVY00	