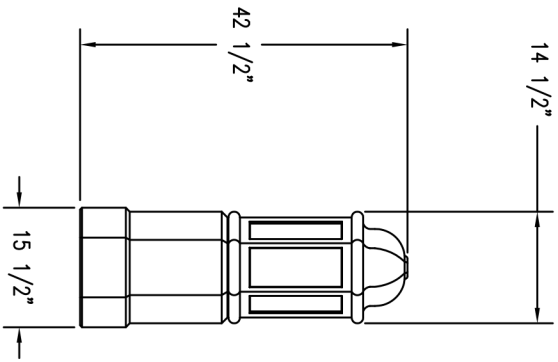
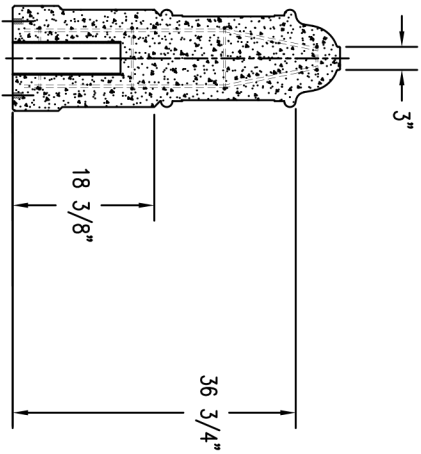




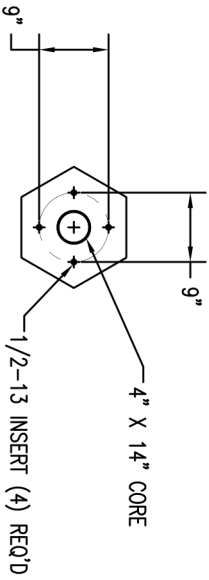
1 TOP VIEW



2 ELEVATION VIEW



4 CROSS SECTION



3 BOTTOM VIEW

REVISIONS			
NO.	NAME	DATE	NOTES
1			
2			
3			
4			
5			
6			
7			
8			

GENERAL NOTE:
 THESE DRAWINGS, SPECIFICATIONS AND OTHER INFORMATION AND DOCUMENTS ACCOMPANYING THEM ARE THE CONFIDENTIAL AND PROPRIETARY PROPERTY OF WILSON TILE, INC. THE DRAWINGS AND SPECIFICATIONS SHALL BE THE SOLE PROPERTY OF WILSON TILE, INC. THE PROPRIETARY INFORMATION AND DOCUMENTS AND SHALL REMAIN THE SOLE PROPERTY OF WILSON TILE, INC.

JOB NAME
 ADDRESS
 CITY, STATE ZIP

UNLESS OTHERWISE SPECIFIED
 DIMENSIONS ARE IN INCHES
 FRACTIONS 32/8

DRAWN BY: SK
DATE: 6/16/15
CO NUMBER: 7
WEIGHT: 363 LBS

PRODUCT NO.

TF 6092