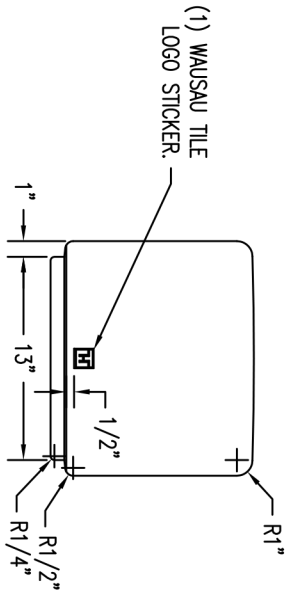
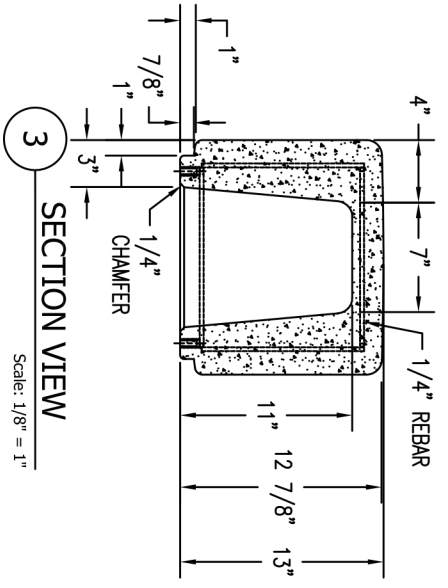


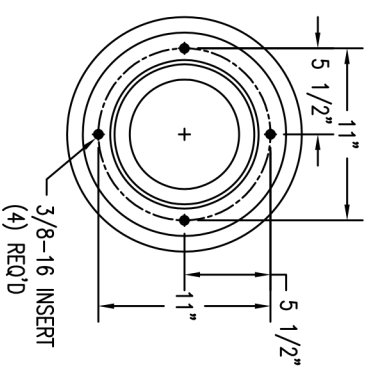
1 TOP VIEW
Scale: 1/8" = 1"



2 ELEVATION VIEW
Scale: 1/8" = 1"



3 SECTION VIEW
Scale: 1/8" = 1"



4 BOTTOM VIEW
Scale: 1/8" = 1"

REVISIONS						DRAWN BY		JOB		MATERIAL	
NO.	DATE	BY	NO.	DATE	BY	JOB NO.	MJS	LOCATION	WEIGHT	CONCRETE	ITEM NO.
1	5/4/10	PAM	4						155 LBS		TF5204
2			5								
3			6								

SCALE		DATE		DWG. NO.	
AS NOTED		11/21/08		1 OF 1	

UNLESS OTHERWISE SPECIFIED DIMENSIONS ARE IN INCHES TOLERANCES: ±1/8"	
FINISH OPTIONS	