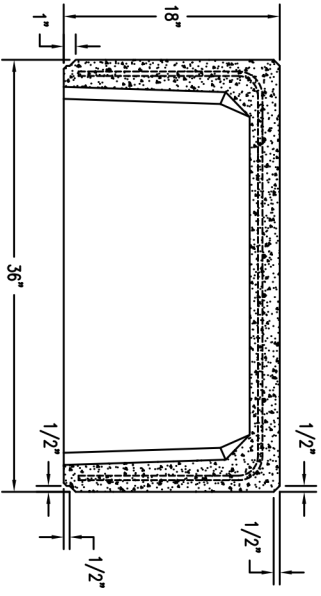
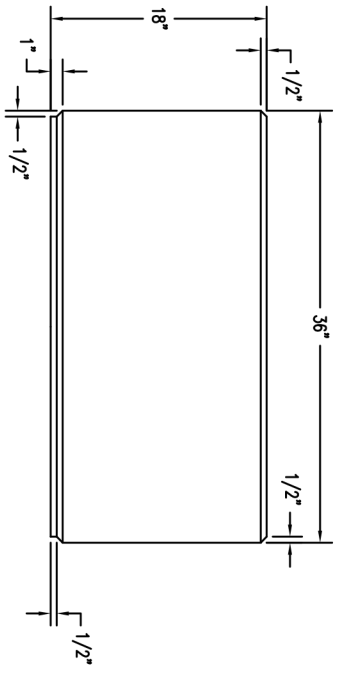


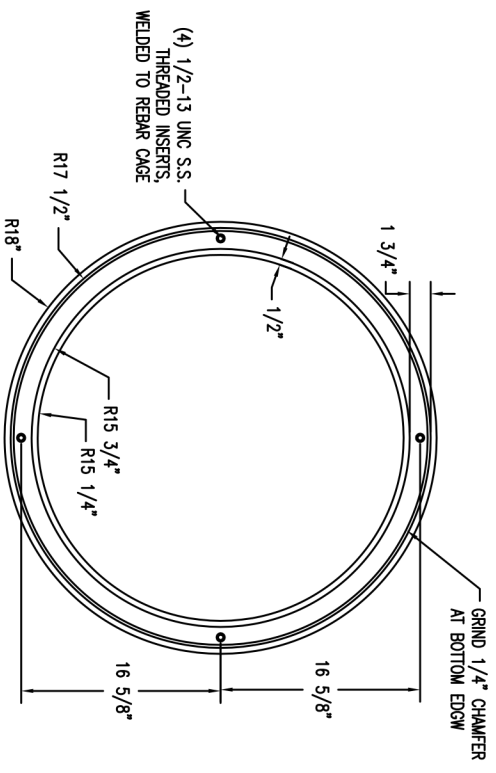
1 TOP VIEW
Scale: 1/8" = 1"



3 SECTION VIEW
Scale: 1/8" = 1"



2 ELEVATION VIEW
Scale: 1/8" = 1"



4 BOTTOM VIEW
Scale: 1/8" = 1"

REVISIONS						DRAWN BY		JOB		MATERIAL	
NO.	DATE	BY	NO.	DATE	BY	LBE	LOCATION	WEIGHT	CONCRETE	DATE	ITEM NO.
1			4					720 LBS		9-22-08	TF5118
2			5								
3			6								

SCALE AS NOTED		UNLESS OTHERWISE SPECIFIED TOLERANCES ± 1/8"	
FINISH OPTIONS		DATE 9-22-08	
		ITEM NO. TF5118	
		DWG. NO. 1 OF 1	