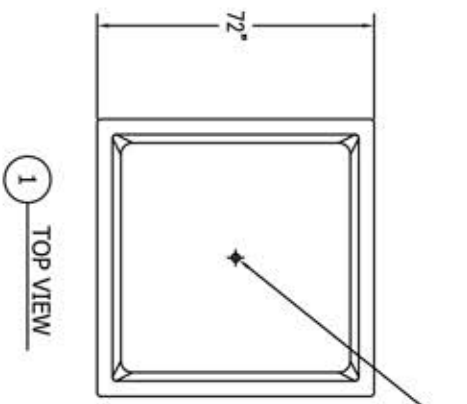
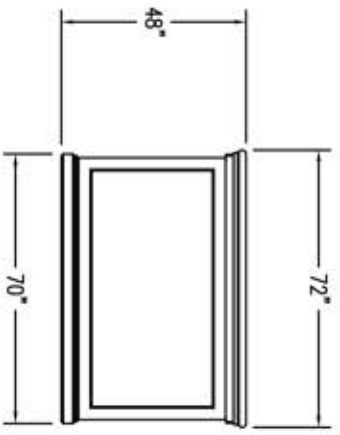


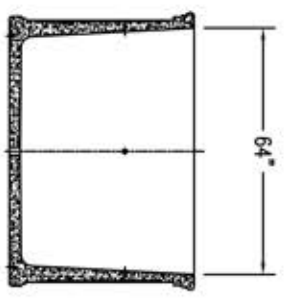
2" DIA. DRAIN HOLE



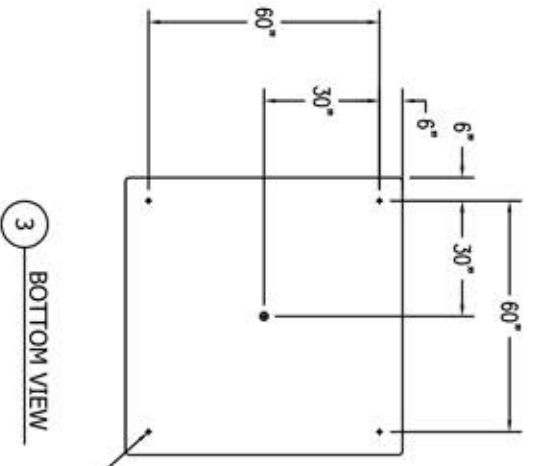
1 TOP VIEW



2 ELEVATION VIEW



4 CROSS SECTION



3 BOTTOM VIEW

(4) 1/2" UNC S/S INSERTS

REVISIONS		
NO.	DATE	WORKS
1		
2		
3		
4		
5		
6		
7		
8		

CONTRACTOR, ARCHITECT AND OTHER PROFESSIONAL AND OCCUPANTS ACCOMPANYING THEM ARE THE COMPETENT AND PROPERLY LICENSED PERSONNEL OF WISCONSIN. THE CONTRACTOR SHALL BE RESPONSIBLE FOR OBTAINING ALL NECESSARY PERMITS AND APPROVALS FROM THE LOCAL AUTHORITIES. THE CONTRACTOR SHALL BE RESPONSIBLE FOR OBTAINING ALL NECESSARY PERMITS AND APPROVALS FROM THE LOCAL AUTHORITIES. THE CONTRACTOR SHALL BE RESPONSIBLE FOR OBTAINING ALL NECESSARY PERMITS AND APPROVALS FROM THE LOCAL AUTHORITIES.

JOB NAME
ADDRESS
CITY, STATE ZIP

UNLESS OTHERWISE SPECIFIED DIMENSIONS ARE IN INCHES FRACTIONS 1/8"

DRAWN BY: SK
DATE: 7/22/15
CD NUMBER: 1
WEIGHT: 4.00 LBS

PRODUCT NO.
TF 4243