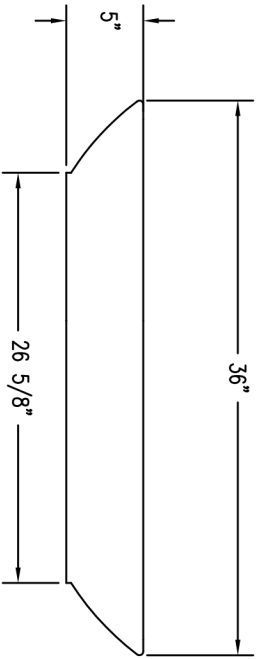


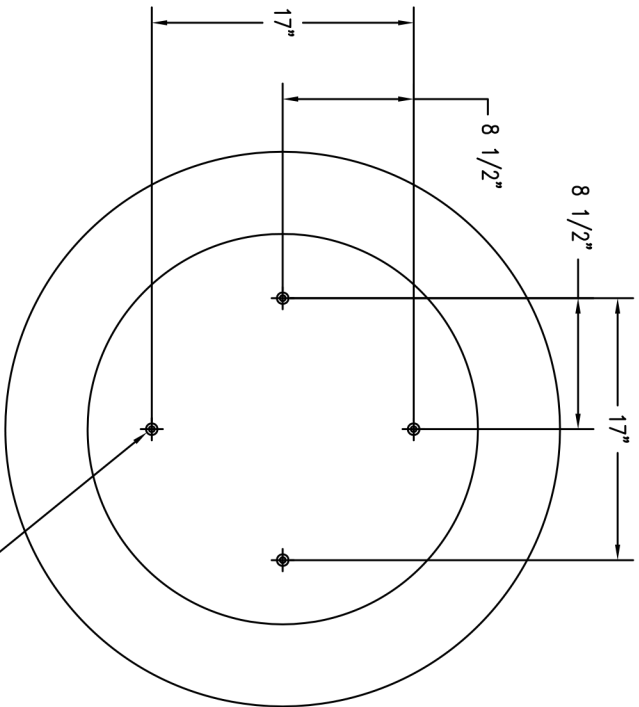
1 TOP VIEW



2 ELEVATION VIEW



4 CROSS SECTION



3 BOTTOM VIEW

3/8" STAINLESS THREADED INSERT (4) REQ'D

REVISIONS		
NO.	DATE	NOTES
1		
2		
3		
4		
5		
6		
7		
8		

GENERAL INFORMATION
 THESE DIMENSIONS AND OTHER INFORMATION AND DOCUMENTS ACCOMPANYING THEM ARE THE PROPERTY OF WILSON TILE, INC. THE DRAWINGS ARE NOT TO BE REPRODUCED OR COPIED IN ANY MANNER WITHOUT THE PRIOR WRITTEN APPROVAL OF WILSON TILE, INC. THE PROPRIETARY INFORMATION CONTAINED HEREIN IS AND SHALL REMAIN THE SOLE PROPERTY OF WILSON TILE, INC.

JOB NAME

ADDRESS
 CITY, STATE ZIP

UNLESS OTHERWISE SPECIFIED
 DIMENSIONS ARE IN INCHES
 FRACTIONS ±1/8"

DRAWN BY: SK

DATE: 8/6/15

CO NUMBER: ?

WEIGHT: 235 LBS

PRODUCT NO.

TF 4148