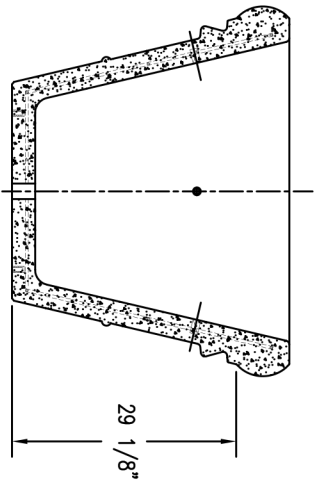
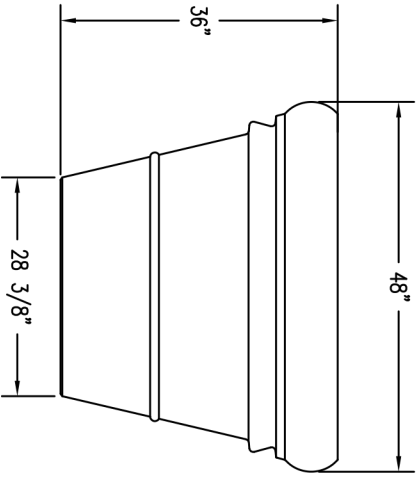


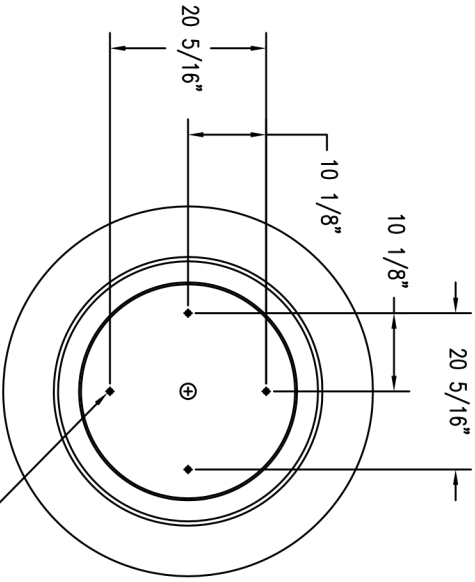
1 TOP VIEW



4 CROSS SECTION



2 ELEVATION VIEW



3 BOTTOM VIEW

(4) 3/8-16 UNC S.S.  
THREADED INSERTS

REVISIONS		
NAME	DATE	NOTES
1		
2		
3		
4		
5		
6		
7		
8		

GENERAL NOTE:  
THESE DRAWINGS, SPECIFICATIONS AND OTHER INFORMATION AND DOCUMENTS ACCOMPANYING THEM ARE THE CONFIDENTIAL AND PROPRIETARY PROPERTY OF WILSON TILE, INC. THE DRAWINGS AND SPECIFICATIONS SHALL BE THE SOLE PROPERTY OF WILSON TILE, INC. THE PROPRIETARY INFORMATION OF WILSON TILE, INC. SHALL REMAIN THE PROPERTY OF WILSON TILE, INC. AND SHALL NOT BE REPRODUCED OR TRANSMITTED IN ANY FORM OR BY ANY MEANS, ELECTRONIC OR MECHANICAL, INCLUDING PHOTOCOPYING, RECORDING, OR BY ANY INFORMATION STORAGE AND RETRIEVAL SYSTEM, WITHOUT THE WRITTEN APPROVAL OF WILSON TILE, INC. OWNER FOR USE ONLY ON THE PROJECT FOR WHICH IT WAS PREPARED. ANY ADDITIONAL USE SHALL REQUIRE THE WRITTEN APPROVAL OF WILSON TILE, INC.

JOB NAME

ADDRESS  
CITY, STATE ZIP

UNLESS OTHERWISE SPECIFIED  
DIMENSIONS ARE IN INCHES  
FRACTIONS 32/8

DRAWN BY: SK
DATE: 7/16/15
CO NUMBER: ?
WEIGHT: 1.700 LBS

PRODUCT NO.

TF 4123