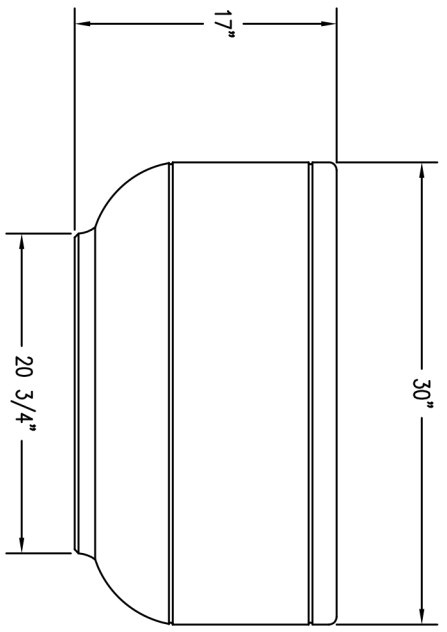
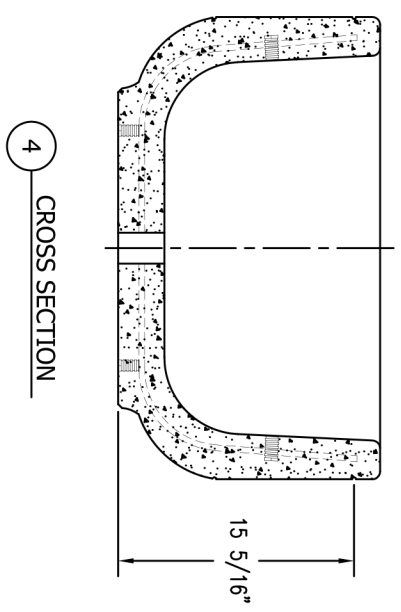


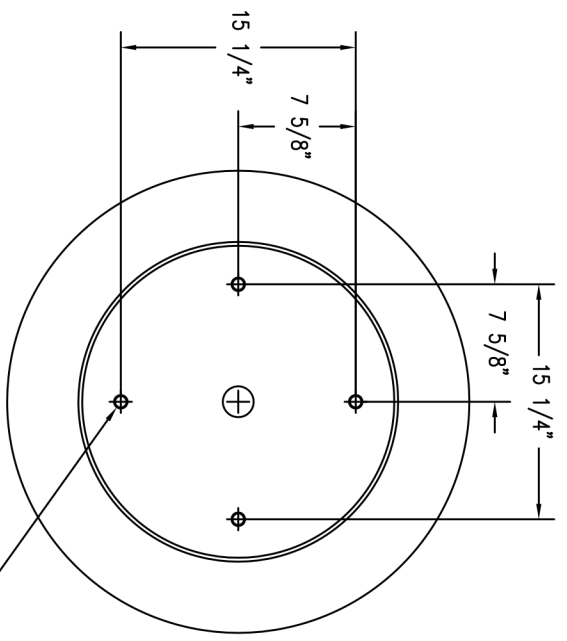
1 TOP VIEW



2 ELEVATION VIEW



4 CROSS SECTION



3 BOTTOM VIEW

(4) 1/2-13 INSERTS

REVISIONS		
NAME	DATE	NOTES
1		
2		
3		
4		
5		
6		
7		
8		

GENERAL NOTE:
 THESE DRAWINGS, SPECIFICATIONS AND OTHER INFORMATION AND DOCUMENTS ACCOMPANYING THEM ARE THE PROPERTY OF WALSU TILE, INC. THE DRAWINGS OR INFORMATION SHALL BE THE PROPERTY OF WALSU TILE, INC. THE PROGRAMMER INFORMATION AND DOCUMENTS AND SHALL REMAIN THE SOLE PROPERTY OF WALSU TILE, INC.

JOB NAME
 ADDRESS
 CITY, STATE ZIP

UNLESS OTHERWISE SPECIFIED
 DIMENSIONS ARE IN INCHES
 FRACTIONS 32/8

DRAWN BY: SK
 DATE: 7/8/15
 CD NUMBER: ?
 WEIGHT: 440 LBS

PRODUCT NO.
 TF 4080