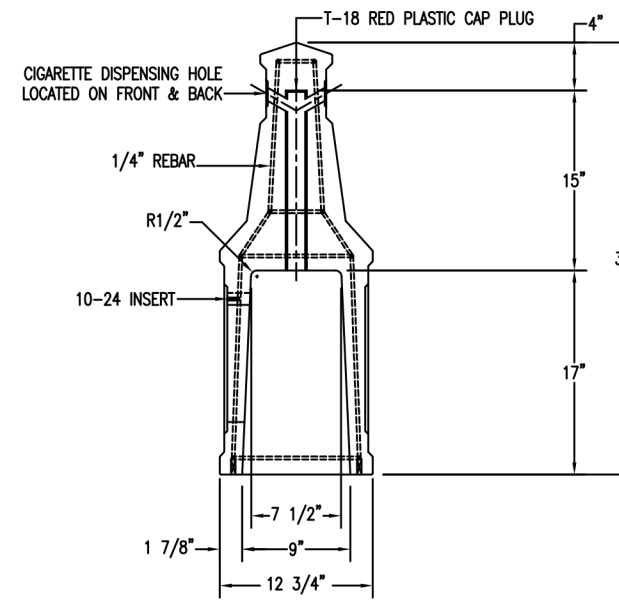
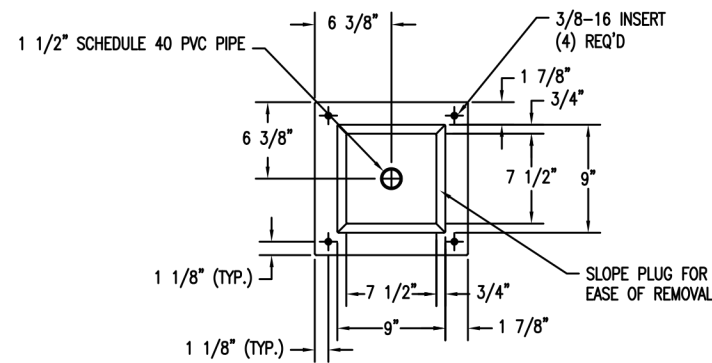


1 FRONT ELEVATION VIEW
Scale: 1 1/2" = 1'-0"



3 SECTION SIDE VIEW
Scale: 1 1/2" = 1'-0"



2 BOTTOM VIEW OF SNUFFER
Scale: 1 1/2" = 1'-0"

REVISIONS						DRAWN BY	JOB	MATERIAL
NO.	DATE	BY	NO.	DATE	BY	MJS	CONCRETE	
1			4				208 LBS.	
2			5			SCALE 1/8	UNLESS OTHERWISE SPECIFIED DIMENSIONS ARE IN INCHES ANGLES 30.5 2 PL ± 0.01 3 PL ± 0.005	
3			6				DATE 11/24/07 FINISH OPTIONS B, C, E DWG. NO. TF2053	