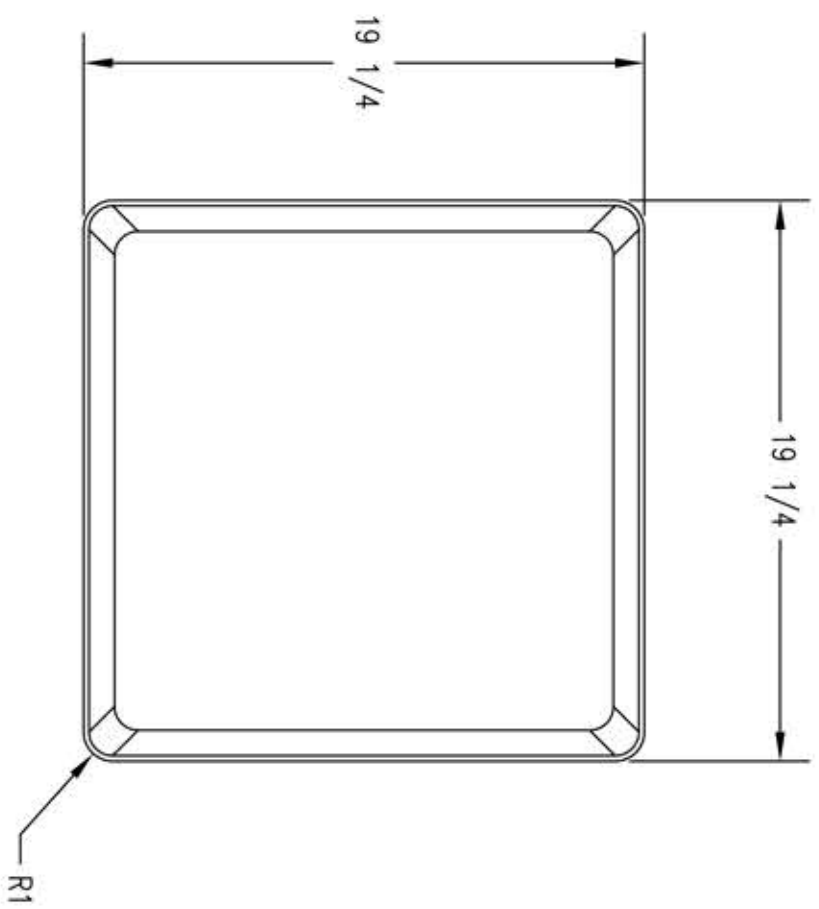


FRONT VIEW



TOP VIEW

REVISIONS						DRAWN BY	LBE	JOB NO.	42 GALLON LINER	MATERIAL
NO.	DATE	BY	NO.	DATE	BY	TITLE				
1			4			SCALE				
2			5			UNLESS OTHERWISE SPECIFIED DIMENSIONS ARE IN INCHES	DATE	3-30-09	FINISH OPTIONS	
3			6			CHECKED	2 IN. DIA. 3/4 GALLES		DWG. NO. TF1840	