

Model TB-1 Fold-down Surface Mount Traffic Barrier

SPECIFICATION
BULLETIN
#SPC-AM-021
REV. 03-11



Model TB/CY-1
Traffic Barrier
shown in upright
position to block
vehicles from passing
through an area.



Model TB/CY-1 Traffic Barrier
shown in lowered position to allow
authorized vehicles to pass.

- **3-1/2" Diameter 1/8" wall steel pipe post folds down to low clearance to allow vehicles to pass over it**
- **3/4" pin with padlock prevents unauthorized tampering**
- **Bright yellow powder coat finish with two reflective bands for high visibility**
- **10" square base plate with anchors for securing to hard paved surfaces**

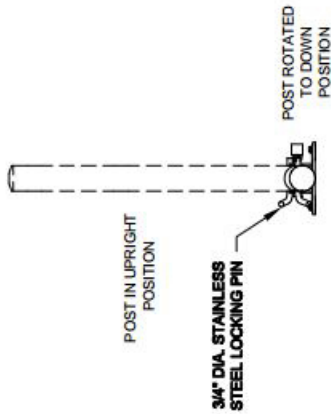
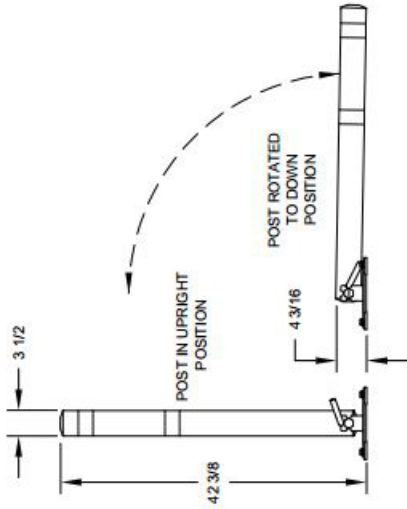
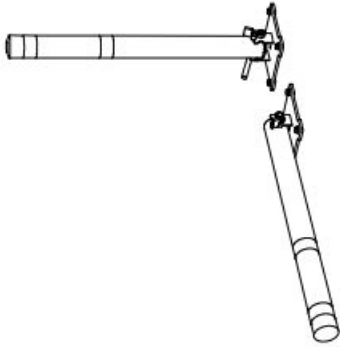
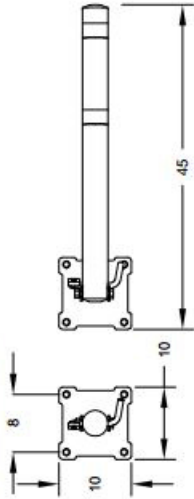
SPECIFICATIONS:

- **Model TB-1 Fold-down Traffic Barrier** is designed to be secured to hard paved surfaces to prevent unauthorized entry into an area. By removing a padlock and pin, the post folds down to the ground to allow authorized vehicles to pass over it.
- The post of the barrier is 3-1/2" dia. 1/8" wall steel pipe with top and bottom ends capped. Post pivots on a 3/4" stainless steel bolt attached to two 3/8" thick steel plate ears welded to a 3/8" x 10" x 10" steel base plate. Base plate has four 25/32" dia. holes for anchors.
- Locking pin is 3/4" dia. stainless steel bar with a 90 degree bend on one end as a handle. Other end of the pin has a hole for an included padlock. The locking pin fits into any of three notches in ears on base plate and through the post. One notch locks post in upright position. The other two notches lock the post in the lowered position to either side of the base.
- Upright height of the post is 42-3/8". In lowered position the post requires a minimum of 4-1/4" clearance under vehicles.
- **Standard:** Model TB-1 includes four 1/2" x 3" screw type concrete anchors, stainless steel locking pin, one brass padlock with keys, and two reflective decals.
- **Standard:** Post and base plate are high visibility yellow powder coated finish. Includes two reflective decals for nighttime visibility.
- **Optional:** Choice of colors of powder coat finish. See Specification Bulletin #SPC-CO-001.

AVAILABLE OPTIONS

Choice of colors of Powder Coated finish

CENTER TO CENTER
OF MOUNTING HOLES



ALL DIMENSIONS IN INCHES

TITLE MODEL TB-1 FOLD-DOWN TRAFFIC BARRIER

DRAWN BY
WWM

DATE 3-22-11

DWG. NO. AI-2006