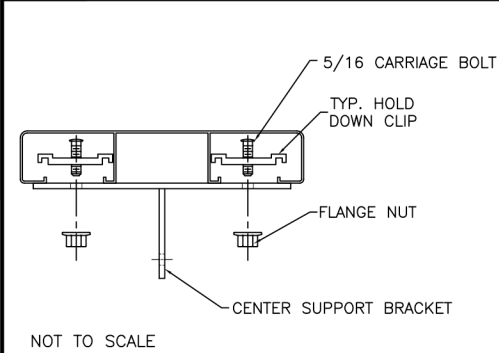
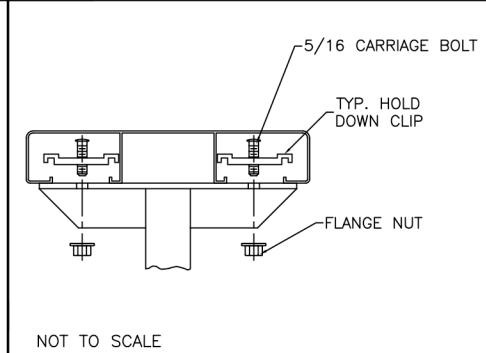


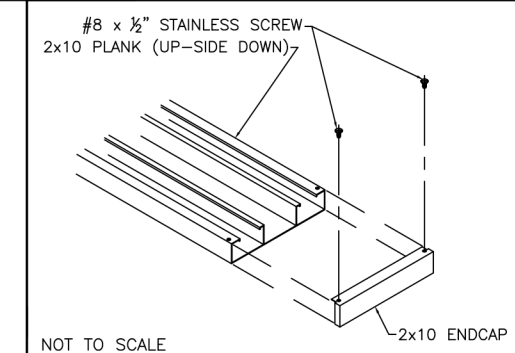
① CENTER SUPPORT ATTACHMENT



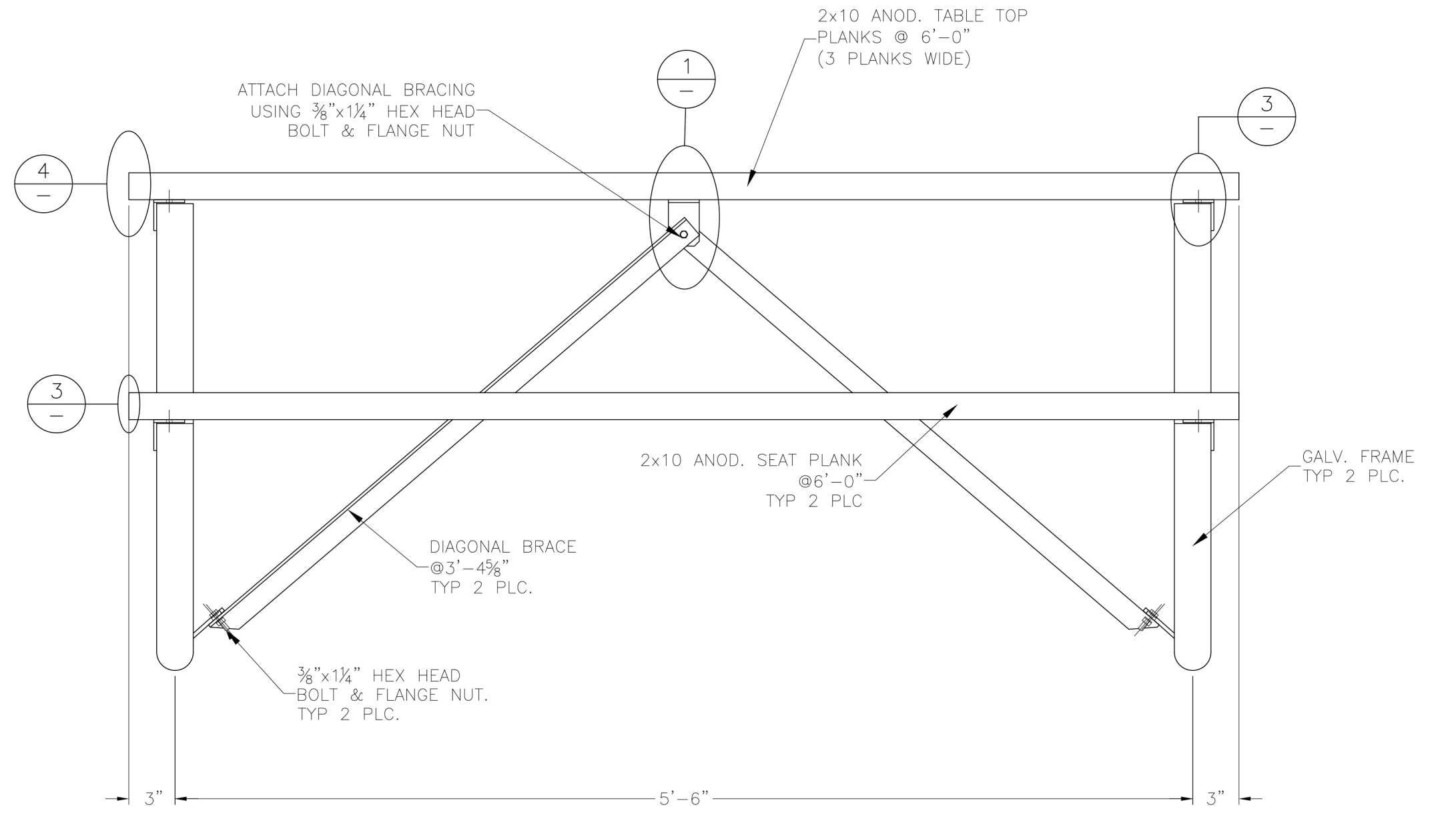
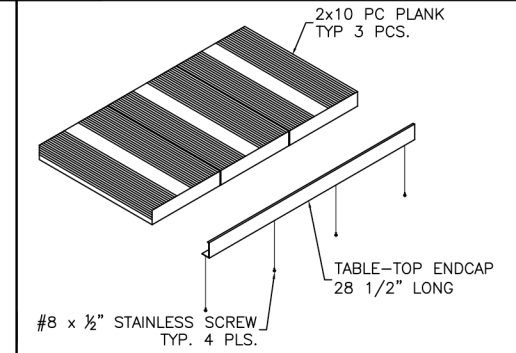
② TYP 2x10 PLANK ATTACHMENT



③ TYP 2x10 ENDCAP ATTACHMENT



④ TABLE-TOP ENDCAP ATTACHMENT



This drawing and all information contained herein is the property of NATIONAL RECREATION SYSTEMS, INC. and is not to be reproduced without the express written permission of this manufacturer. We assume no responsibility for unauthorized use of this drawing. NATIONAL RECREATION SYSTEMS, INC. is not responsible for local permits and occupancy requirements.

PROJECT/SITE: PT-HG06				
DESCRIPTION: 6'-0" GALV. PICNIC TABLE				
DRAWN BY: JMM	DATE: 1/3/20	REVISION: (R)	SCALE: N.T.S.	SHEET NUMBER: PT.1