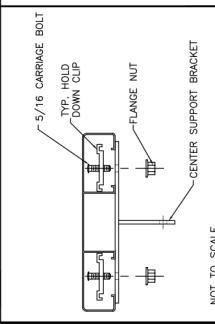
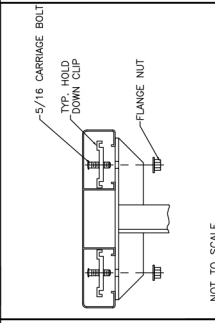


⊕ CENTER SUPPORT ATTACHMENT



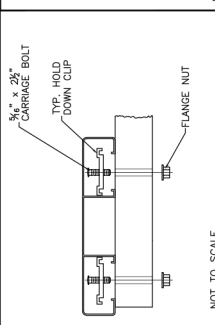
NOT TO SCALE

⊕ TYP. 2x10 PLANK ATTACHMENT



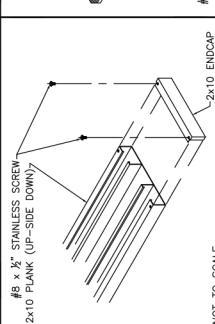
NOT TO SCALE

⊕ TYP. 2x10 PLANK ATTACHMENT



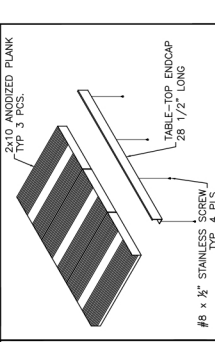
NOT TO SCALE

⊕ TYP. 2x10 ENDCAP ATTACHMENT

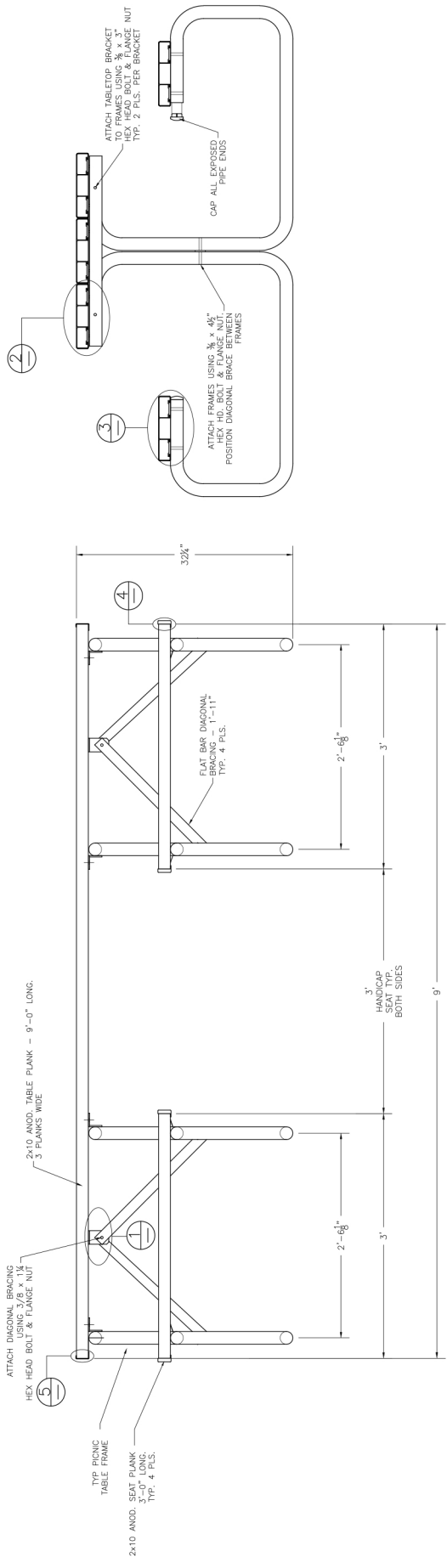


NOT TO SCALE

⊕ TABLE-TOP ENDCAP ATTACHMENT



NOT TO SCALE



This drawing and all information contained herein is the property of NATIONAL RECREATION SYSTEMS, INC. and is not to be reproduced without the express written permission of this manufacturer. We warrant the material for use only for the purpose of this drawing. NATIONAL RECREATION SYSTEMS, INC. is not responsible for local permits and occupancy requirements.

MODEL: PT-AP09HC
DESCRIPTION: 9'-0" HC PICNIC TABLE
DRAWN BY: _____ DATE: 9/11/23 REVISION: _____ SCALE: N.T.S. SHEET NUMBER: CS.1

