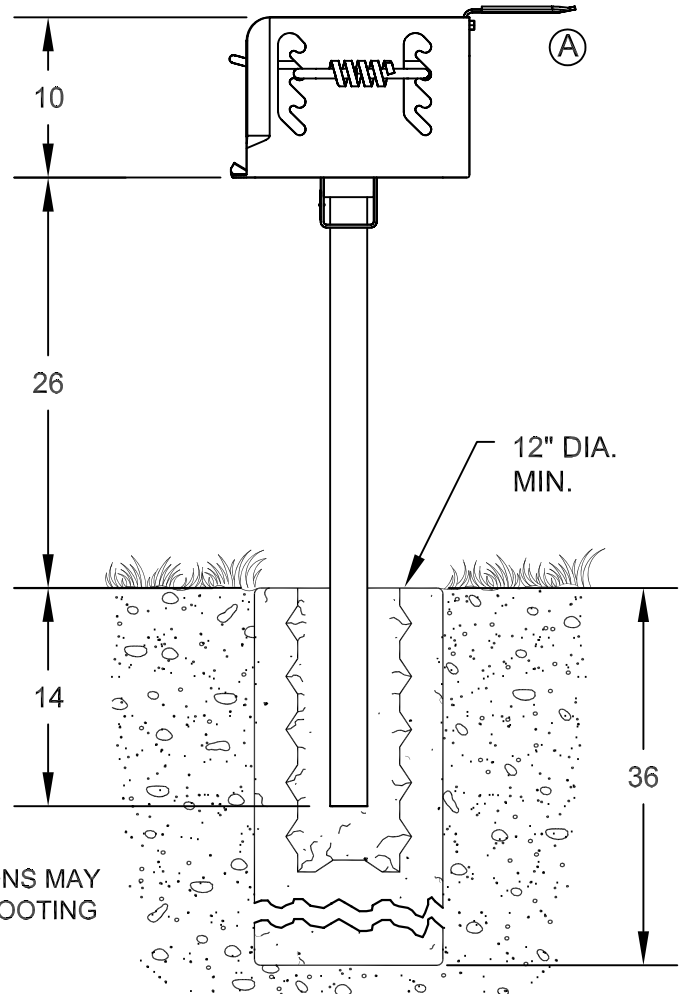
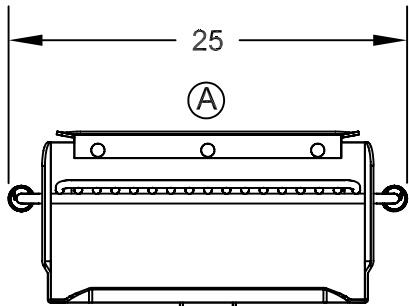
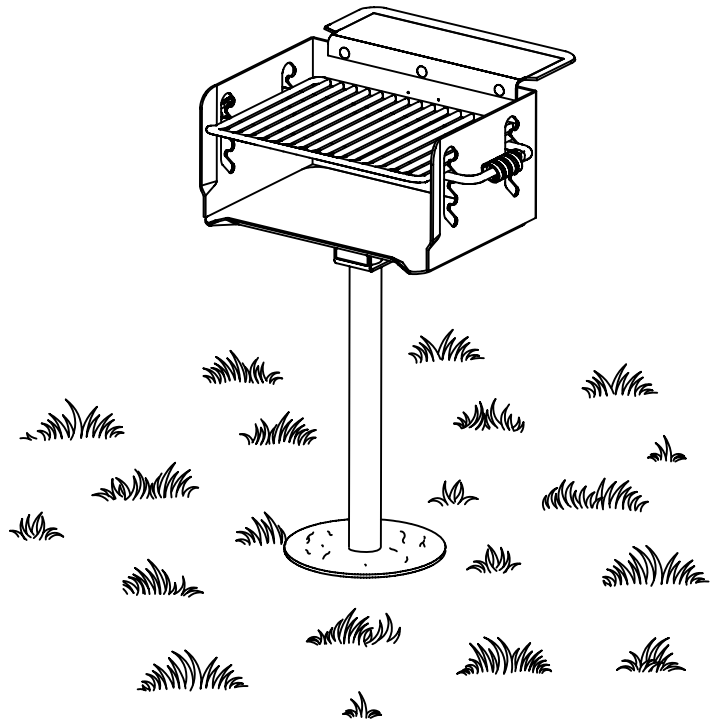


Ⓐ OPTIONAL BACK UTILITY SHELF
- ADD /S TO MODEL NO.



NOTE:
LOCAL SOIL CONDITIONS MAY
REQUIRE A LARGER FOOTING

ALL DIMENSIONS IN INCHES



TITLE NS-20 PARK GRILL SHOWN WITH B6S BASE
& OPTIONAL UTILITY SHELF

DRAWN BY JCT

DATE 7-3-01

DWG. NO. AI-1426