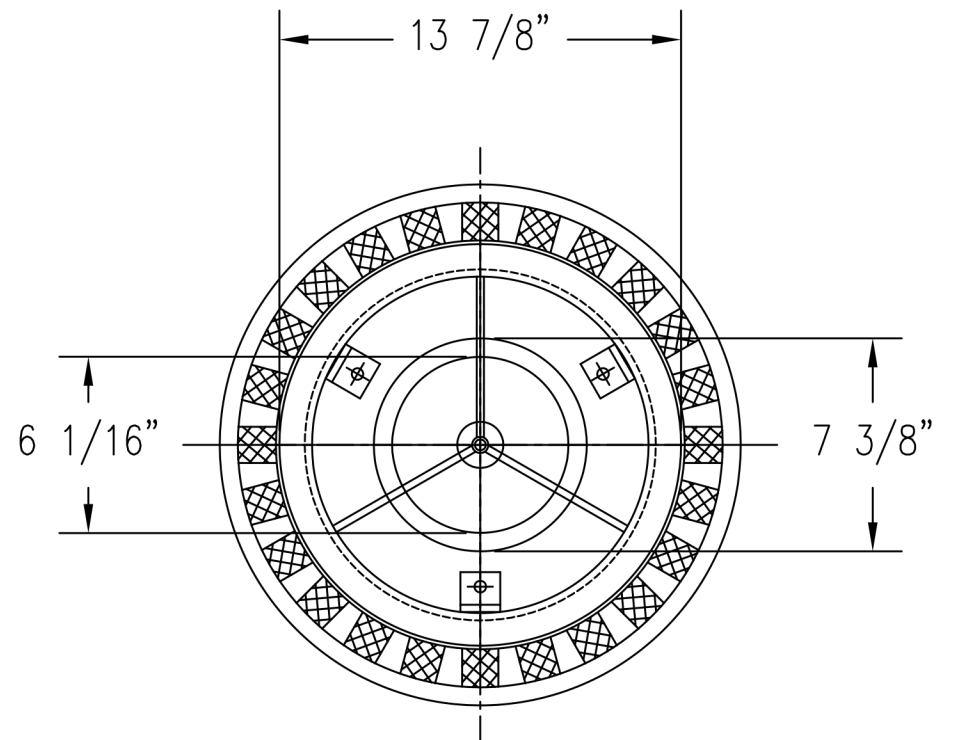


FRONT VIEW



TOP VIEW

REVISIONS						DRAWN BY	JOB	MATERIAL
NO.	DATE	BY	NO.	DATE	BY	L.BE	JOB NO.	WEIGHT
1			4			TITLE		
2			5			SCALE	UNLESS OTHERWISE SPECIFIED DIMENSIONS ARE IN INCHES 2 PL. ±0.01 3 PL. ±0.005	DATE 2-23-09
3			6			CHECKED		FINISH OPTIONS
								DWG. NO. MF4005