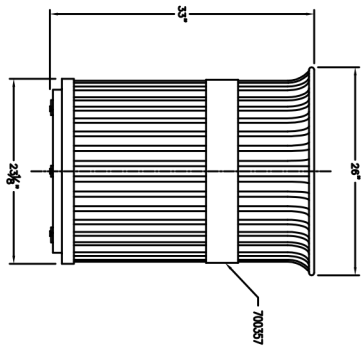
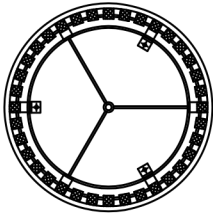


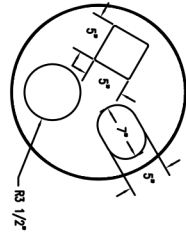
TOP VIEW



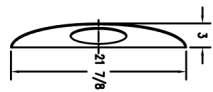
FRONT VIEW



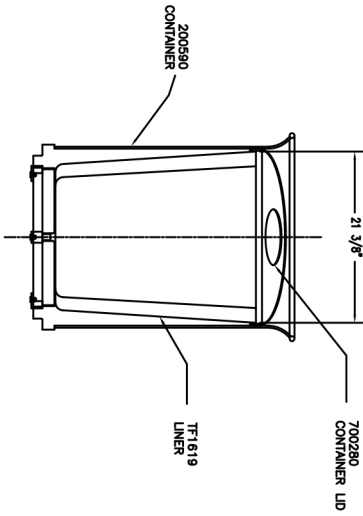
BOTTOM VIEW



LID TOP VIEW



LID SIDE VIEW



SECTION VIEW

REVISIONS				DRAWN BY		L.B.C.		JOB		MATERIAL	
NO.	DATE	BY	NO.	DATE	BY	NO.	DATE	NO.	DATE	NO.	DESCRIPTION
1			4								
2			5								
3			6								

DATE	4-10-08
SCALE	AS SHOWN
DESIGNED BY	216 3488 316 4488
WEIGHT	14.9 LBS
PART NO.	MF-3211