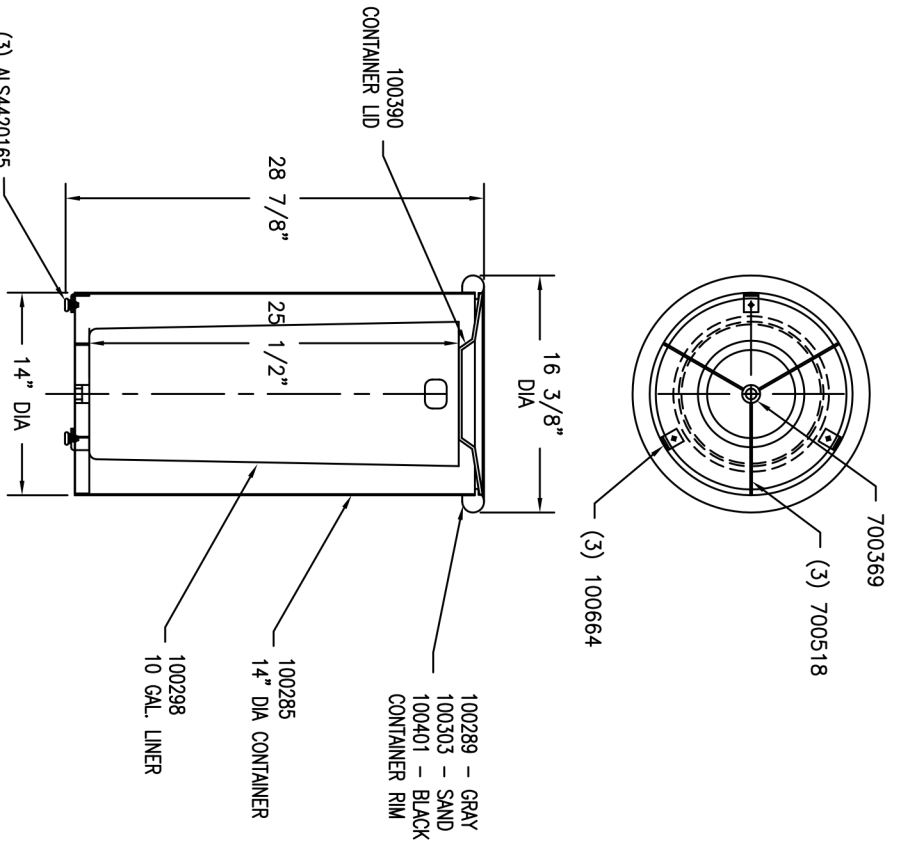


(3) ALS4420165
 1/4-20X.165 GRIP AL INSERT AVK
 (3) 400029
 FLOOR GLIDE 1/4-20 X 1



REVISIONS				DRAWN BY: LJC				JOB NO.		MATERIAL	
NO.	DATE	BY	THRU	NO.	DATE	BY	THRU	NO.	DATE	BY	THRU
1				4				SCALE			
2				5				CHECKED			
3				6							

DATE	5-4-08
TIME	11:30 AM
SCALE	AS SHOWN
PROJECT	SI 2010