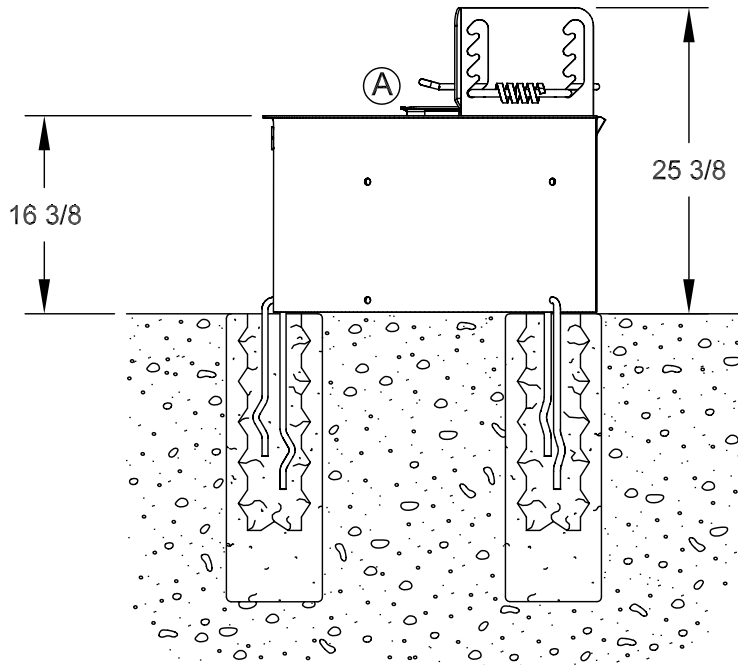
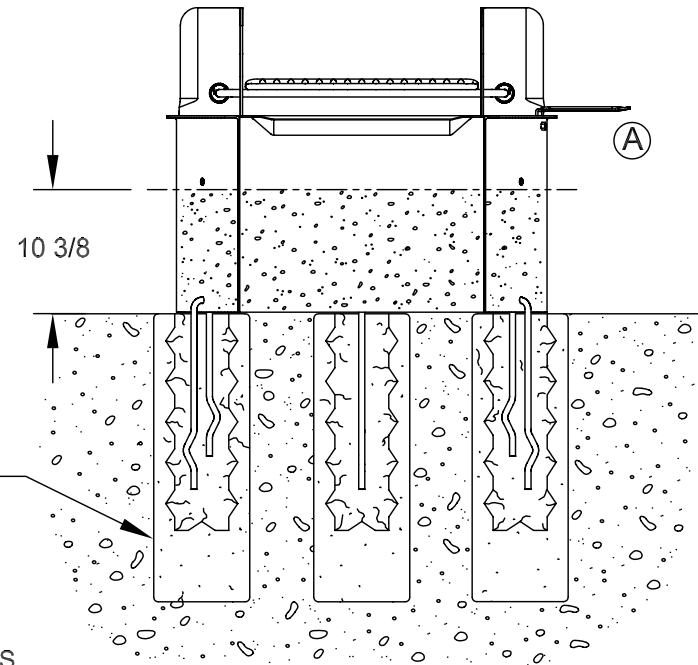


(A) OPTIONAL UTILITY SHELF - ADD /S TO MODEL NUMBER



FILL WITH COARSE AGGREGATE FILL TO 10-3/8" ABOVE GROUND LEVEL (CONFORMS TO ADA GUIDELINES OF MIN 9" HEIGHT ABOVE GROUND FOR FIRE BASE)



ALL DIMENSIONS IN INCHES



DRAWN BY
WWM

TITLE M-32/17/PA MULTI-LEVEL WHEELCHAIR ACCESSIBLE FIRERING WITH PIN ANCHORS
-SHOWN WITH OPTIONAL UTILITY SHELF

DATE 11-14-01

DWG. NO. AI-1410