

# Flush Box Hydrant

## MODEL M-V476

3/4" FREEZE RESISTANT,  
FLUSH-MOUNTED BOX HYDRANT  
WITH HINGED LID AND VACUUM BREAKER

### STANDARD FEATURES

Model M-V476 box hydrant provides water access that is inconspicuous and unobtrusive. The top of the unit is installed flush with the surrounding surface, and all working parts are located below grade. The hydrant may be installed in pavement, sod or concrete. The unit is furnished with a hinged lid, which is opened for access to the hose outlet and closed when not in use. A loose key serves to operate the hydrant. To provide freeze resistant functionality, the valve is located under ground at the specified depth of bury. The hydrant box and lid are iron castings, and the bottom connection, valve and hose outlet are solid-brass castings. Brass vacuum breaker is code-approved and non-removable. Field serviceable parts are easily accessible.

### SUGGESTED SPECIFICATIONS

Hydrant shall be Murdock-Super Secur model M-V476 freeze resistant box hydrant.

Unit is to be installed with top of unit flush with surrounding surface and shall be furnished with hinged lid.

Valve shall be located under ground at specified depth of bury to ensure freeze resistant capability.

Hydrant box and lid shall be fabricated of heavy-duty, grey iron castings. Box and lid shall be finished with a heavy coat of oil-based black enamel.

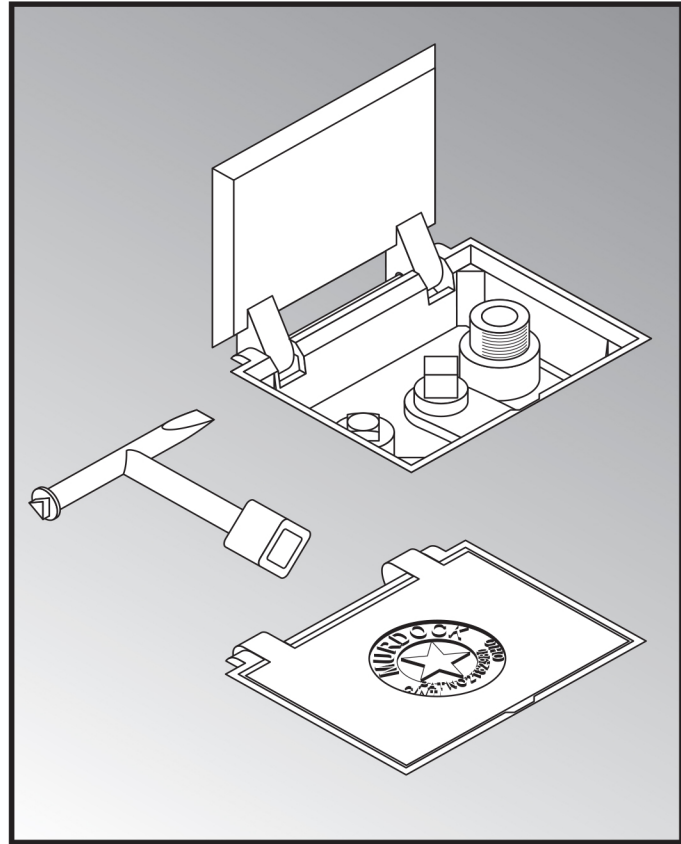
Valve, stirrup and hose outlet shall be fabricated of solid-brass castings. All solid-brass castings shall conform to ASTM standards B61 and B62. Lead-free castings are used in all waterways.

Outer casing and internal water supply line shall be fabricated of steel pipe.

Cast-aluminum key shall be furnished loose. Key shall be used to operate hydrant.

Unit shall be furnished with 3/4" water supply bottom connection.

Contractor shall ensure that hydrant is installed properly.



Standard Model: M-V476

### DEPTH OF BURY *(additional costs may be incurred)*

2 ft. (61 cm)	5 ft. (152.4 cm)
3 ft. (91.4 cm)	6 ft. (182.9 cm)
4 ft. (121.9 cm)	Other _____

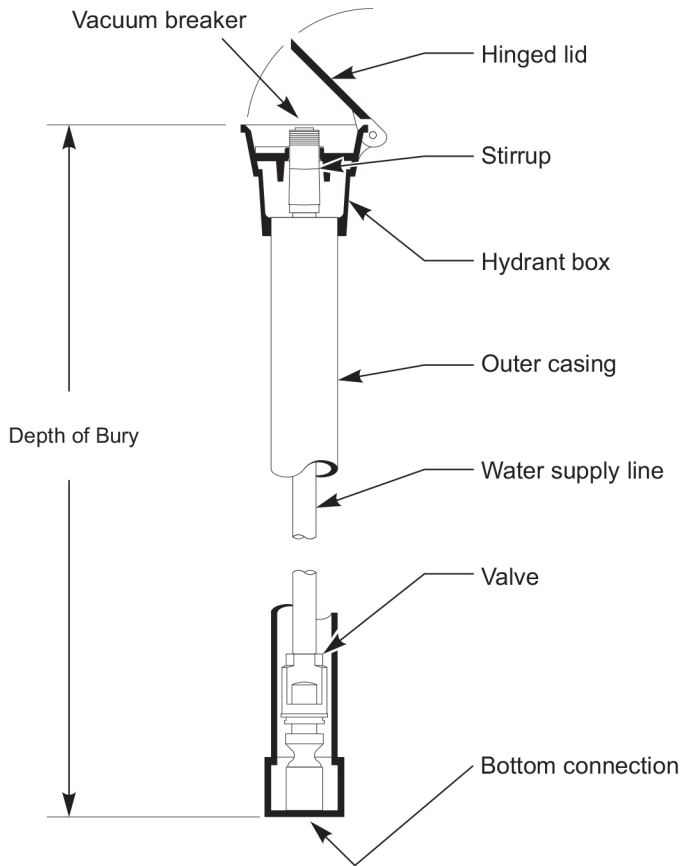
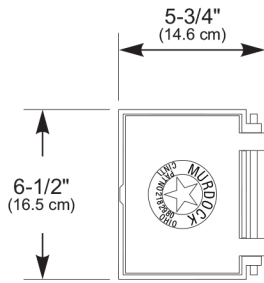
### OPTIONS *(additional costs may be incurred)*

NONE

# Flush Box Hydrant

## MODEL M-V476

3/4" FREEZE RESISTANT, FLUSH-MOUNTED  
BOX HYDRANT WITH HINGED LID  
AND VACUUM BREAKER



SELECTION SUMMARY & APPROVAL FOR MANUFACTURING	Model Number & Options _____	Quantity _____
	Company _____	
	Contact _____	Title _____
	Signature (Approval for Manufacturing) _____	Date _____