

INSTALLATION INSTRUCTIONS FOR M-PS PET SHOWER

Important: Read all instructions and refer to local codes prior to installation.

- It is recommended to include a supply stop appropriate located on the supply line.
- An in-line PRV installed on the supply line is recommended to ensure a working water pressure of 40 - 60 psi.
- Supply line must be flushed of all foreign materials such as pipe dope, chips, etc.
- Piping and valve must be drained prior to being subjected to freezing temperatures.

Prepare trench for water supply. At fountain location prepare hole to trench depth and large enough for a person to work in. Lay supply line into trench and above ground allowing extra line to be trimmed during hook up, refer to detail for roughs.

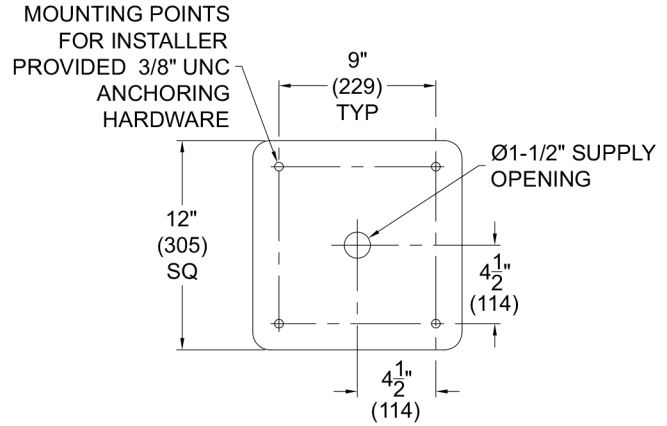
Refill trench and hole, compacting back fill as required. Leave sufficient depth in hole to accommodate concrete pour, minimum 4" recommended. **NOTE:** Refer to local code to ensure appropriate slab thickness.

Prepare slab area surrounding fountain spreading and compacting gravel as necessary. Prepare form approximately 1-1/2" diameter to protect supply stub outs. Protect exposed supply line openings and to prevent damage to equipment or to prevent supply line from becoming filled with soil or debris. Then pour concrete, ensure concrete is flat and level.

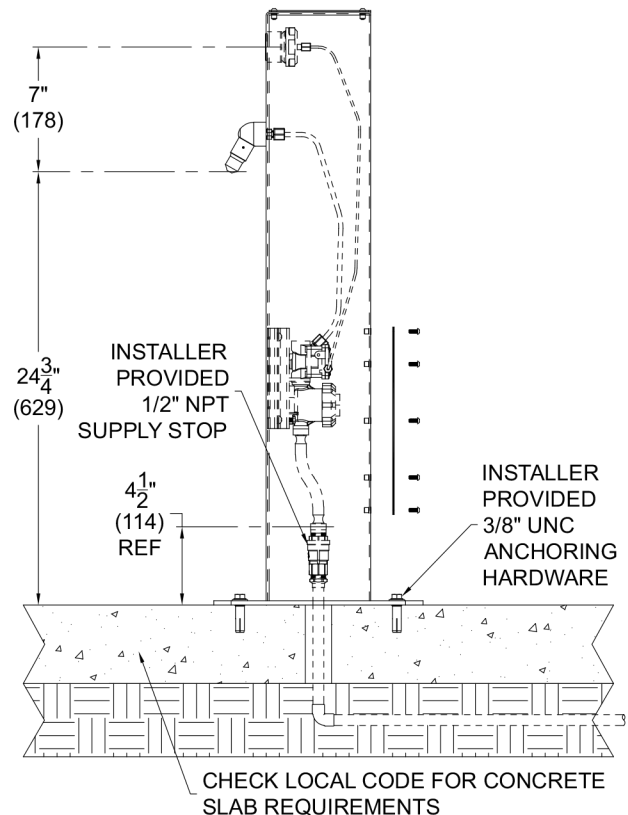
Once concrete has cured, install floor anchors, provided by installer, per anchoring manufacturers procedures. Align mounting points on the fountain to the mounting anchors in the concrete and secure fixture to the slab using the installer provided mounting hardware.

Through access panel make up connection to the fountain's 1/2" NPTM supply inlet.

To ensure plumb installation, lay a bubble level on fountain pedestal and adjust using shims or washers until the unit is level. To test operation of shower, depress activation pushbutton and check all connections for leaks.



MOUNTING BASE DETAIL



GENERAL NOTES:
1. ALL DIMENSIONS ARE IN INCHES (MM).

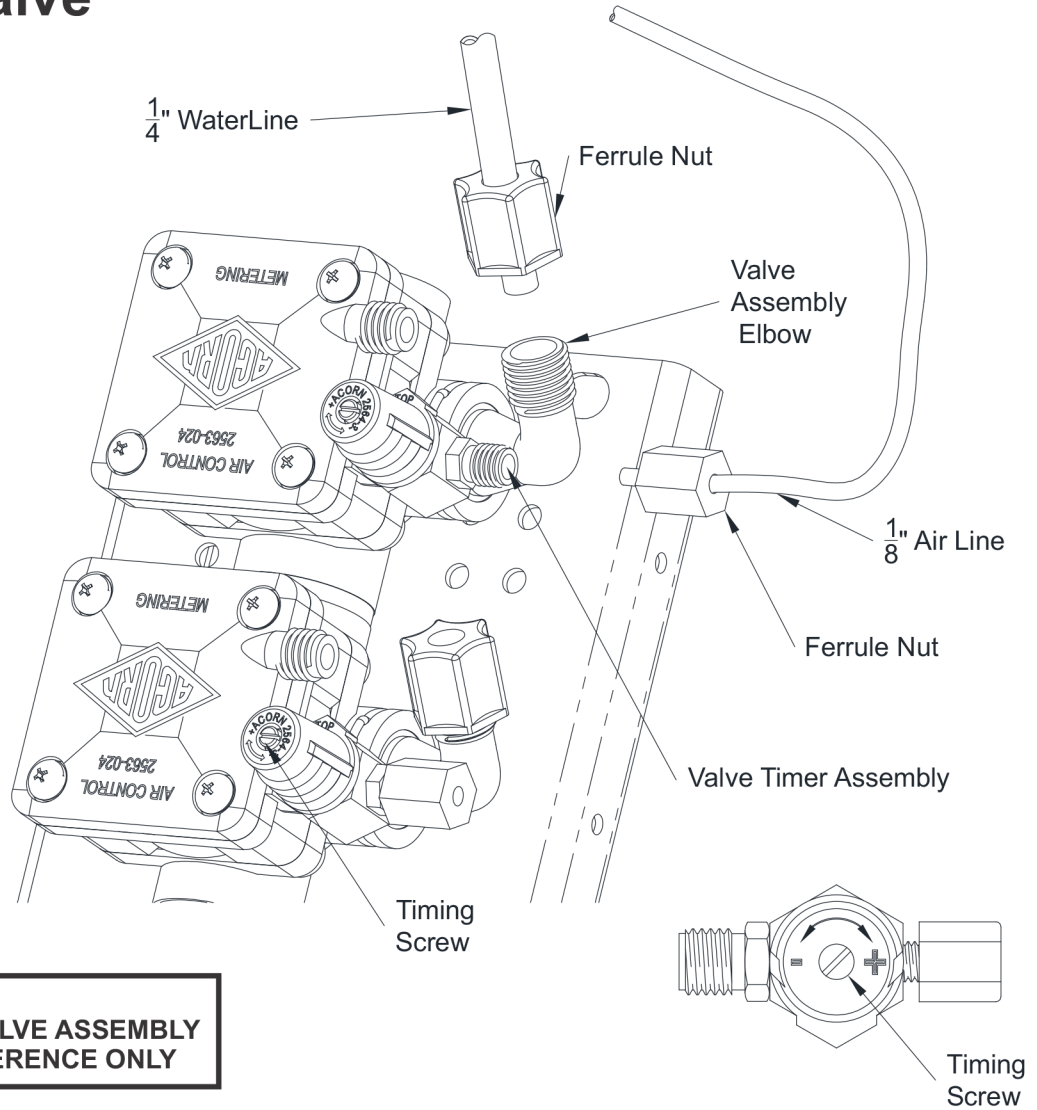
VALVE SPECIFICATIONS:
MINIMUM/MAXIMUM PRESSURE:
30/100 PSI

FOR FREEZE RESISTANT OPTION REFER TO -FRU MANUAL #9938-340-0M1

Please visit www.murdockmfg.com for most current specifications.

INSTALLATION INSTRUCTIONS FOR M-PS PET SHOWER

Metering Valve



NOTE:
MANIFOLED VALVE ASSEMBLY
SHOWN FOR REFERENCE ONLY

! IMPORTANT

Timing is adjustable from 5-60 Seconds and is accomplished by rotating Timing Screw. Turning the Screw Clockwise increases while Counterclockwise decreases.

Note: Maximum recommended working water pressure is 100 PSI; Maximum Water Temperature is 130° F; Maximum Outlet Temperature is recommended at 105°F.

Warning: Prior to making installation Supply Lines must be flushed of all foreign material such as Pipe Dope, Chips, Solder, ETC... Valve must be drained prior to being subject to Freezing Temperatures.

Please visit www.murdockmfg.com
for most current specifications.