

# Classic Series

## MODEL M-C76D OLD STYLE BI-LEVEL DRINKING FOUNTAIN

### STANDARD FEATURES

Model M-C76D is a drinking fountain of Victorian-era design. This dual arm fountain has a bowl mounted on each arm and meets ADA requirements for wheelchair users. The fountain includes a polished, cast brass bowl and a stainless steel bubbler operated by separate stainless steel pushbutton control. Standard model is seasonal, not freeze resistant and includes a protective, high gloss, black enamel finish. Heavy-duty cast iron construction with cast brass bowl ensures trouble-free reliability. Field-serviceable components are easily accessible.

### SUGGESTED SPECIFICATIONS

Drinking fountain shall be Murdock model M-C76D. Unit shall be furnished with two arms and one fountain bowl mounted per arm.

Pedestal and arms shall be a heavy duty iron casting and base of pedestal shall have four mounting holes. Pedestal shall be finished with a heavy grade of oil-based black enamel.

Bowl shall be round, solid brass casting. Unit shall be activated by self-closing pushbutton, needing less than 5 pounds of force, which activates an internally mounted valve with adjustable stream regulator controlling the water flow. Bubbler shall be stainless steel and operate on a water pressure range of 30 - 105 psig. All solid brass castings shall conform to ASTM standards B61 and B62. Unit shall conform to ANSI/NSF 61-9, and Public Law 111-380.



**Standard Model:** M-C76D

### OPTIONS

*(additional costs may be incurred)*

- |   |   |
|---|---|
| <input type="checkbox"/> - FRU2         | Underground freeze-resistant valve for two bowls <sup>1</sup>   |
| <input type="checkbox"/> - FRU3         | Underground freeze-resistant valve for three bowls <sup>1</sup> |
| <input type="checkbox"/> - PF           | Pet fountain with pushbutton valve <sup>1</sup>                 |
| <input type="checkbox"/>                | Chrome plated cast brass bowl                                   |
| <input type="checkbox"/>                | Powder-coated cast brass bowl                                   |
| <input type="checkbox"/>                | Polished brass bubbler  |
| <input type="checkbox"/> - <b>Black</b> | Pedestal color black  |
| <input type="checkbox"/> - <b>Green</b> | Pedestal color green  |

#### Options Notes:

<sup>1</sup> See separate option sheet.

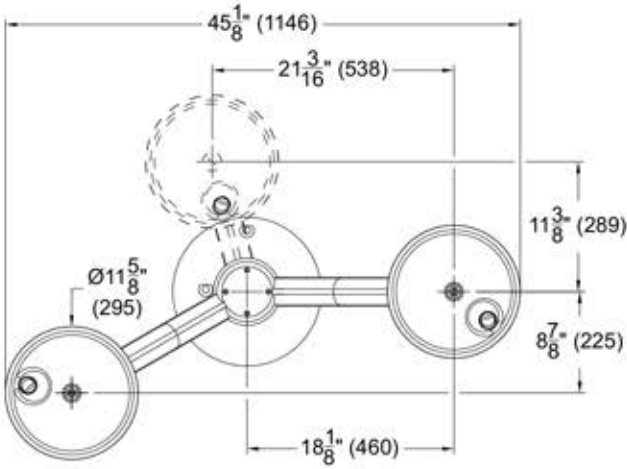
<sup>2</sup> This option is not available freeze-resistant.

Custom color finishes available upon request.

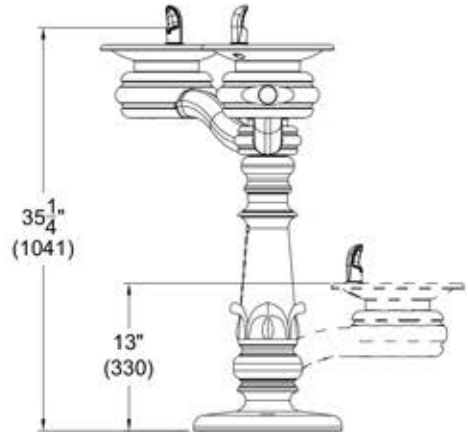
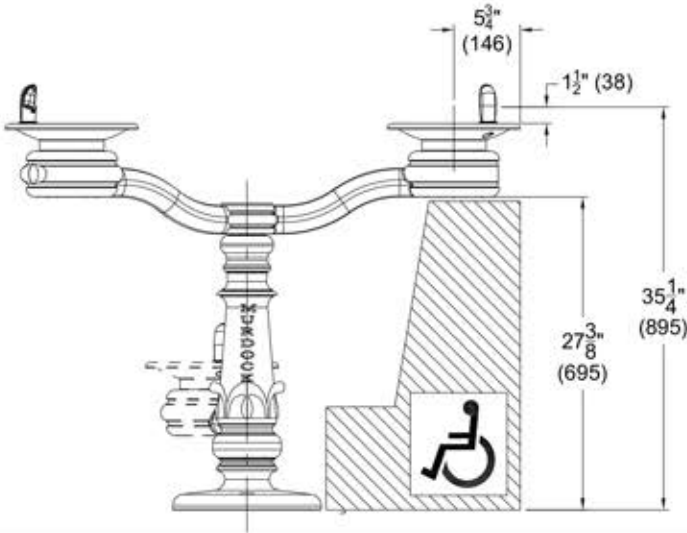
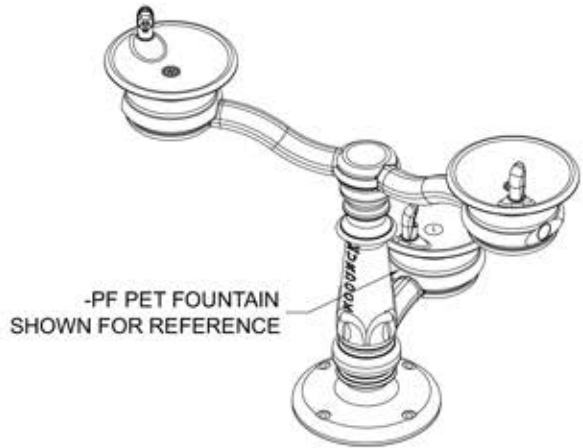
# Classic Series

## MODEL M-C76D OLD STYLE

### BI-LEVEL DRINKING FOUNTAIN



\* Valve specifications:  
Minimum/Maximum Pressure  
30 to 100 psi



Murdock Mfg.™ warrants that its products are free from defects in material or workmanship under normal use and service for a period of one year from date of shipment. Murdock's liability under this warranty shall be discharged solely by replacement or repair of defective material, provided Murdock™ is notified in writing within one year from date of shipment, F.O.B. Industry, California.

SELECTION SUMMARY & APPROVAL FOR MANUFACTURING	Model Number & Options _____	Quantity _____
	Company _____	
	Contact _____	Title _____
	Signature (Approval for Manufacturing) _____	Date _____