

Classic Series

MODEL M-C76C OLD STYLE DRINKING FOUNTAIN WITH BOWL ON PEDESTAL

STANDARD FEATURES

Model M-C76C is a drinking fountain of Victorian-era design. This unit has one pedestal mounted bowl. The fountain includes a polished, cast brass bowl and a stainless steel bubbler operated by separate stainless steel pushbutton control. Standard model is seasonal, not freeze resistant and includes a protective, high gloss, black enamel finish. Heavy-duty cast iron construction with cast brass bowl ensures trouble-free reliability. Field-serviceable components are easily accessible.

SUGGESTED SPECIFICATIONS

Drinking fountain shall be Murdock model M-C76C. Unit shall be furnished with one fountain bowl mounted on the pedestal.

Pedestal shall be a heavy duty iron casting and base of pedestal shall have four mounting holes. Pedestal shall be finished with a heavy grade of oil-based black enamel.

Bowl shall be round, solid brass casting. Unit shall be activated by self-closing pushbutton, needing less than 5 pounds of force, which activates an internally mounted valve with adjustable stream regulator controlling the water flow. Bubbler shall be stainless steel and operate on a water pressure range of 30 - 105 psig. All solid brass castings shall conform to ASTM standards B61 and B62. Unit shall conform to ANSI/NSF 61-9, and Public Law 111-380.



Standard Model: M-C76C

OPTIONS

(additional costs may be incurred)

- | | |
|---|--|
| <input type="checkbox"/> - FRU1 | Underground freeze-resistant valve for one bowl ¹ |
| <input type="checkbox"/> | Chrome plated cast brass bowl |
| <input type="checkbox"/> | Powder-coated cast brass bowl |
| <input type="checkbox"/> | Polished brass bubbler |
| <input type="checkbox"/> - Black | Pedestal color black |
| <input type="checkbox"/> - Green | Pedestal color green |

Options Notes:

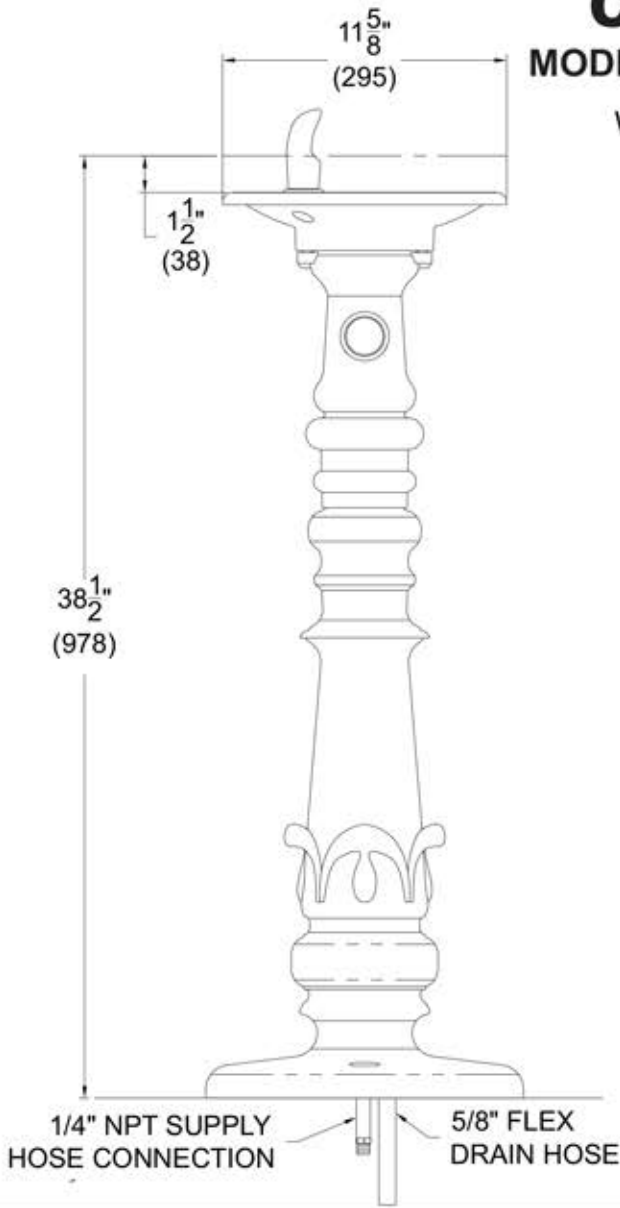
¹ See separate option sheet.

² This option is not available freeze-resistant.

Custom color finishes available upon request.

Classic Series

**MODEL M-C76C OLD STYLE
DRINKING FOUNTAIN
WITH BOWL ON PEDESTAL**



--

SELECTION SUMMARY & APPROVAL FOR MANUFACTURING	Model Number & Options _____	Quantity _____
	Company _____	
	Contact _____	Title _____
	Signature (Approval for Manufacturing) _____	Date _____

INSTALLATION INSTRUCTIONS FOR FOUNTAIN M-C76C

Refer to local codes before starting work. Prepare trench for water supply line and waste line (if required). At fountain location prepare hole to trench depth and large enough for a person to work. Lay supply and waste into trench and above grade allowing extra line length to be trimmed during hook-up.

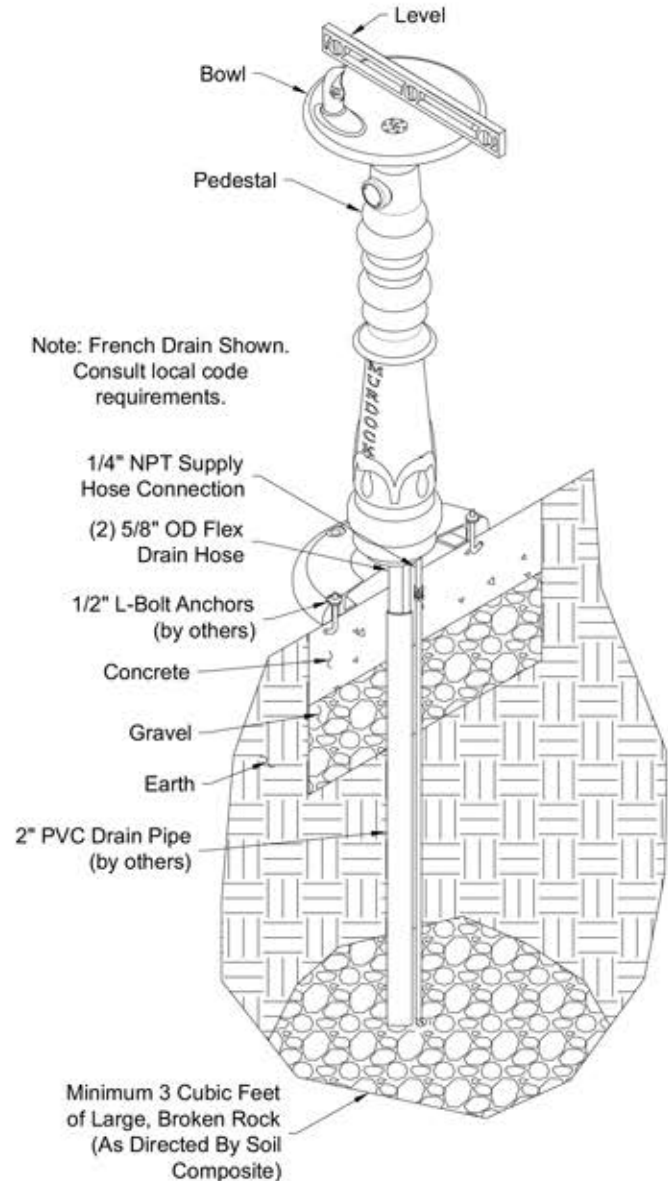
Depending on code and design requirements, drain may be open, French or sanitary connection. For open drain, place a minimum of three cubic feet of large round rock under drain opening. Local soil conditions may require more rock for drainage. Refill trench and hole, compacting back fill as required. Leave sufficient depth in hole to accommodate concrete.

Prepare the slab area surrounding fountain spreading and compacting gravel as necessary. Prepare form approximately 6" square to protect supply and waste stub outs, fix 1/2" L-bolt anchors by others in position arranging L-bolts according to pattern indicated and pour concrete to grade. Leave enough thread for mounting base. Ensure concrete top surface is flat and level. If concrete has cured use appropriate 1/2" concrete anchoring hardware by others following the manufacturer's installation recommendations. After concrete has cured, purge supply line thoroughly prior to making up supply and waste connections to fountain.

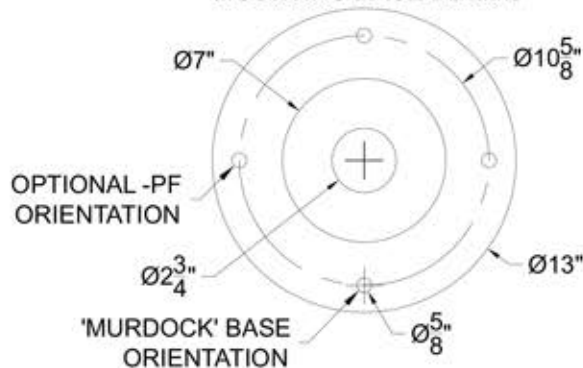
Support fountain above mounting location to make up flexible supply and waste connections and lower into position aligning anchoring studs to pedestal mounting holes. Secure pedestal to slab.

To ensure plumb installation, lay a bubble level on fountain bowl and adjust using shims or washers until unit is level.

For freeze resistant option refer to -FRU manual #9938-340-0M1.



MOUNTING BASE DETAIL



* Valve specifications:
 Minimum/Maximum Pressure
 30 to 100 psi.

MAINTENANCE INSTRUCTIONS

All normal maintenance is done from above ground.

❖ Always shut off water supply when doing any maintenance.

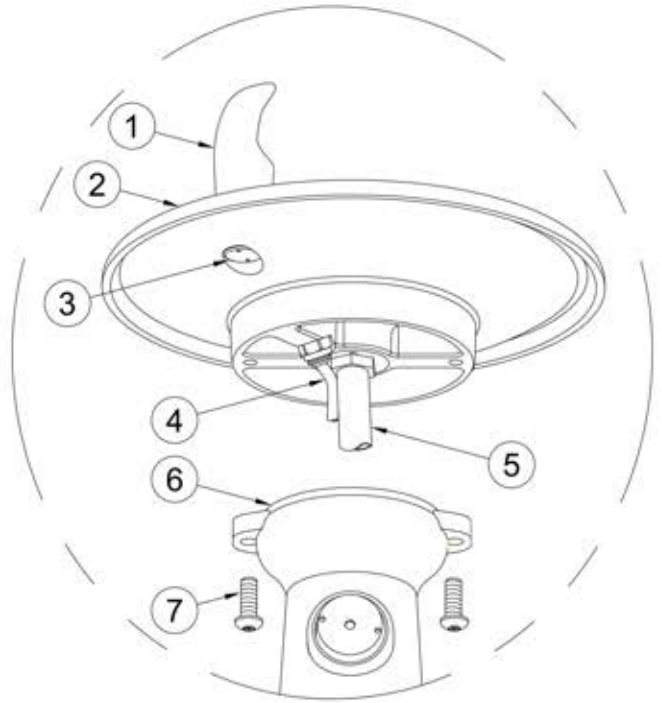
❖ **To remove pedestal mounted pushbutton assembly** remove bowl then disconnect water inlet and drain flex hose. Once bowl is loose place aside where it won't get damaged.

❖ **To remove inlet and outlet lines** from push-in fitting ports of valve body. Use a spanner wrench to remove pushbutton and retaining ring.

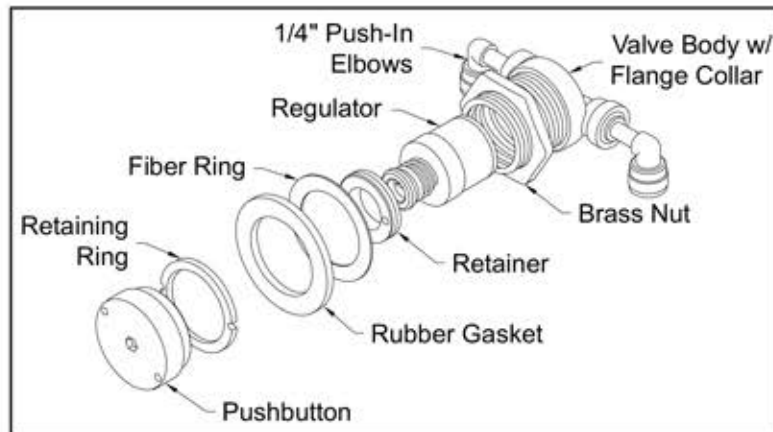
❖ **To replace regulator**, use a spannerwrench to remove pushbutton and retaining ring from the flange collar. Use a spanner wrench to remove retainer from the inside of the flange collar. Remove regulator, insert new regulator and align ports of new regulator with mating ports of valve body then replace retaining ring.

❖ **To access bubbler**, remove bubbler plug with a spanner wrench and remove nut holding bubbler in place.

❖ **Re-assemble in reverse order.** When replacing inlet and outlet lines, ensure to insert supply line into valve port labeled "IN". Ensure plastic lines are not kinked when fountain is reassembled.



1. Bubbler
2. Bowl
3. Bubbler Plug
4. 1/4" Push-In Inlet Fitting w/ 1/4" Blue PE Tubing
5. 5/8" Barbed Drain Adapter w/ 5/8" Flex Hose
6. Arm/Pedestal
7. Mounting Screws For Bowl



PUSH-IN FITTING INSTALLATION

NOTE: FITTINGS AND TUBE SHOULD BE KEPT CLEAN, BAGGED AND UNDAMAGED PRIOR TO INSTALLATION.

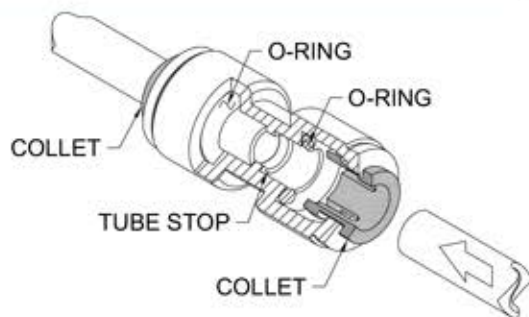
TO CUT TUBE:

Cut to fit length of 1/4" PE tubing and remove any burrs or sharp edges. Ensure that the outside diameter is free from score marks. Tube ends should be square.

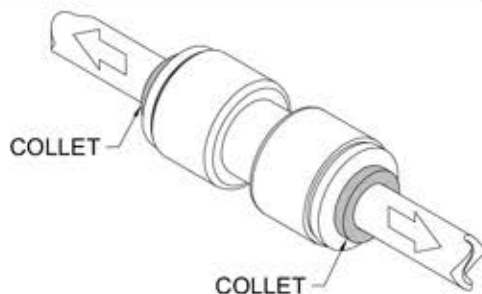


INSERTING THE TUBE:

1. Firmly and fully insert the tubing end into the push-in fitting up to the tube stop located approximately 1/2" deep.



2. Pull on the fitted tubing to ensure it is secure. Tube should not come free from the fitting. Water test the connection assembly prior to leaving the site to ensure there are no leaks.



DISCONNECTING THE TUBE:

To disconnect the tube from the fitting ensure that the water line is depressurized. Push collet square towards the push-in fitting body and hold. While holding the collet in, pull on the PE tubing to remove from the push-in fitting.

