

INSTALLATION INSTRUCTIONS FOR M-C76A ADA FOUNTIAN

Refer to local codes before starting work. Prepare trench for water supply line and waste line (if required). At fountain location prepare hole to trench depth and large enough for a person to work. Lay supply and waste into trench and above grade allowing extra line length to be trimmed during hook-up.

Depending on code and design requirements, drain may be open, French or sanitary connection. For open drain, place a minimum of three cubic feet of large round rock under drain opening. Local soil conditions may require more rock for drainage. Refill trench and hole, compacting back fill as required. Leave sufficient depth in hole to accommodate concrete.

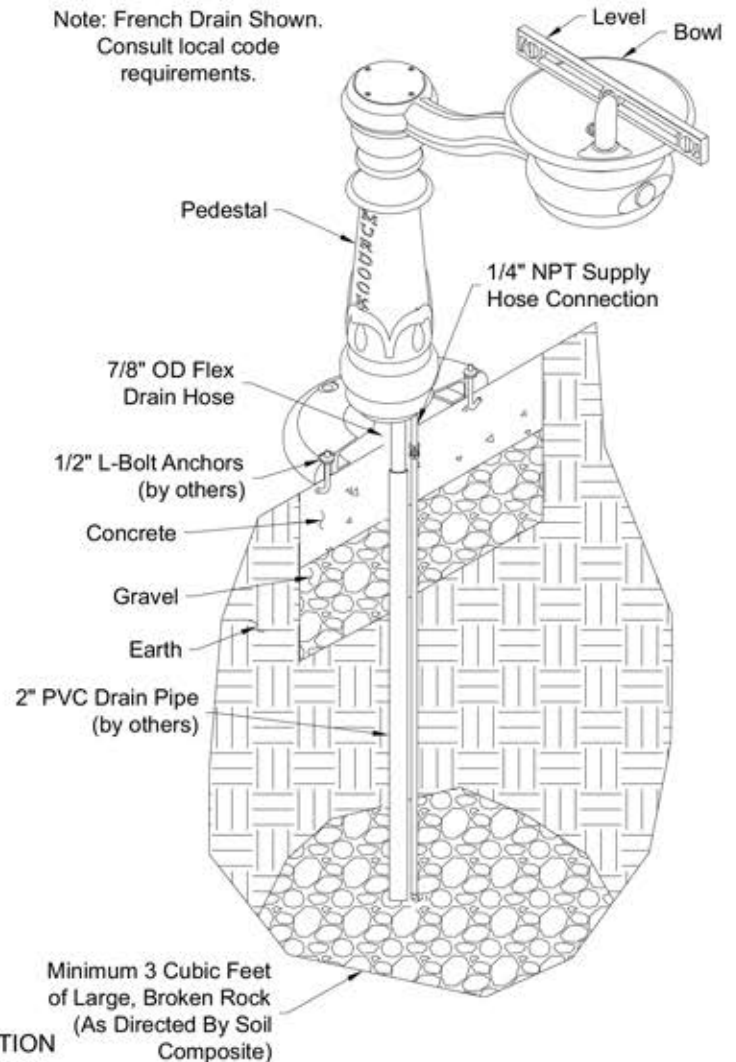
Prepare the slab area surrounding fountain spreading and compacting gravel as necessary. Prepare form approximately 6" square to protect supply and waste stub outs, fix 1/2" L-bolt anchors by others in position arranging L-bolts according to pattern indicated and pour concrete to grade. Leave enough thread for mounting base. Ensure concrete top surface is flat and level. If concrete has cured use appropriate 1/2" concrete anchoring hardware by others following the manufacturer's installation recommendations. After concrete has cured, purge supply line thoroughly prior to making up supply and waste connections to fountain.

Support fountain above mounting location to make up flexible supply and waste connections and lower into position aligning anchoring studs to pedestal mounting holes. Secure pedestal to slab.

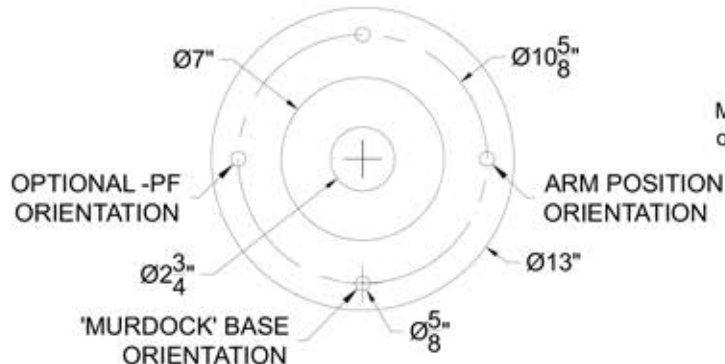
To ensure plumb installation, lay a bubble level on fountain bowl and adjust using shims or washers until unit is level.

For freeze resistant option refer to -FRU manual #9938-340-0M1.

Note: French Drain Shown.
Consult local code requirements.



MOUNTING BASE DETAIL



* Valve specifications:
Minimum/Maximum Pressure
30 to 100 psi.

MAINTENANCE INSTRUCTIONS

All normal maintenance is done from above ground.

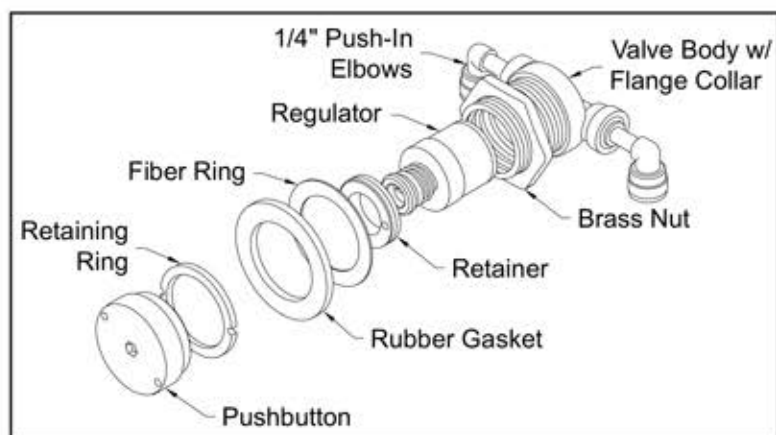
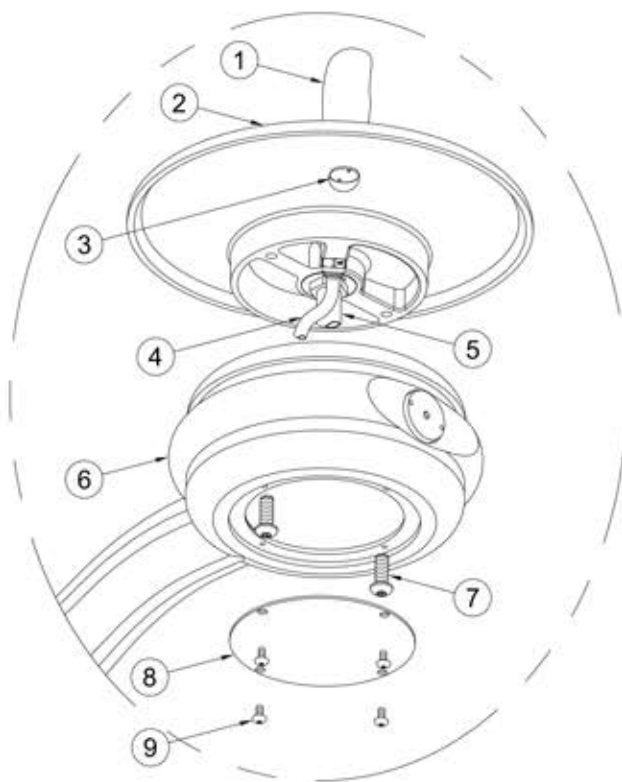
❖ Always shut off water supply when doing any maintenance.

❖ **To remove arm mounted pushbutton assembly** remove bottom access panel. From bottom of the arm, remove inlet and outlet lines from push-in ports of valve body. Using a spanner wrench remove pushbutton and retaining ring.

❖ **To replace regulator**, use a spanner wrench to remove pushbutton and retaining ring from the flange collar. Use a spanner wrench to remove retainer from the inside of the flange collar. Remove regulator, insert new regulator and align ports of new regulator with mating ports of valve body then replace retaining ring.

❖ **To access bubbler**, remove access panel and bowl from arm assembly. Remove bubbler plug with a spanner wrench and remove nut holding bubbler in place.

❖ **Re-assemble in reverse order.** When replacing inlet and outlet lines, ensure to insert supply line into valve port labeled "IN". Ensure plastic lines are not kinked when fountain is reassembled.



1. Bubbler
2. Bowl
3. Bubbler Plug
4. 1/4" Push-In Inlet Fitting w/ 1/4" Blue PE Tubing
5. 5/8" Barbed Drain Adapter w/ 5/8" Flex Hose
6. Arm
7. Mounting Screws For Bowl
8. Access Panel
9. Vandal Resistant Screws for Access Panel

PUSH-IN FITTING INSTALLATION

NOTE: FITTINGS AND TUBE SHOULD BE KEPT CLEAN, BAGGED AND UNDAMAGED PRIOR TO INSTALLATION.

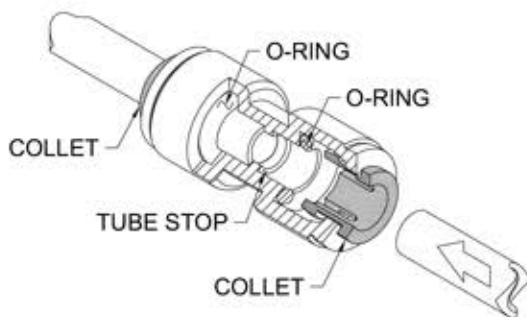
TO CUT TUBE:

Cut to fit length of 1/4" PE tubing and remove any burrs or sharp edges. Ensure that the outside diameter is free from score marks. Tube ends should be square.

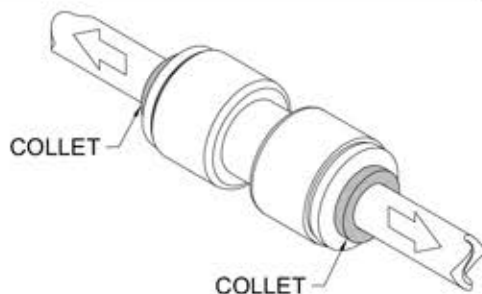


INSERTING THE TUBE:

1. Firmly and fully insert the tubing end into the push-in fitting up to the tube stop located approximately 1/2" deep.



2. Pull on the fitted tubing to ensure it is secure. Tube should not come free from the fitting. Water test the connection assembly prior to leaving the site to ensure there are no leaks.



DISCONNECTING THE TUBE:

To disconnect the tube from the fitting ensure that the water line is depressurized. Push collet square towards the push-in fitting body and hold. While holding the collet in, pull on the PE tubing to remove from the push-in fitting.

