

Special Application

MODEL M-84

POST JUG FILLER

STANDARD FEATURES

Model M-84 Post Jug Filler features design simplicity. This unit includes a single Jug filler. The Jug Filler is operated by a self closing pushbutton valve. Standard model is seasonal, not freeze resistant. Heavy-duty construction ensures durability and field-servicable components are easily accessible.

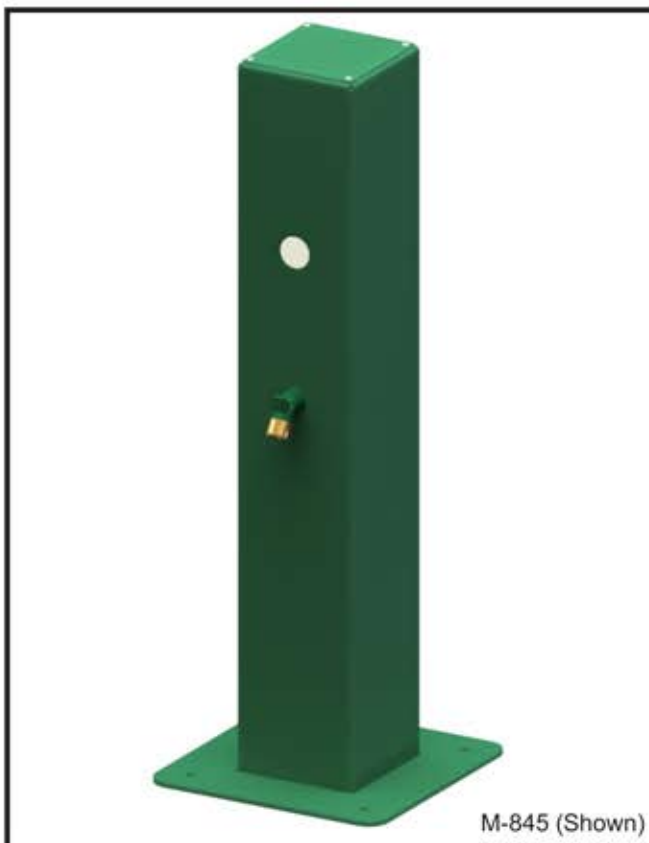
SUGGESTED SPECIFICATIONS

Jug Filler shall be Murdock model M-84. Unit shall be furnished with one jug filler mounted on the pedestal.

Pedestal shall fabricated of heavy duty type 304 stainless steel and base of pedestal shall have four mounting holes. Pedestal shall have a satin finish unless otherwise specified.

Jug Filler valve shall be self-closing, pushbutton operated and constructed of cast brass with a rough chrome plated finish. Supply inlet shall be lead free with 1/2" NPS hose end connection.

All solid brass castings shall conform to ASTM standards B61 and B62. Pushbutton valve conforms with lead-free requirements of NSF61, Section 9, 1997 and Federal Public Law 111-380.



Standard Model: M-844

MODEL:

(Must Specify)

- M-844 Satin stainless steel finish
- M-845 Green powder-coat (Shown)
- M-846 Red powder-coat
- M-847 Blue powder-coat

OPTIONS

(additional costs may be incurred)

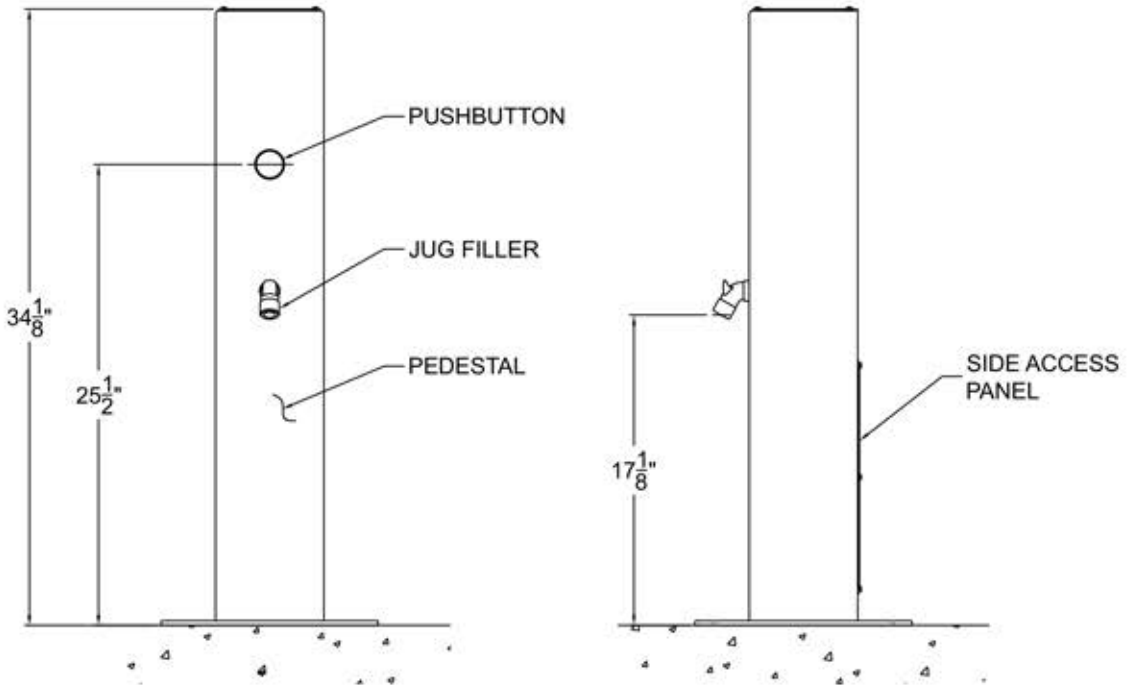
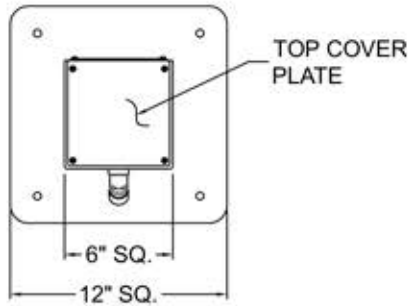
- FRU1 Underground freeze-resistant valve ¹
- LOGO Customer Specified logo ¹

Options Notes:

¹ See separate option sheet.

Special Application

**MODEL M-844
POST HYDRANT**



Murdock Mfg.™ warrants that its products are free from defects in material or workmanship under normal use and service for a period of one year from date of shipment. Murdock's liability under this warranty shall be discharged solely by replacement or repair of defective material, provided Murdock™ is notified in writing within one year from date of shipment, F.O.B. Industry, California.

| | | | |
|---|--|----------------|---|
| SELECTION SUMMARY & APPROVAL FOR MANUFACTURING | Model Number & Options _____ | Quantity _____ | All dimensions are subject to manufactures tolerance of plus or minus 1/8" nominal and subject to change without notice. Murdock assumes no responsibility for use of void or superseded data. Dimensions may change with the addition of optional accessories. Murdock Mfg.™, Member of Morris Group International™. |
| | Company _____ | | |
| | Contact _____ | Title _____ | |
| | Signature (Approval for Manufacturing) _____ | Date _____ | |