

Flush Box Hydrant

MODEL M-6150

1-1/2" FREEZE RESISTANT,
FLUSH-MOUNTED BOX HYDRANT
WITH LOCKING LID

STANDARD FEATURES

Model M-6150 box hydrant provides water access that is inconspicuous and unobtrusive. The top of the unit is installed flush with the surrounding surface, and all working parts are located below grade. The hydrant may be installed in pavement, sod or concrete. The unit is furnished with a locking lid, which is opened for access to the hose outlet and closed when not in use. A loose key serves to lock and unlock lid and to operate the hydrant. To provide freeze resistant functionality, the valve is located under ground at the specified depth of bury. The hydrant box and locking lid are iron castings, and the bottom connection, valve and 1-1/2" NPS hose outlet are lead-free solid-brass castings. Field-serviceable parts are easily accessible.

SUGGESTED SPECIFICATIONS

Hydrant shall be Murdock-Super Secur model M-6150 freeze resistant box hydrant.

Unit is to be installed with top of unit flush with surrounding surface and shall be furnished with hinged, locking lid.

Valve shall be located under ground at specified depth of bury to ensure freeze resistant capability.

Hydrant box and lid shall be fabricated of heavy-duty, gray iron castings. Box and lid shall be finished with a heavy coat of oil-base black enamel.

Valve, stirrup and hose outlet shall be fabricated of solid-brass castings. All solid-brass castings shall conform to ASTM standards B61 and B62. Lead-free castings are used in all waterways.

Outer casing and internal water supply line shall be fabricated of steel pipe.

Hydrant shall consist of internal supply line and a surrounding outer casing pipe for protection of waterway.

Cast-aluminum key shall be furnished loose. Key shall unlock lid and be used to operate hydrant.

Unit shall be furnished with 1-1/2" NPT female water inlet connection.

Contractor shall ensure that hydrant is installed properly.



Standard Model: M-6150

DEPTH OF BURY (additional costs may be incurred)

- | | |
|---|---|
| <input type="checkbox"/> 2 ft. (61 cm) | <input type="checkbox"/> 5 ft. (152.4 cm) |
| <input type="checkbox"/> 3 ft. (91.4 cm) | <input type="checkbox"/> 6 ft. (182.9 cm) |
| <input type="checkbox"/> 4 ft. (121.9 cm) | <input type="checkbox"/> Other _____ |

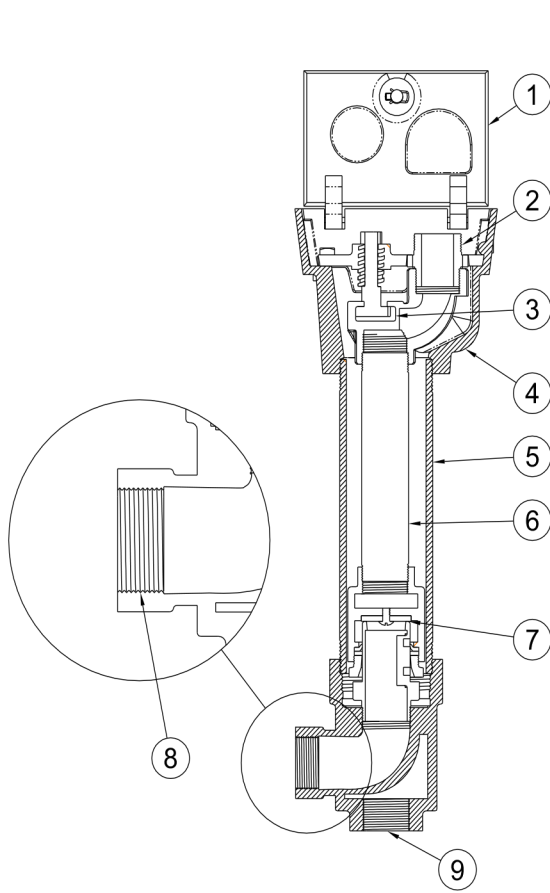
OPTIONS (additional costs may be incurred)

NONE

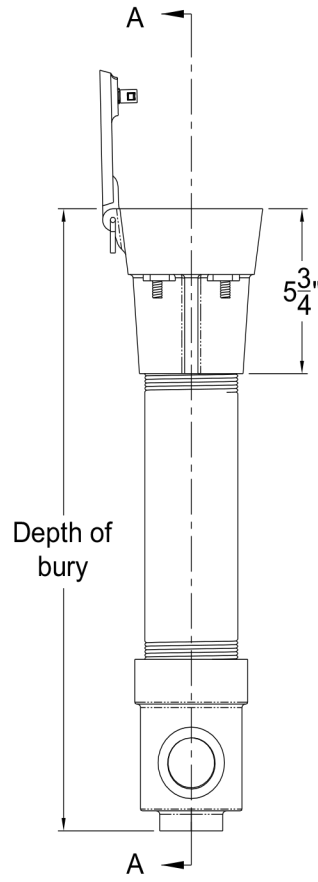
Flush Box Hydrant

MODEL M-6150

1-1/2" FREEZE RESISTANT, FLUSH-MOUNTED
BOX HYDRANT WITH LOCKING LID



SECTION A-A



LEFT SIDE

- | | | |
|---------------------------------------|---------------------------------|--|
| ① HINGED LOCKING LID | ④ BRONZE STREET WASHER BOX | ⑥ WATER SUPPLY LINE |
| ② 1-1/2" NPS HOSE THREAD BRASS NOZZLE | ⑤ GALVANIZED STEEL OUTER CASING | ⑦ VALVE |
| ③ STIRRUP | | ⑧ 1-1/2" NPT FEMALE BRASS INLET CONNECTION |
| | | ⑨ 1-1/2" NPT DRAIN CONNECTION |

SELECTION SUMMARY
& APPROVAL FOR
MANUFACTURING

Model Number & Options _____ Quantity _____

Company _____

Contact _____ Title _____

Signature (Approval for Manufacturing) _____ Date _____