

Architectural Series

MODEL M-43B

ADA COMPLIANT DRINKING FOUNTAIN WITH BI-LEVEL BOWLS

STANDARD FEATURES

Model M-43B features design simplicity. This unit has bi-level bowls to meet ADA requirements. The fountain includes stainless steel bubblers operated by separate pushbutton control. Standard model is seasonal, not freeze-resistant. Heavy duty construction ensures durability. Field serviceable components are easily accessible. Solid brass castings for bowl is *Penny Vein* powder coated and base/arm is finished in *Chestnut Brown*.

SUGGESTED SPECIFICATIONS

Drinking fountain shall be Murdock model M-43B. Unit shall be furnished with one fountain bowl mounted on the pedestal and one fountain bowl mounted on an arm.

Pedestal and arm shall be heavy duty iron castings and base of pedestal shall have four mounting holes. Pedestal and arm shall be furnished with a heavy grade of oil based enamel. Access cover shall be secured with vandal-resistant stainless steel screws.

Bowls shall be octagonal, powder coated, solid brass castings.

Valve shall be self-closing, pushbutton operated, incorporating a replaceable cartridge and requiring less than 5 pounds of force to operate. Valve shall include an adjustable stream regulator controlling the water.

Bubblers shall be stainless steel and operate on a water pressure range of 30 - 105 psig.

All solid brass castings shall conform to ASTM standards B61 and B62. Unit shall conform to ANSI A117.1, 2010 ADA Standards for Accessible Design, ANSI/NSF 61-9 and Public Law 111-380.



Standard Model: M-43B

OPTIONS

(additional costs may be incurred)

- CH30 Added arm and bowl with bubbler at 30" disabled child height ¹
- FRU2 Underground freeze-resistant valve for two bowls ¹
- FRU3 Underground freeze-resistant valve for three bowls
- HB1 Hose bibb with vacuum breaker ^{1 2}
- JF1 Jug filler with spigot self-closing valve ^{1 2}
- JF2 Jug filler with pushbutton valve ¹
- PF Pet fountain with pushbutton valve ¹
- PFS Pet fountain with spigot self-closing valve ^{1 2}
- Chrome plated cast brass bowls
- **Black** Pedestal color black
- **Green** Pedestal color green

Options Notes:

¹ See separate option sheet.

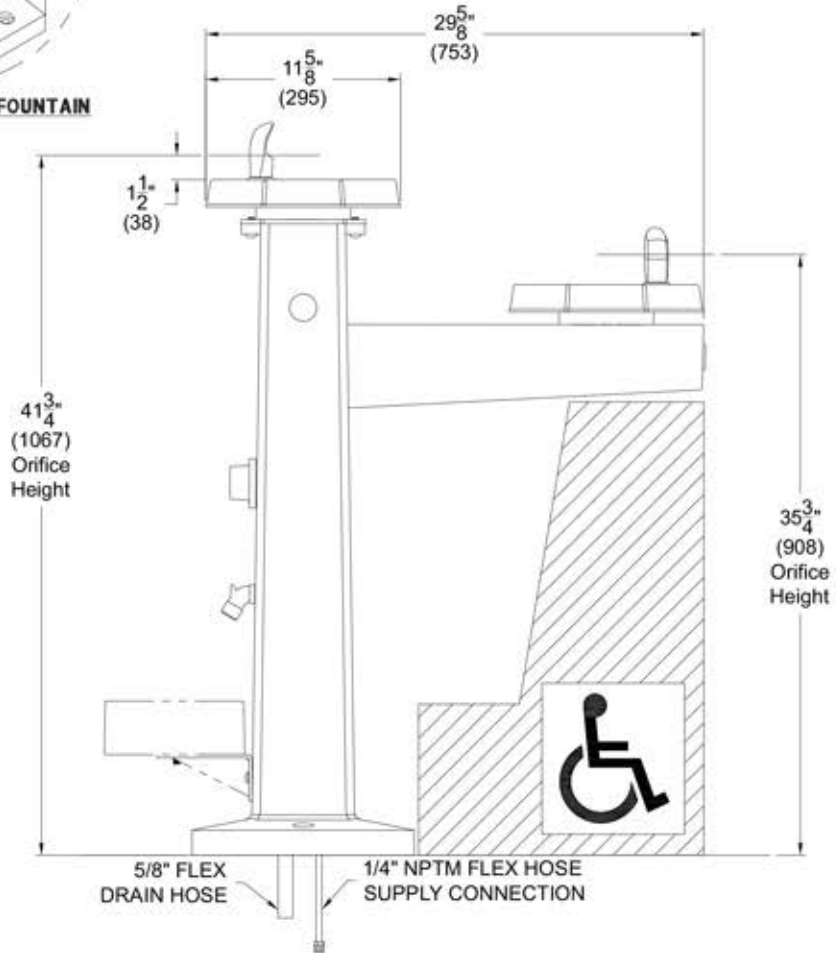
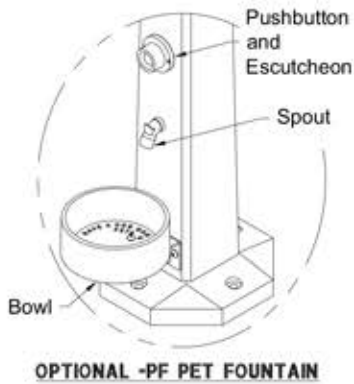
² This option is not available freeze-resistant.

Custom color finishes available upon request.

Architectural Series

MODEL M-43B

ADA COMPLIANT DRINKING FOUNTAIN
WITH BI-LEVEL BOWLS



--	--

SELECTION SUMMARY & APPROVAL FOR MANUFACTURING	Model Number & Options _____	Quantity _____	
	Company _____		
	Contact _____	Title _____	
	Signature (Approval for Manufacturing) _____	Date _____	

INSTALLATION INSTRUCTIONS FOR M-43B ADA FOUNTAIN

Refer to local codes before starting work. Prepare trench for water supply line and waste line (if required). At fountain location prepare hole to trench depth and large enough for a person to work. Lay supply and waste into trench and above grade allowing extra line length to be trimmed during hook-up.

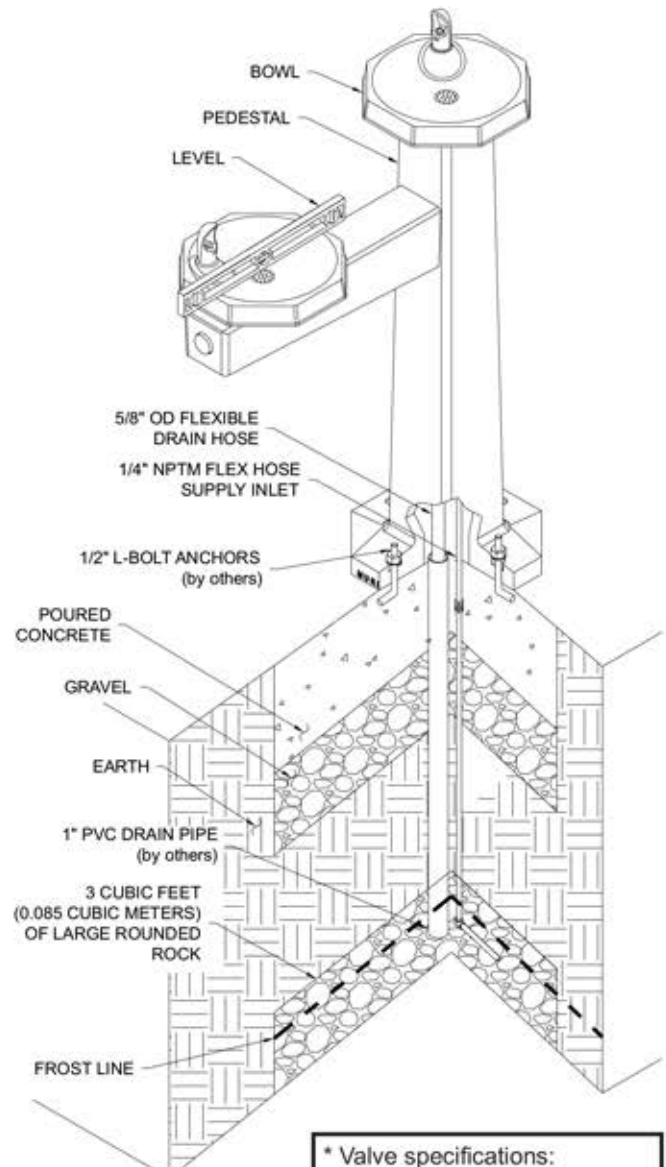
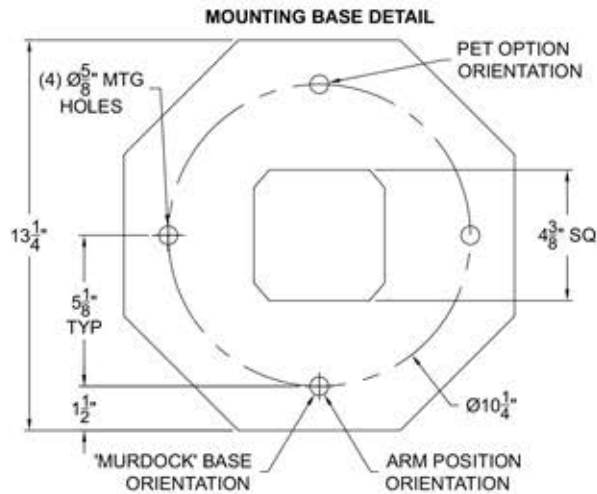
Depending on code and design requirements, drain may be open, French or sanitary connection. For open drain, place a minimum of three cubic feet of large round rock under drain opening. Local soil conditions may require more rock for drainage. Refill trench and hole, compacting back fill as required. Leave sufficient depth in hole to accommodate concrete.

Prepare the slab area surrounding fountain spreading and compacting gravel as necessary. Prepare form approximately 6" square to protect supply and waste stub outs, fix 1/2" L-bolt anchors by others in position arranging L-bolts according to pattern indicated and pour concrete to grade. Leave enough thread for mounting base. Ensure concrete top surface is flat and level. If concrete has cured use appropriate 1/2" concrete anchoring hardware by others following the manufacturer's installation recommendations. After concrete has cured, purge supply line thoroughly prior to making up supply and waste connections to fountain.

Support fountain above mounting location to make up flexible supply and waste connections and lower into position aligning anchoring studs to pedestal mounting holes. Secure pedestal to slab.

To ensure plumb installation, lay a bubble level on fountain bowl and adjust using shims or washers until unit is level.

For freeze resistant option refer to -FRU manual #9938-340-0M1.

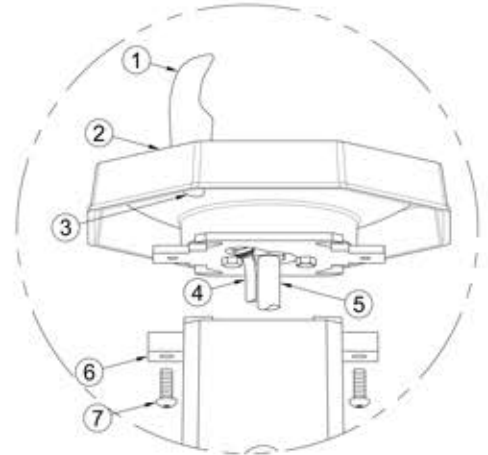
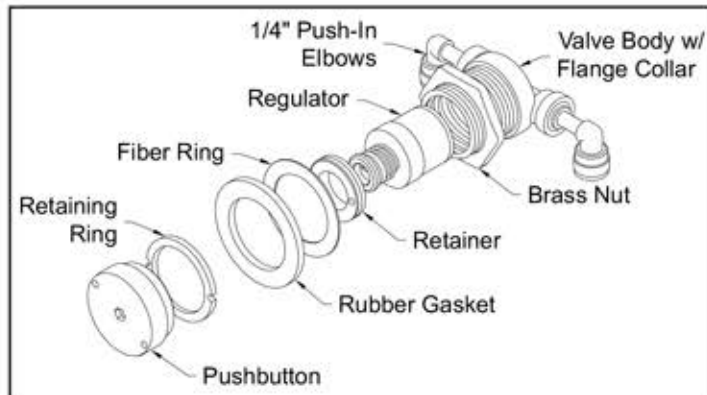


* Valve specifications:
Minimum/Maximum Pressure
30 to 100 psi.

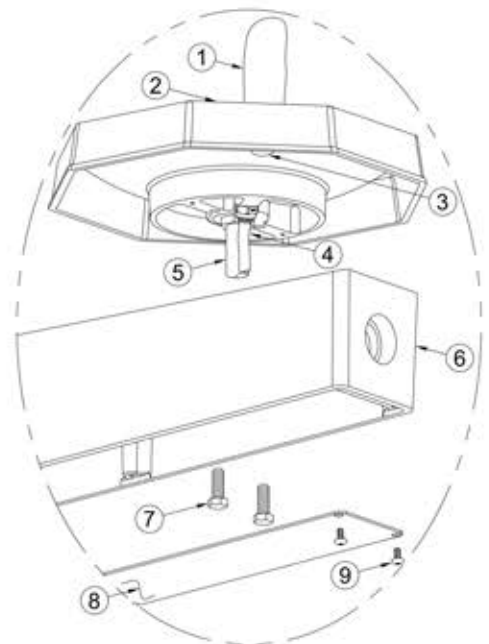
MAINTENANCE INSTRUCTIONS

All normal maintenance is done from above ground.

- ❖ Always shut off water supply when doing any maintenance.
- ❖ **To remove arm mounted pushbutton assembly** remove bottom access panel. From inside of the arm, remove inlet and outlet lines from push-in ports of valve body. Using a spanner wrench remove pushbutton and retaining ring.
- ❖ **To remove pedestal mounted pushbutton assembly** remove bowl then disconnect water inlet and drain flex hose. Once bowl is loose place aside where it won't get damaged.
- ❖ **To remove inlet and outlet lines** from push-in fitting ports of valve body. Using a spanner wrench remove pushbutton and retaining ring.
- ❖ **To replace regulator**, use a spanner wrench to remove pushbutton and retaining ring from the flange collar. Use a spanner wrench to remove retainer from the inside of the flange collar. Remove regulator, insert new regulator and align ports to new regulator with mating ports of valve body then replace retaining ring.
- ❖ **To access bubbler**, remove access panel, if necessary, and bowl from arm/pedestal assembly. Remove bubbler plug with a spanner wrench and remove nut holding bubbler in place.
- ❖ **Re-assemble in reverse order.** When replacing inlet and outlet lines, ensure to insert supply line into valve port labeled "IN". Ensure plastic lines are not kinked when fountain is reassembled.



1. Bubbler
2. Bowl Assembly
3. Bubbler Plug
4. 1/4" Push-In Inlet Fitting w/ 1/4" Blue PE Tubing
5. 5/8" Barbed Drain Adapter w/ 5/8" Flex Hose
6. Arm/Pedestal
7. Mounting Screws for Bowl
8. Access Panel
9. Vandal Resistant Screws for Access Panel



PUSH-IN FITTING INSTALLATION

NOTE: FITTINGS AND TUBE SHOULD BE KEPT CLEAN, BAGGED AND UNDAMAGED PRIOR TO INSTALLATION.

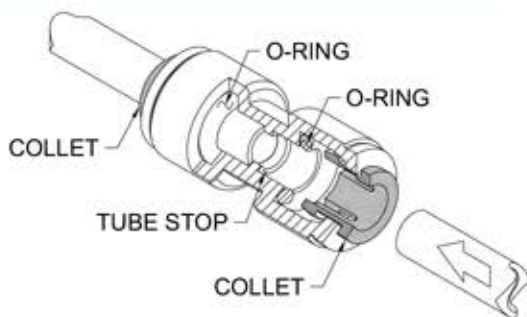
TO CUT TUBE:

Cut to fit length of 1/4" PE tubing and remove any burrs or sharp edges. Ensure that the outside diameter is free from score marks. Tube ends should be square.

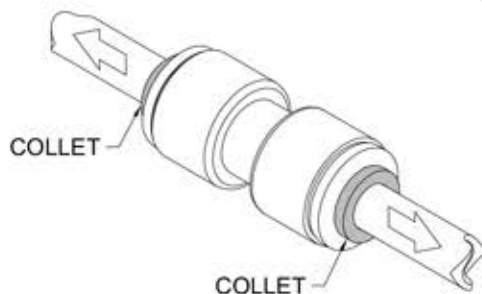


INSERTING THE TUBE:

1. Firmly and fully insert the tubing end into the push-in fitting up to the tube stop located approximately 1/2" deep.



2. Pull on the fitted tubing to ensure it is secure. Tube should not come free from the fitting. Water test the connection assembly prior to leaving the site to ensure there are no leaks.



DISCONNECTING THE TUBE:

To disconnect the tube from the fitting ensure that the water line is depressurized. Push collet square towards the push-in fitting body and hold. While holding the collet in, pull on the PE tubing to remove from the push-in fitting.

