

Retro Series

MODEL M-30

OCTAGON SINGLE HEIGHT
WITH FOOT PEDAL

STANDARD FEATURES

Model M-30 is a drinking fountain of classic design. The control valve is below the frost line to provide anti-freezing functionality. Activating the foot pedal raises the or lowers the internal supply line and waste tube assembly controlling the valve. Constructed with all brass parts and a stainless steel main spring. The M-30 is equipped with an automatic stream control for year round use. The M-30 is designed for trouble-free reliability and easy maintenance.

SUGGESTED SPECIFICATIONS

Drinking fountain shall be Murdock model M-34. Unit shall be capable of year-round use in freezing or inclement weather.

Pedestal shall be fabricated of heavy duty iron casting extending from grade line to bowl. Pedestal shall be predominantly octagonal with an octagonal base with four mounting holes and finished with a heavy grade oil-based enamel paint.

Bowl shall be a octagonal, chrome-plated, solid brass casting with outer edge at least 8-1/2" from center of bubbler outlet. Drain opening in the bowl shall be fabricated of chrome-plated, solid brass casting and shall be adequately protected from stoppage and vandalism. Bubbler shall be chrome-plated, solid brass casting with outlet near edge of bowl above the rim. Mouthguard shall be chrome-plated, solid brass casting mounted on the outer edge of bowl to meet sanitary requirements. All solid brass castings shall conform to ASTM standards B61 and B62. Lead-free castings shall be used in all waterways. Valve and bubbler conform with lead-free requirements of Public Law 111-380 (NO-LEAD), CHSC 116875 and NSF/ANSI 61, Section 9.

Valve shall be foot pedal operated spring loaded to close. Pedal shall consist of aluminum bronze. The mainspring shall be stainless steel wire with a 1/4" minimum diameter.



Standard Model: M-30

DEPTH OF BURY (additional costs may be incurred)

- | | |
|---|---|
| <input type="checkbox"/> 2 ft. (61 cm) | <input type="checkbox"/> 5 ft. (152.4 cm) |
| <input type="checkbox"/> 3 ft. (91.4 cm) | <input type="checkbox"/> 6 ft. (182.9 cm) |
| <input type="checkbox"/> 4 ft. (121.9 cm) | <input type="checkbox"/> Other _____ |

OPTIONS (additional costs may be incurred)

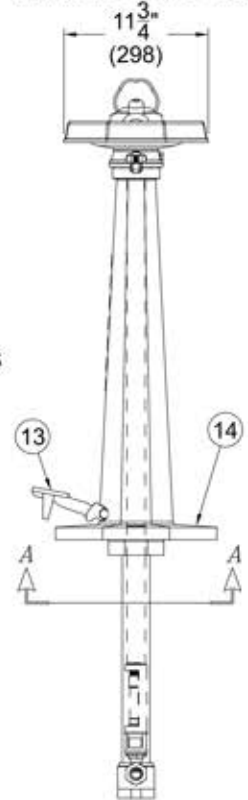
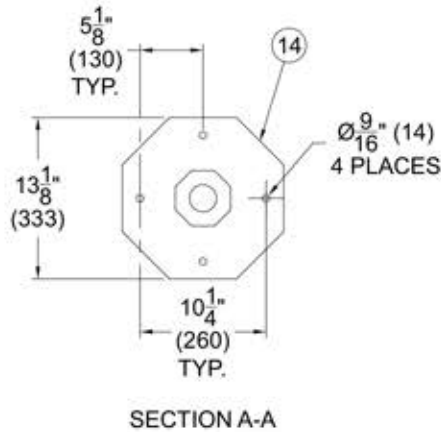
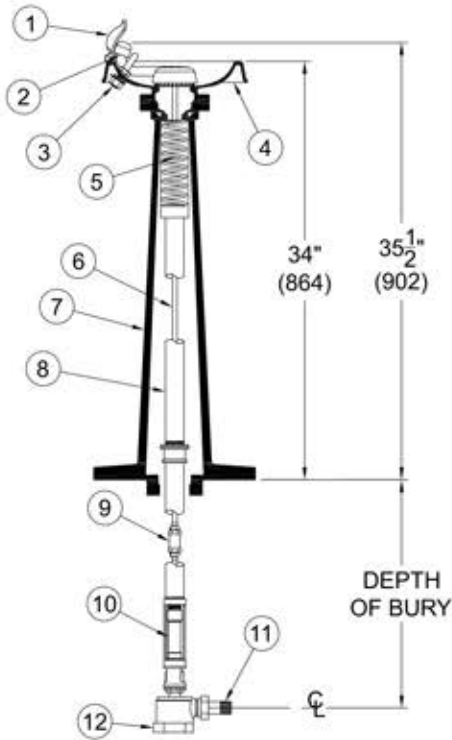
- | | |
|----------------------------------|---|
| <input type="checkbox"/> | Chrome plated bowl and mouth guard (Standard) |
| <input type="checkbox"/> | Polished brass bowl and mouth guard |
| <input type="checkbox"/> | Powder-coated brass bowl and mouth guard |
| <input type="checkbox"/> - Brown | Pedestal color brown |
| <input type="checkbox"/> - Black | Pedestal color black |
| <input type="checkbox"/> - Green | Pedestal color green (standard) |

Custom color finishes available upon request.

Retro Series

MODEL M-30

OCTAGON SINGLE HEIGHT
WITH FOOT PEDAL



- | | | |
|-----------------------|------------------------|-----------------------------------|
| ① MOUTH GUARD | ⑥ WATER SUPPLY LINE | ⑪ 3/4" IPS MALE SUPPLY CONNECTION |
| ② GOOSENECK & BUBBLER | ⑦ PEDALSTAL | ⑫ 2" IPS FEMALE DRAIN CONNECTION |
| ③ U-BOLT | ⑧ WASTE TUBE | ⑬ FOOT PEDAL |
| ④ BOWL | ⑨ .75 GPM FLOW CONTROL | ⑭ PEDALSTAL BASE |
| ⑤ MAINSPRING | ⑩ VALVE | |

Murdock Mfg.™ warrants that its products are free from defects in material or workmanship under normal use and service for a period of one year from date of shipment. Murdock's liability under this warranty shall be discharged solely by replacement or repair of defective material, provided Murdock™ is notified in writing within one year from date of shipment, F.O.B. Industry, California.

SELECTION SUMMARY & APPROVAL FOR MANUFACTURING	Model Number & Options _____	Quantity _____
	Company _____	
	Contact _____	Title _____
	Signature (Approval for Manufacturing) _____	Date _____