

# Select Series

## MODEL M-23B

### ADA COMPLIANT DRINKING FOUNTAIN WITH BI-LEVEL BOWLS

#### STANDARD FEATURES

Model M-23B features design simplicity. This unit has bi-level fountain bowls to meet ADA requirements. The fountains are operated by pushbutton controls. Standard model is seasonal, not freeze resistant. Heavy-duty construction ensures durability. Field-serviceable components are easily accessible. Solid brass castings for bowl and mouth guard are *Penny Vein* powder-coated and base/arm is finished in *Chestnut Brown*.

#### SUGGESTED SPECIFICATIONS

Drinking fountain shall be Murdock model M-23B. Unit shall be furnished with one fountain bowl mounted on the pedestal and one fountain bowl mounted on an arm.

Pedestal and arm shall be heavy duty iron casting and base of pedestal shall have four mounting holes. Pedestal and arm shall be finished with a heavy grade of oil-based brown enamel. Access covers shall be secured with vandal-resistant stainless steel screws.

Valve shall be self-closing, pushbutton operated, incorporating a replaceable cartridge and requiring less than 5 pounds of force to operate. Valve shall include an adjustable stream regulator controlling the water.

Bowls shall be rectangular, powder-coated, solid brass castings. Drain opening in bowls shall be adequately protected from stoppage or vandalism by chrome-plated solid brass castings.

Bubblers shall be chrome plated solid brass castings with angle stream outlet near outer edge of bowl and above bowl rim. Mouth guards shall be powder-coated solid brass castings to meet sanitary requirements.

All solid brass castings shall conform to ASTM standards B61 and B62. Unit shall conform to ANSI A117.1, 2010 ADA Standards for Accessible Design, ANSI/NSF 61-9 and Public Law 111-380.



(Shown with optional chrome plated bowl & mouth guard)

**Standard Model:** M-23B

#### OPTIONS

(additional costs may be incurred)

- CH30 Added arm and bowl with bubbler at 30" disable child height <sup>1</sup>
- FRU2 Underground freeze-resistant valve for two bowls <sup>1</sup>
- FRU3 Underground freeze-resistant valve for three bowls <sup>1</sup>
- HB1 Hose bibb with vacuum breaker <sup>1 2</sup>
- JF1 Jug filler with spigot self-closing valve <sup>1 2</sup>
- JF2 Jug filler with pushbutton valve <sup>1</sup>
- PF Pet fountain with pushbutton valve <sup>1</sup>
- PFS Pet fountain with spigot self-closing valve <sup>1 2</sup>
- Chrome plated cast brass bowls
- **Black** Pedestal color black
- **Green** Pedestal color green

#### Options Notes:

<sup>1</sup> See separate option sheet.

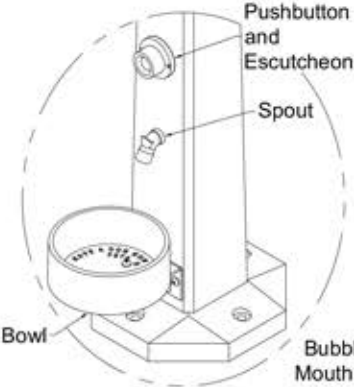
<sup>2</sup> This option is not available freeze-resistant.

Custom color finishes available upon request.

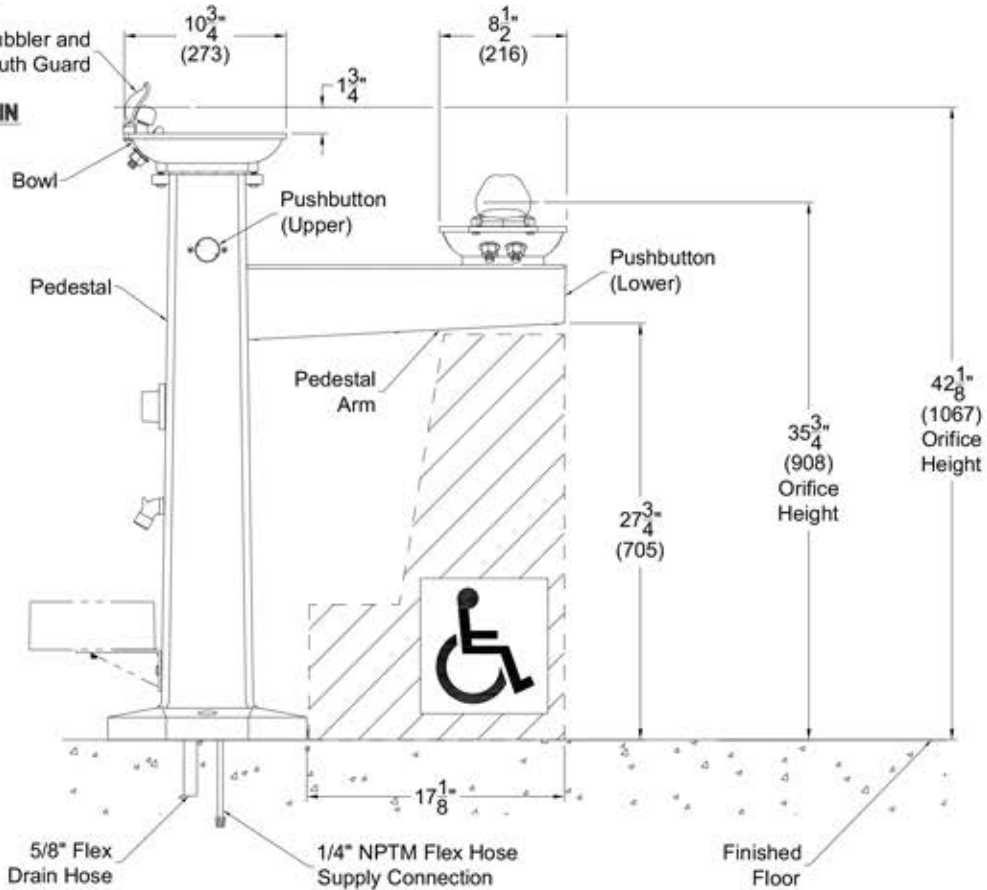
# Select Series

## MODEL M-23B

ADA COMPLIANT DRINKING  
FOUNTAIN WITH BI-LEVEL BOWLS



**OPTIONAL -PF PET FOUNTAIN**



|  |  |
|--|--|
|  |  |
|--|--|

|   |  |                |
|---|--|----------------|
| <b>SELECTION SUMMARY<br/>&amp; APPROVAL FOR<br/>MANUFACTURING</b> | Model Number & Options _____                 | Quantity _____ |
|   | Company _____                                |                |
|   | Contact _____                                | Title _____    |
|   | Signature (Approval for Manufacturing) _____ | Date _____     |
|   |  |                |

# INSTALLATION INSTRUCTIONS FOR M-23B ADA FOUNTAIN

Refer to local codes before starting work. Prepare trench for water supply line and waste line (if required). At fountain location prepare hole to trench depth and large enough for a person to work. Lay supply and waste into trench and above grade allowing extra line length to be trimmed during hook-up.

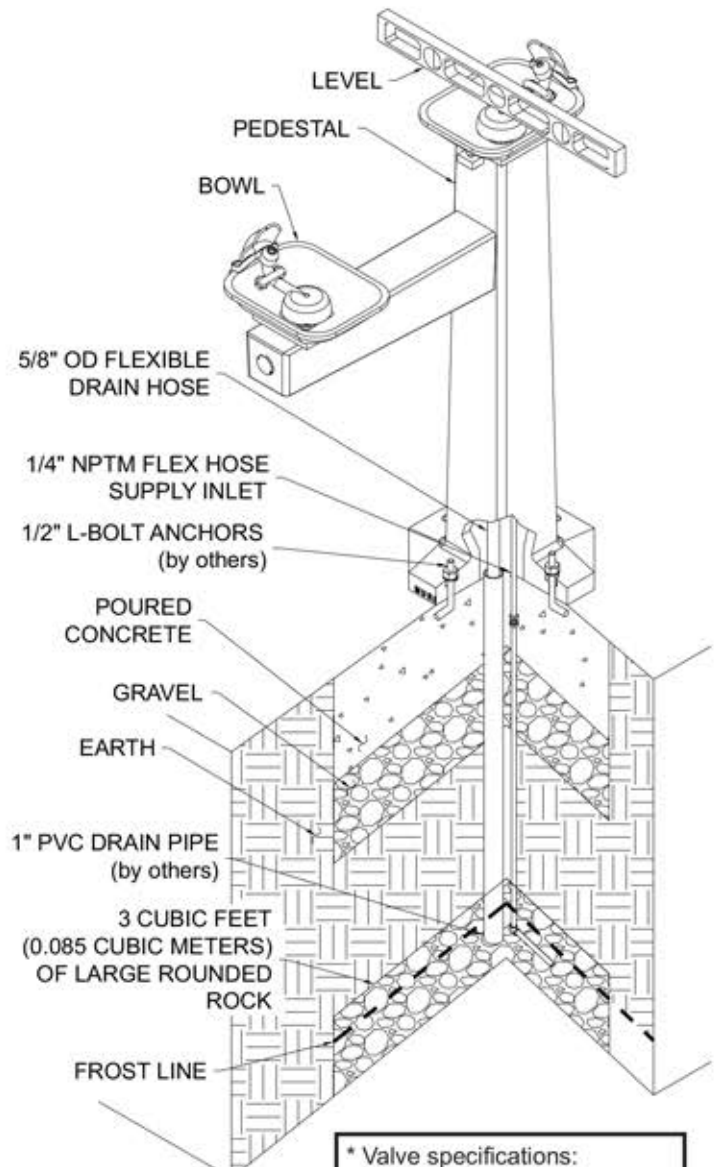
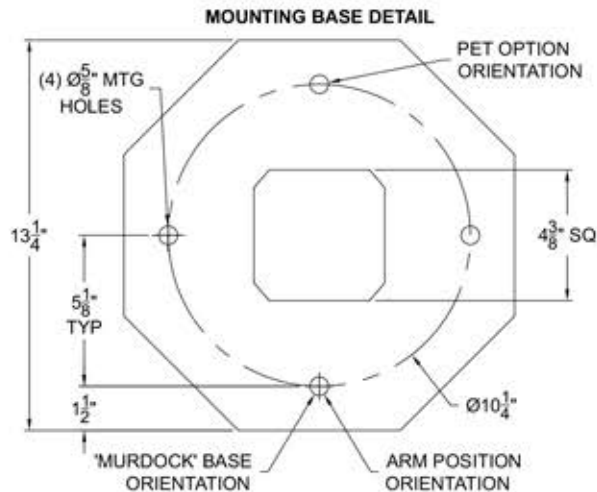
Depending on code and design requirements, drain may be open, French or sanitary connection. For open drain, place a minimum of three cubic feet of large round rock under drain opening. Local soil conditions may require more rock for drainage. Refill trench and hole, compacting back fill as required. Leave sufficient depth in hole to accommodate concrete.

Prepare the slab area surrounding fountain spreading and compacting gravel as necessary. Prepare form approximately 6" square to protect supply and waste stub outs, fix 1/2" L-bolt anchors by others in position arranging L-bolts according to pattern indicated and pour concrete to grade. Leave enough thread for mounting base. Ensure concrete top surface is flat and level. If concrete has cured use appropriate 1/2" concrete anchoring hardware by others following the manufacturer's installation recommendations. After concrete has cured, purge supply line thoroughly prior to making up supply and waste connections to fountain.

Support fountain above mounting location to make up flexible supply and waste connections and lower into position aligning anchoring studs to pedestal mounting holes. Secure pedestal to slab.

To ensure plumb installation, lay a bubble level on fountain bowl and adjust using shims or washers until unit is level.

For freeze resistant option refer to -FRU manual #9938-340-0M1.



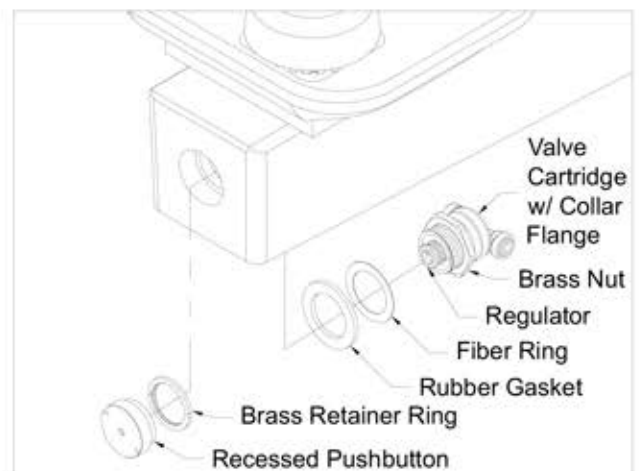
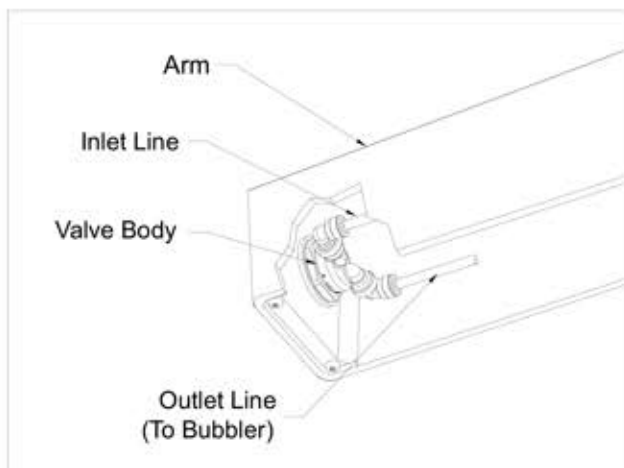
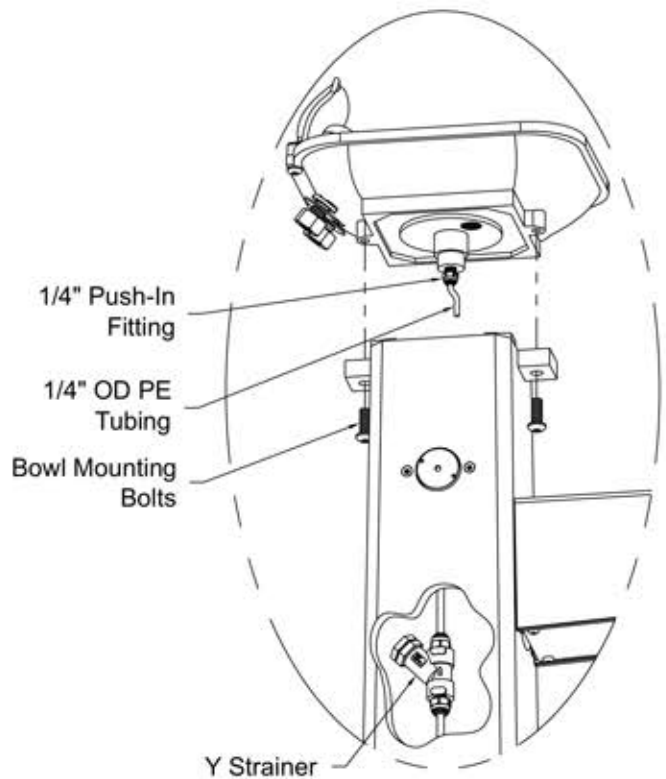
\* Valve specifications:  
Minimum/Maximum Pressure  
30 to 100 psi.



# MAINTENANCE INSTRUCTIONS

All normal maintenance is done from above ground.

- ❖ Shut off water supply.
- ❖ **To remove arm mounted pushbutton assembly**, remove bottom access panel. From inside of the arm, remove inlet and outlet lines from push-in ports of valve body. Unscrew valve body from pushbutton. Remove pushbutton from arm.
- ❖ **To remove pedestal mounted pushbutton assembly**, remove screws from underneath basin supporting with wire while performing maintenance procedures.
- ❖ **To remove inlet and outlet lines** from push-in fitting ports of valve body, unscrew body from flanged collar. Remove brass nut from flanged collar and remove push button and flanged collar from pedestal.
- ❖ **To remove pushbutton from flanged collar**, back out set screw from flanged collar as necessary to allow push button to be removed.
- ❖ **To replace regulator**, unscrew retaining ring from valve body. Align ports of new regulator with mating ports of valve body and replace retaining ring.
- ❖ **Re-assemble in reverse order**. When replacing inlet and outlet lines, ensure to insert supply line into valve port labeled "IN". Ensure plastic lines are not kinked when fountain is reassembled.



## **PUSH-IN FITTING INSTALLATION**

NOTE: FITTINGS AND TUBE SHOULD BE KEPT CLEAN, BAGGED AND UNDAMAGED PRIOR TO INSTALLATION.

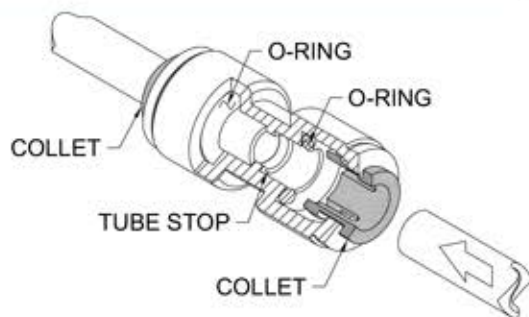
### **TO CUT TUBE:**

Cut to fit length of 1/4" PE tubing and remove any burrs or sharp edges. Ensure that the outside diameter is free from score marks. Tube ends should be square.

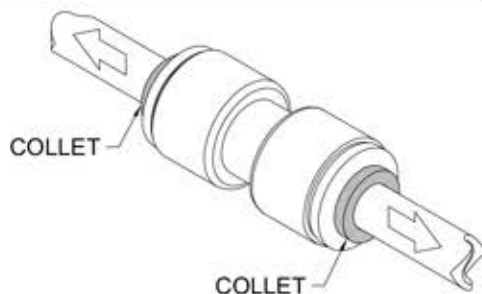


### **INSERTING THE TUBE:**

1. Firmly and fully insert the tubing end into the push-in fitting up to the tube stop located approximately 1/2" deep.



2. Pull on the fitted tubing to ensure it is secure. Tube should not come free from the fitting. Water test the connection assembly prior to leaving the site to ensure there are no leaks.



### **DISCONNECTING THE TUBE:**

To disconnect the tube from the fitting ensure that the water line is depressurized. Push collet square towards the push-in fitting body and hold. While holding the collet in, pull on the PE tubing to remove from the push-in fitting.

