

Post Hydrant

MODEL M-2100

1" FREEZE RESISTANT, SELF-CLOSING
PEDAL OPERATED POST HYDRANT

STANDARD FEATURES

Model M-2100 delivers year-round service outside or in unheated buildings. To provide freeze resistant functionality, the control valve is located below the frost line. Stepping on the pedal raises the internal supply-line assembly to open, and the self-closing spring lowering the internal supply-line assembly to close. Constructed of heavy lead-free brass, premium-quality gray iron and steel, the M-2100 is designed for trouble-free reliability and easy maintenance.

SUGGESTED SPECIFICATIONS

Hydrant shall be Murdock-Super Secur model M-2100. Unit shall be capable of year-round use in freezing weather.

Unit shall extend below grade level so that centerline of supply inlet is positioned at or below frost line. Inlet shall have 1" NPT male connection.

Water shall be gravity-evacuated from inner supply column when valve is shut off.

Valve shall be pedal operated. Pedal shall be fabricated of one-piece iron casting finished with a heavy grade of oil-based green enamel. Stock, top, and base shall be fabricated of heavy, one-piece iron castings finished with a heavy grade of oil-based green enamel.

Inner supply assembly shall incorporate solid-brass castings. All solid brass castings shall conform to ASTM standards B61 and B62. Lead-free castings are used in all waterways.

Outer casing shall be black iron pipe, finished with a heavy grade of oil-based green enamel.

Hydrant shall consist of internal supply line and a surrounding outer casing pipe for protection of waterway.

Nozzle shall be solid brass casting, threaded for 1" NPS hose connection.



Standard Model: M-2100

DEPTH OF BURY *(additional costs may be incurred)*

- | | |
|---|---|
| <input type="checkbox"/> 2 ft. (61 cm) | <input type="checkbox"/> 5 ft. (152.4 cm) |
| <input type="checkbox"/> 3 ft. (91.4 cm) | <input type="checkbox"/> 6 ft. (182.9 cm) |
| <input type="checkbox"/> 4 ft. (121.9 cm) | <input type="checkbox"/> Other _____ |

OPTIONS *(additional costs may be incurred)*

- | | |
|-------------------------------|---|
| <input type="checkbox"/> -BFH | Double Ball Check Valve and Vacuum Breaker* |
| <input type="checkbox"/> -VB | Vacuum Breaker |
| <input type="checkbox"/> -R01 | Shut Off Valve with Plate* |
| <input type="checkbox"/> -SE | Plain End Spout |
| <input type="checkbox"/> -SWD | Sewer Drain Connection |

* See separate option sheets

Certified to the following standards:



Member of
U.S. Green
Building
Council



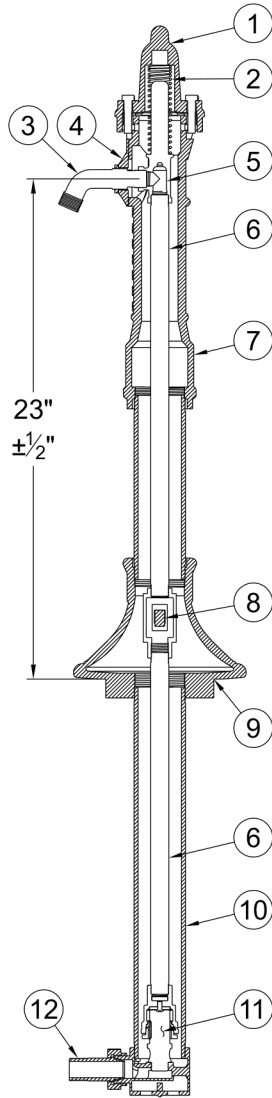
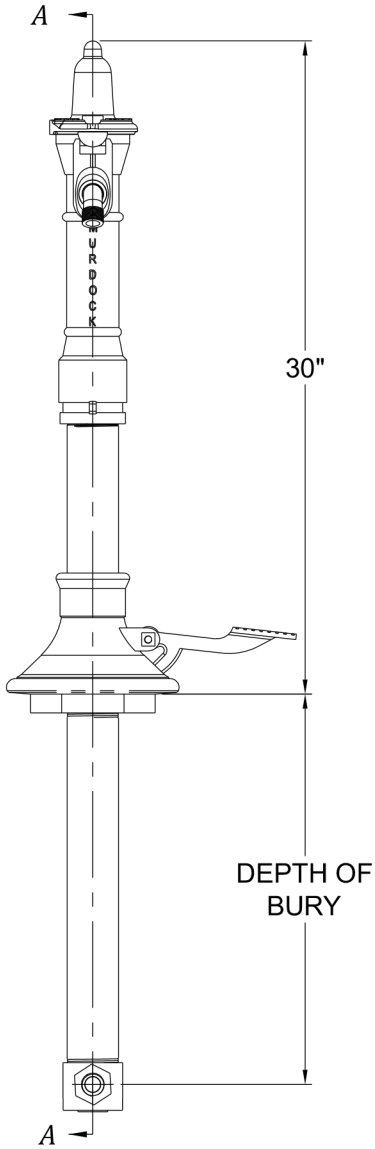
Recyclable
Product

WARNING: Cancer and Reproductive Harm - www.P65Warnings.ca.gov

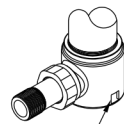
Post Hydrant

MODEL M-2100

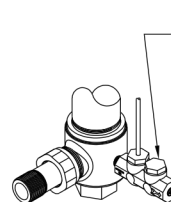
1" FREEZE RESISTANT, SELF-CLOSING
PEDAL OPERATED POST HYDRANT



- | | |
|-------------------------------|-----------------------|
| ① TOP | ⑦ STOCK |
| ② SPRING | ⑧ PEDAL |
| ③ 3/4" NPSM HOSE BRASS NOZZLE | ⑨ BASE |
| ④ SLIDE | ⑩ 2" IPS OUTER CASING |
| ⑤ TEE | ⑪ VALVE |
| ⑥ INNER SUPPLY PIPE | ⑫ 1" NPT BRASS INLET |



WEEP HOLES



-BFH DOUBLE BALL VALVE



-SWD 1" NPT TO SANITARY

SECTION A-A

SELECTION SUMMARY & APPROVAL FOR MANUFACTURING	Model Number & Options _____	Quantity _____
	Company _____	
	Contact _____	Title _____
	Signature (Approval for Manufacturing) _____	Date _____