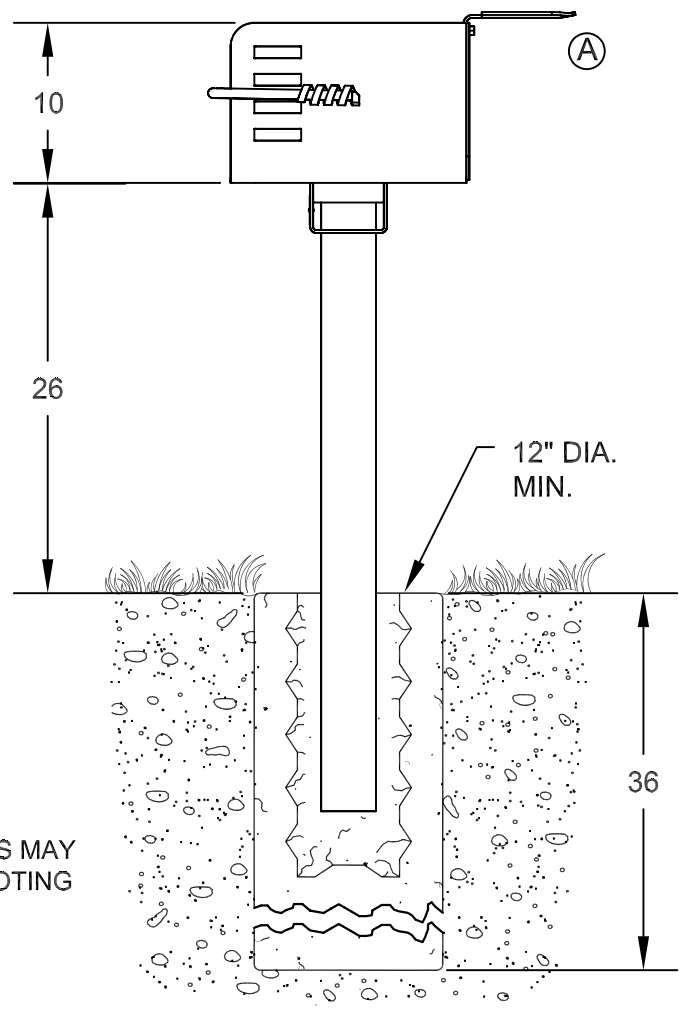
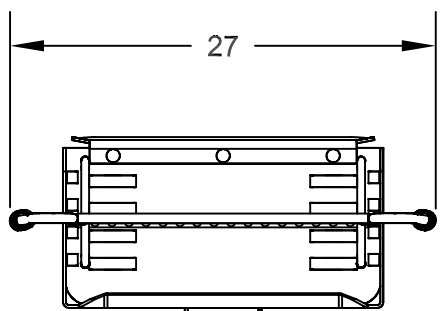


Ⓐ OPTIONAL UTILITY SHELF
- ADD /S TO MODEL NO.



NOTE:
LOCAL SOIL CONDITIONS MAY
REQUIRE A LARGER FOOTING

ALL DIMENSIONS IN INCHES



TITLE K-20 PARK GRILL SHOWN WITH B2 BASE
& OPTIONAL UTILITY SHELF

DRAWN BY JCT

DATE 7-6-00

DWG. NO. AI-1195