

# GY Series

## MODEL GYE14

### WALL MOUNTED LARGE CAPACITY BOTTLE FILLER DESIGN WITH ANGLED DRINKING FOUNTAIN

#### STANDARD FEATURES

- Bottle Filler and Drinking Fountain Adult ADA Compliant (when properly installed)
- Optionally Available with "Hands Free" Controls with Auto-Purge Function to Assure Fresh Water Supply
- Oversize Bottle Filler Opening with Laminar Flow Spout
- Accommodates Extra Large Bottles Up to 7" Dia x 13" Tall
- Resistant to Sunlight, Heat, Moisture and Wear
- 18 Gauge, Type 304 Stn Stl Drinking Fountain Bowl
- 12 Gauge, Heavy Duty Stainless Steel Construction with Corrosion and Scratch Resistant Finish
- Polished Stainless Steel, Anti-Rotation, Non-Squirt Bubbler
- 1/4" Thick Stainless Steel Mounting Plate
- 100-Mesh Inlet Strainer

#### SUGGESTED SPECIFICATIONS

Wall Mounted Round Bottle Filler with Drinking Fountain shall be Murdock model GYE14. Construction shall be 12 gauge, all stainless steel with 18 gauge type 304 stainless steel fountain bowl. Provide 1/4" thick stainless steel mounting plate to securely anchor unit to wall. Access Panels shall be secured with Vandal-Resistant stainless steel screws. Drinking Fountain shall be activated by a front mounted self-closing Pushbutton with Cartridge Valve Assembly, using less than 5 pounds of force to activate with an adjustable stream regulator controlling the water flow. Bubblers shall be stainless steel with non-squirt feature and operate on water pressure range of 20-105 PSIG. Extra height Bottle Filler shall be activated a Pneumatic Pushbutton using less than 5 lbs of force to activate and provide 1.5 GPM (5.7 LPM) Laminar Flow Spout. Provide unit with Elbow Waste connection. **P-Trap shall be installer provided behind wall (Optional -PT P-Trap with access below fixture is available).** Unit shall contain a 100-Mesh Inlet Strainer. Fountain shall comply with ANSI A117.1, Public Law 111-380 (NO-LEAD), CHSC 116875 and NSF/ANSI 61, Section 9. Fixture to meet ADA and ADA Reach requirements when mounted appropriately.

**Optional -SO with Auto-Purge Sensor function shall activate Bottle Filler for 10 second duration 24 hour after last activation as standard and allow for purge cycle adjustment.**

#### Product Warranty

#### 3000 Gallon PFAS Filter Certifications

Option Notes:

<sup>1</sup>See separate option sheet

Complies with the following standards:



NSF/ANSI/CAN 61



Model: GYE15-R Shown

"FOR INDOOR AND OUTDOOR USE"

#### MODEL:

(Must Specify)

- GYE14 Satin Stainless Finish
- GYE15 Green Powder-Coated
- GYE16 Red Powder-Coated
- GYE17 Blue Powder-Coated (Shown)

Custom color finishes available upon request

#### ADA DRINKING FOUNTAIN ORIENTATION

(Must Specify)

- L ADA Drinking Fountain Left Side (Opposite)
- R ADA Drinking Fountain Right Side (Shown)

#### OPTIONS

(additional costs may be incurred)

- FRA2 Freeze Resistant Valve, Two Valves<sup>1</sup> (N/A w/ Filter<sup>1</sup> & Sensor)
- LOGO Customer Specified Logo
- SLPT 10° Bottle Filler Sloped Top
- SOC Concealed Sensor Operated Drinking Fountain Battery Operated with Auto-Purge Function to Assure Fresh Water Supply (N/A with -FRA2<sup>1</sup>)
- SO Sensor Operated Bottle Filler, Battery Operated with Auto-Purge Function to Assure Fresh Water Supply (N/A with -FRA2<sup>1</sup>)
- 316 Type 316 Stainless Steel Construction

#### ACCESSORIES

(additional costs may be incurred)

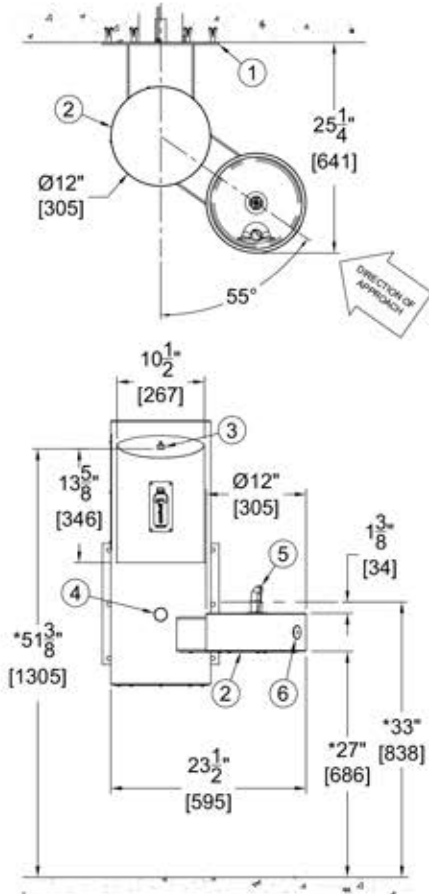
- AP Auto-Purge Sensor Function Controller
- PT 1-1/4" OD P-Trap (Access Below Fixture) (N/A with -FRA2)
- LSR Bowl with Leaf & Debris Strainer<sup>1</sup>
- TF 120VAC/9V DC Plug-In Transformer
- WF3000 3000-Gallon PFAS Water Filter<sup>1</sup> NSF/ANSI, PFAS, Lead, Bacteria, Chlorine, Microplastics (N/A with -FRA2)

⚠ WARNING: Cancer and Reproductive Harm - www.P65Warnings.ca.gov

# GY Series

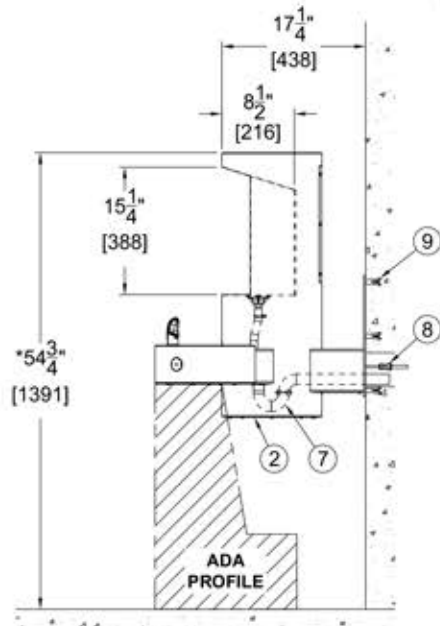
## MODEL GYE14 WALL MOUNTED LARGE CAPACITY BOTTLE FILLER DESIGN WITH ANGLED DRINKING FOUNTAIN

\* Valve specifications:  
Minimum/Maximum  
Pressure 30 to 100 psi.

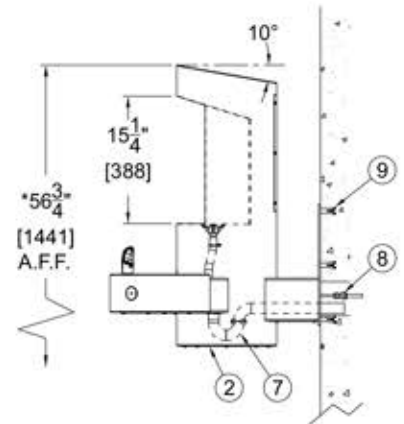


### NOTES:

1. 1/4" THICK STAINLESS STEEL MOUNTING PLATE
2. REMOVABLE ACCESS PANELS
3. BOTTLE FILLER SPOUT
4. BOTTLE FILLER PUSHBUTTON
5. DRINKING BUBBLER
6. DRINKING FOUNTAIN PUSHBUTTON WITH CARTRIDGE VALVE
7. OPTIONAL -PT 1-1/4" O.D. P-TRAP WASTE OUTLET SHOWN
8. SUPPLY CONNECTION
9. INSTALLER PROVIDED WALL ANCHORS AND ANCHORING HARDWARE



**GYE14-R SHOWN**



**GYE14-R-SLPT  
SHOWN**

### GENERAL NOTES:

1. ALL DIMENSIONS ARE IN INCHES [MM].
2. DIMENSIONS SHOWN ARE FOR RECOMMENDED ADULT HEIGHT. ADJUST VERTICAL DIMENSIONS AS NECESSARY TO COMPLY WITH FEDERAL, STATE, & LOCAL CODES.
3. STOP VALVE NOT PROVIDED.
4. MODELS MANUFACTURED FROM JANUARY 2025 TO PRESENT INCLUDE LARGER BOTTLE FILL AREA.

**IMPORTANT:** Refer to installation instructions for complete rough-in and technical data.

**NOTE:** Some options may change standard roughs.

SELECTION SUMMARY  
& APPROVAL FOR  
MANUFACTURING

Model Number & Options \_\_\_\_\_ Quantity \_\_\_\_\_

Company \_\_\_\_\_

Contact \_\_\_\_\_ Title \_\_\_\_\_

Signature (Approval for Manufacturing) \_\_\_\_\_ Date \_\_\_\_\_