



# CONTEMPORARY DRINKING FOUNTAINS

## GW Series

MODEL GWF55  
PEDESTAL MOUNTED  
DRINKING FOUNTAIN

### STANDARD FEATURES

- Resistant to sunlight, heat, moisture and wear
- 18 gage, 304 stainless steel bowl
- Heavy 1-1/4" IPS steel pipe, powder coated
- Polished stainless steel, anti-rotation non-squirt bubbler with valve and lever handle



GWF55 Shown

### SUGGESTED SPECIFICATIONS

Model GWF55 is a pedestal mounted, round drinking fountain made from 18 gage, 304 stainless steel. Basin shall be mounted onto a green powder coated heavy duty steel pipe pedestal. Unit shall be activated by a self-closing lever operated valve unless a pushbutton bubbler option is selected. Bubbler shall be polished stainless steel with a non-squirt feature and operate on a water pressure range of 20-105 psig. Unit is certified to ANSI A117.1, NSF/ANSI 61, Section 9, Public Law 111-380 (No-Lead) and CHSC 116875.

### MODEL:

(Must Specify)

#### LEAD-FREE STAINLESS STEEL w/ VALVE & LEVER HANDLE

- GWF55 Green powder-coated (Shown)
- GWF56 Red powder-coated
- GWF57 Blue powder-coated

#### LEAD-FREE STAINLESS STEEL PUSHBUTTON BUBBLER

- GWF65 Green powder-coated
- GWF66 Red powder-coated
- GWF67 Blue powder-coated

Custom color finishes available upon request

### OPTIONS

(additional costs may be incurred)

- CH30 Child height, 30" Bubbler height

Complies with the following standards:



Member of U.S. Green Building Council



Recyclable Product



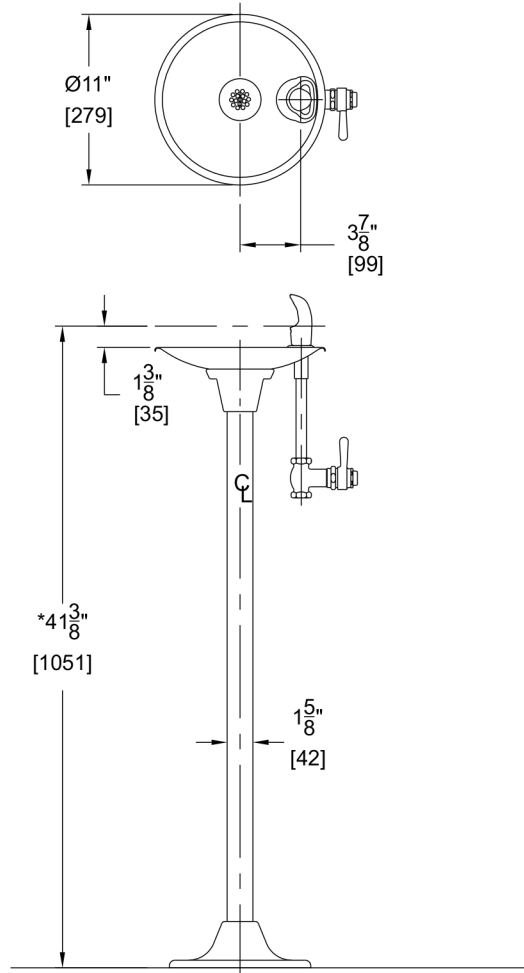
Water Conserving Product

⚠ WARNING: Cancer and Reproductive Harm - [www.P65Warnings.ca.gov](http://www.P65Warnings.ca.gov)



# CONTEMPORARY DRINKING FOUNTAINS

## GW Series MODEL GWF55 PEDESTAL MOUNTED DRINKING FOUNTAIN



### GENERAL NOTES:

1. ALL DIMENSIONS ARE IN INCHES [MM].
- \*2. STANDARD ADULT HEIGHT MODEL SHOWN. OPTIONAL -CH30 CHILD HEIGHT MODEL AVAILABLE.
3. STOP VALVE AND UNION NOT PROVIDED.

Murdock Mfg.™ warrants that its products are free from defects in material or workmanship under normal use and service for a period of one year from date of shipment. Murdock's liability under this warranty shall be discharged solely by replacement or repair of defective material, provided Murdock™ is notified in writing within one year from date of shipment, F.O.B. Industry, California.

|  |  |                |  |
|--|--|----------------|--|
| SELECTION SUMMARY & APPROVAL FOR MANUFACTURING | Model Number & Options _____                 | Quantity _____ | All dimensions are subject to manufactures tolerance of plus or minus 1/2" nominal and subject to change without notice. Murdock assumes no responsibility for use of void or superseded data. Dimensions may change with the addition of optional accessories. Murdock Mfg.™, Member of Morris Group International™. Please visit <a href="http://www.murdockmfg.com">www.murdockmfg.com</a> for most current specifications. |
|  | Company _____                                |                |  |
|  | Contact _____                                | Title _____    |  |
|  | Signature (Approval for Manufacturing) _____ | Date _____     |  |