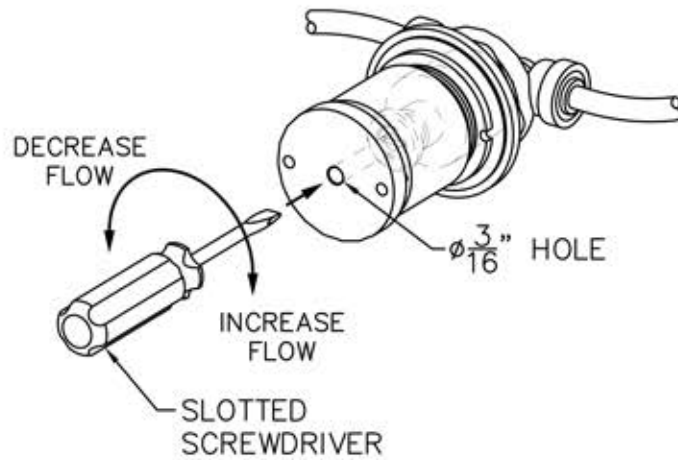
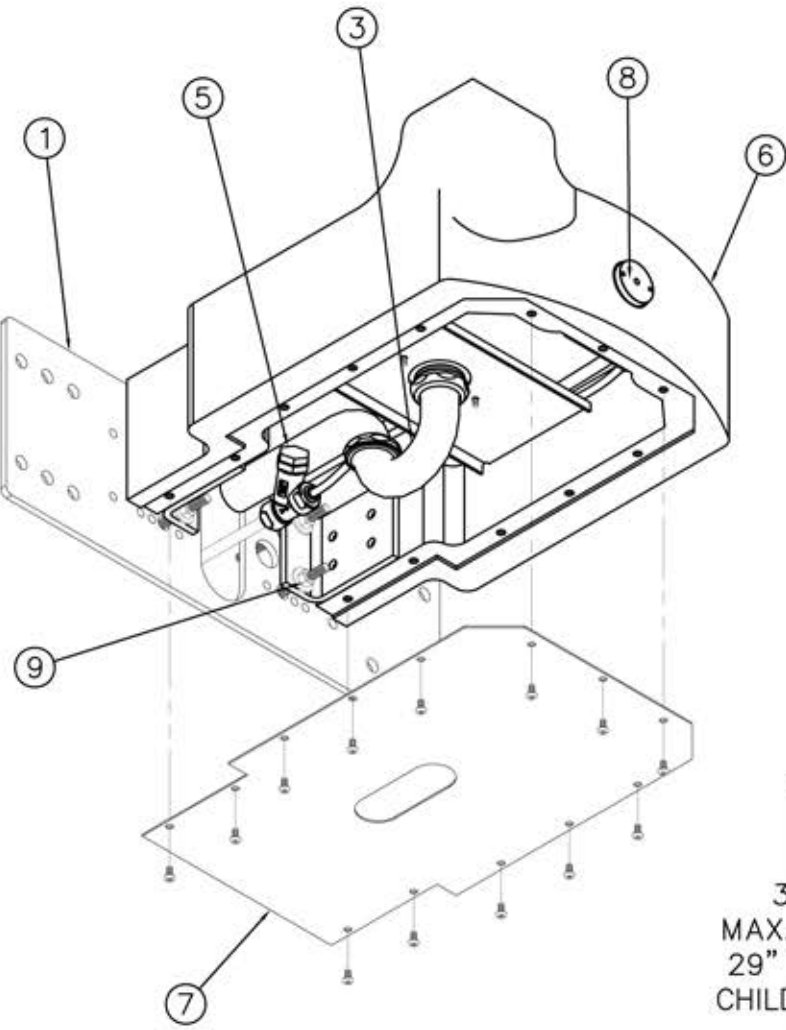
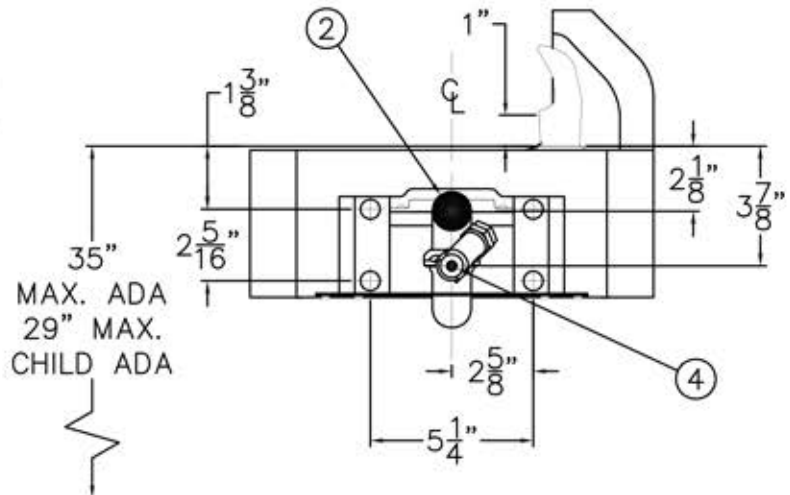


**DETAIL A
FLOW ADJUSTMENT**



BACK ROUGH-IN VIEW



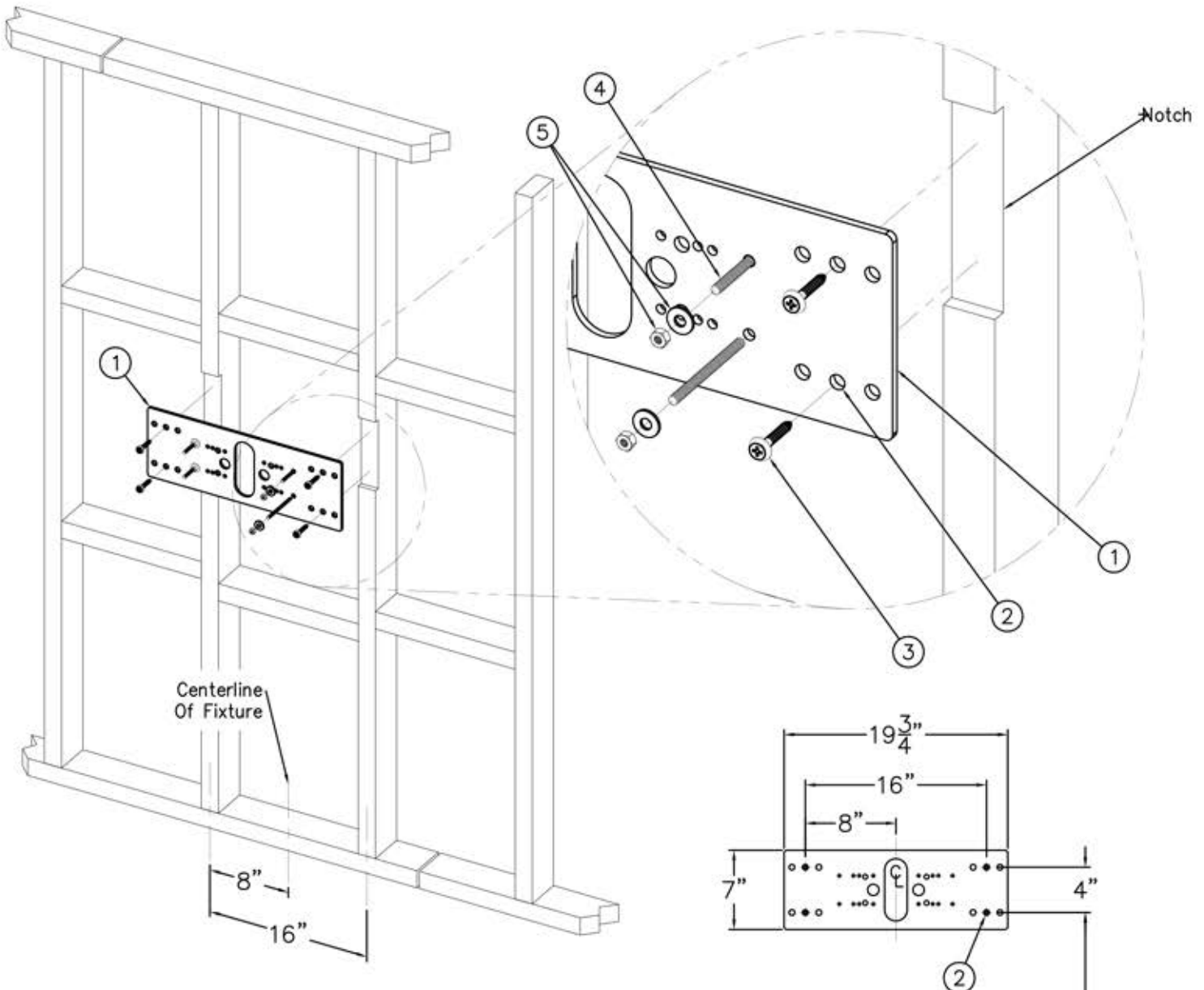
INSTALLATION INSTRUCTIONS:

- A- REFER TO DRAWING # 9938-375-OM1 TO INSTALL STANDARD SUPPLIED WALL MOUNTING PLATE (1).
- B- ROUGH-IN WASTE OUTLET (2) AT DIMENSION SHOWN FOR 1-1/4" OUTER DIAMETER PLAIN END P-TRAP (3).
- C- ROUGH-IN WATER SUPPLY (4) AT DIMENSION SHOWN FOR THE 1/4" NOMINAL (3/8" O.D.) x 4" LONG COPPER TUBE CONNECTED TO THE IN-LINE STRAINER (5) PROVIDED. STOP RECOMMENDED ON SUPPLY IS TO BE SUPPLIED BY OTHERS.
- D- CAREFULLY REMOVE FIXTURE (6) AND COMPONENTS FROM THE PACKAGING PREVENTING SCRATCHING AND DAMAGE.
- E- REMOVE BOTTOM ACCESS PANEL (7). ENSURE PUSHBUTTON (8), P-TRAP (3), AND BUBBLER ARE SECURE AND CHECK ALL TUBING CONNECTIONS TO MAKE SURE THEY DID NOT COME LOOSE IN SHIPMENT.

- F- SLIDE FIXTURE OVER STUDS FROM WALL MOUNTING PLATE (1) AND SECURE WITH NUTS AND WASHERS (9).
- G- MAKE-UP 1-1/4" O.D. WASTE CONNECTION TO P-TRAP (3).
- H- FLUSH WATER SUPPLY (4) BY OTHERS OF ALL DEBRIS PRIOR TO CONNECTING TO FIXTURE.
- I- CONNECT WATER SUPPLY (4) BY OTHERS TO 1/4" NOMINAL COPPER TUBE INLET. STOP ON THE SUPPLY IS RECOMMENDED.
- J- TEST OPERATION OF BUBBLER BY DEPRESSING BUTTON (8). ADJUST THE FLOW RATE AS REQUIRED. SEE **DETAIL A**. CHECK ALL CONNECTIONS AND WASTE PIPING FOR LEAKS. CORRECT IF PRESENT.
- K- RE-INSTALL BOTTOM ACCESS PANEL (7).

NOTE:
STANDARD VALVE SHOWN. FOR THE OPTIONAL -FRA1 FREEZE RESISTANT VALVE REFERENCE DRAWING # 9938-330-OM1.

TITLE		
SQUARE OUTDOOR STONE WALL MOUNTED DRINKING FOUNTAIN		
MANUFACTURE DATE	DATE ISSUED	DRAWING NUMBER
OCTOBER 2005	10/26/10	9938-210-OM1
TO PRESENT	DATE REVISED	



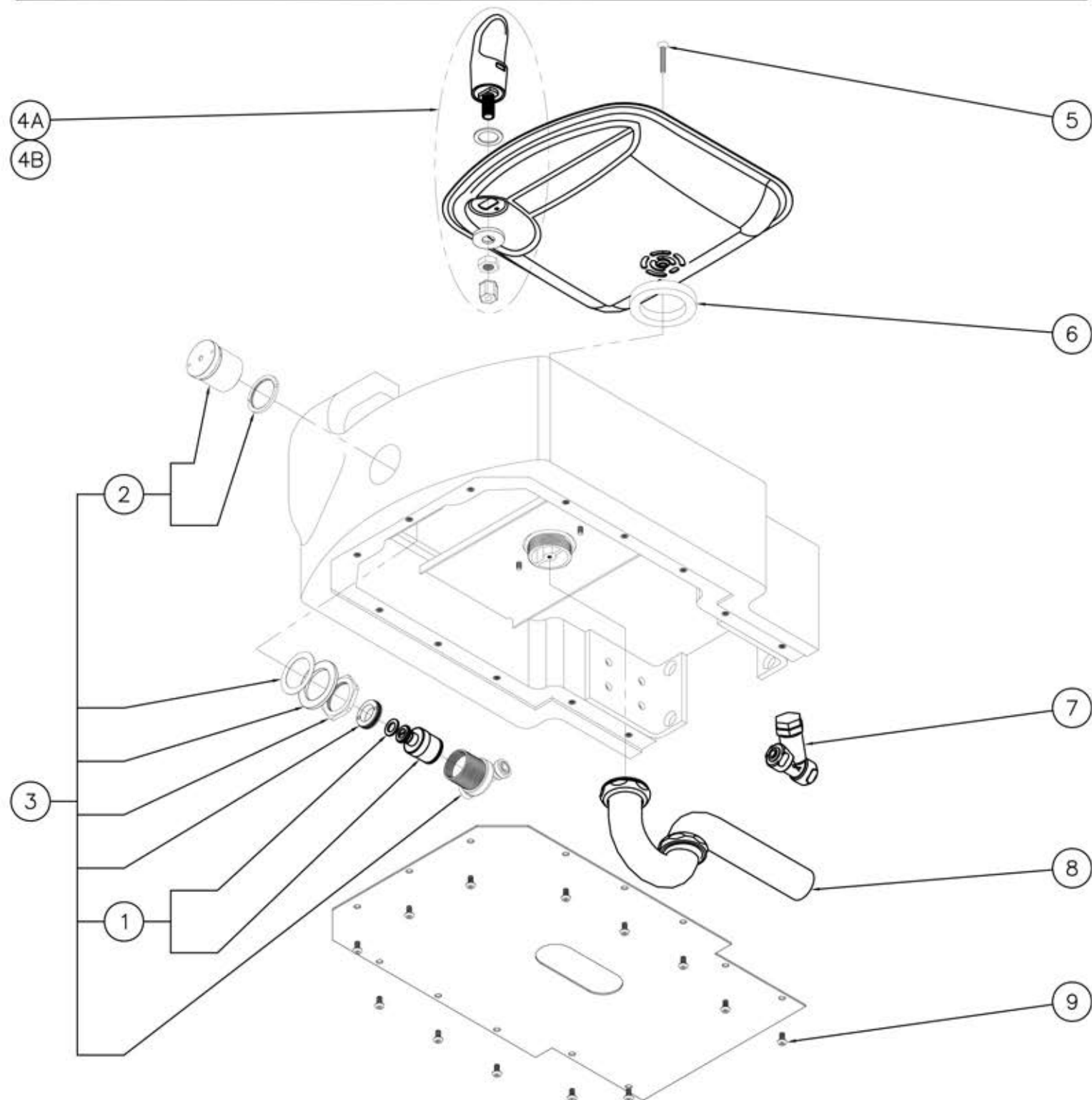
INSTALLATION INSTRUCTIONS:

- A- PROVIDE STRUCTURAL WALL SUPPORT AT THE 16" SPACING AS SHOWN FOR ANCHORING THE -MP1 MOUNTING PLATE (1).
- B- MOUNTING PLATE (1) IS 1/4" THICK WITH 1/2" DIAMETER HOLES (2) IN 12 PLACES FOR ANCHORING HARDWARE (3) BY OTHERS. NOTCH/PREPARE WALL SO THAT PLATE (1) AND INSTALLER PROVIDED HARDWARE (3) WILL BE CONCEALED BEHIND THE WALL FINISHING MATERIAL.
- C- THREAD 5/16" ALL-THREAD STUDS (4) THRU PLATE (1) SO THAT MINIMUM 1-1/4" OF STUD WILL PROTRUDE BEYOND THE FINISHED WALL FACE. REFERENCE FIXTURE ROUGH-INS FOR LOCATION.
- D- SECURELY ANCHOR PLATE (1) TO WALL WITHIN NOTCHED AREA USING HARDWARE (3) BY OTHERS.
- E- MAKE APPROPRIATE SUPPLY AND WASTE ROUGH-INS THRU THE MOUNTING PLATE (1).
- F- COMPLETE INSTALLATION OF FINISHED WALL LEAVING STUDS (4) PROTRUDING AND ROUGH-INS ACCESSIBLE.
- G- SLIDE FIXTURE OVER STUDS (4) UP AGAINST FINISHED WALL AND SECURE WITH NUTS AND WASHERS (5). COMPLETE THE INSTALLATION REFERENCING THE FIXTURE INSTRUCTIONS.

<p>TITLE STANDARD -MP1 WALL MOUNTING PLATE AND HARDWARE</p>		
<p>MANUFACTURE DATE</p> <p>JANUARY 2006</p> <p>TO PRESENT</p>	<p>DATE ISSUED</p> <p>10/21/08</p> <p>DATE REVISED</p> <p>10/25/10</p>	<p>DRAWING NUMBER</p> <p>9938-375-OM1</p>

REPAIR PARTS

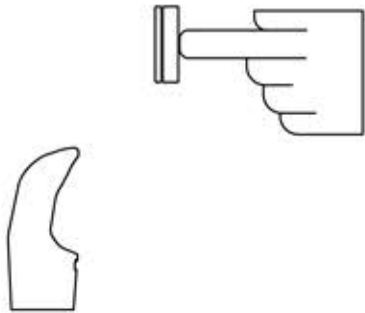

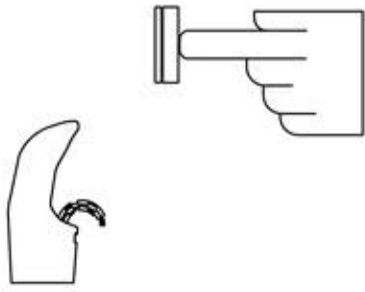
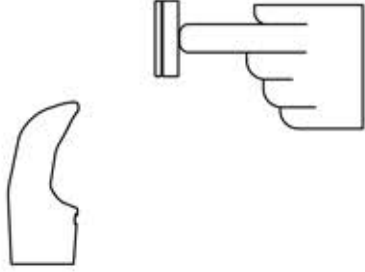
Contemporary Drinking Fountain



1	7000-069-001	VALVE CARTRIDGE WITH FOAM WASHER	5	0152-040-000	ALLEN FLAT HEAD SCREW
2	7000-076-001	RETAINING RING AND STONE BUTTON ASSY	6	7000-006-000	FLAT DRAIN ADAPTER GASKET
3	6154-035-002	STONE RECESSED PUSHBUTTON VALVE ASSY	7	7000-022-000	"Y" STRAINER
4A	7000-002-001	STANDARD CHROME PLATED BRASS BUBBLER	8	7000-015-000	1-1/4" OUTER DIAMETER P-TRAP
4B	7000-410-002	"F" OPTION FLEXIBLE BUBBLER ASSEMBLY	9	0112-002-000	CENTER REJECT ALLEN BUTTON HEAD SCREW
ITEM	PART NUMBER	DESCRIPTION	ITEM	PART NUMBER	DESCRIPTION

TITLE			
SQUARE OUTDOOR STONE WALL MOUNTED DRINKING FOUNTAIN			
MANUFACTURE DATE		DATE ISSUED	DRAWING NUMBER
JANUARY 2006 TO PRESENT		10/26/10	9938-210-5M0
		DATE REVISED	
		04/13/12	

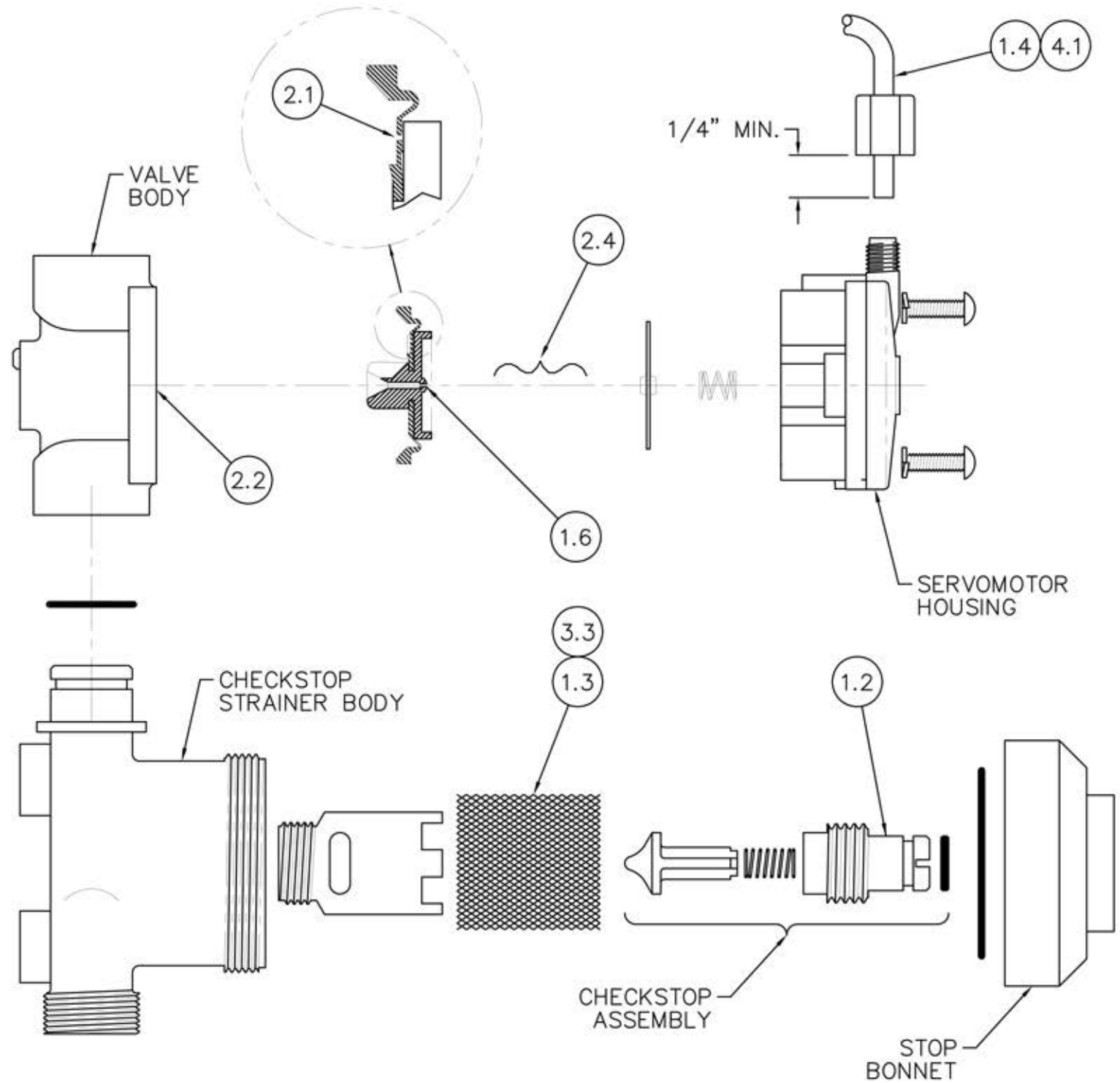
**PUSH PAD / PUSH BUTTON FREEZE RESISTANT & STONE DRINKING FOUNTAINS
NON-METERING AIR-CONTROLLED VALVE - (DIRECT ACTING)**

CONDITION:	SOLUTION:
<p>NO WATER FLOW:</p> 	<ol style="list-style-type: none"> 1.1 Check water main supply – open. 1.2 Inspect checkstops – open. 1.3 Inspect checkstop strainer for debris – clean. 1.4 Check 1/8” O.D. tubing and fittings for leaks. 1.5 Check pushbutton air diaphragm for holes. 1.6 Check servomotor diaphragm center hole for blockage.
<p>WATER DRIPS / WILL NOT SHUT OFF:</p> 	<ol style="list-style-type: none"> 2.1 Check servomotor diaphragm offset hole for debris. 2.2 Check servomotor seat for build-up or damage. 2.3 Check servomotor seat o-ring for damage. 2.4 Check servomotor plate and diaphragm for obstruction.
<p>REDUCED WATER FLOW:</p> 	<ol style="list-style-type: none"> 3.1 Check water main supply for 20 psig minimum flow pressure. 3.2 Check valve riser tubing for crimping. 3.3 Inspect checkstop strainer for debris – clean. 3.4 Check valve flow control for blockage – clean. 3.5 Inspect bubbler for debris – clean.
<p>PREMATURE WATER SHUTOFF:</p> 	<ol style="list-style-type: none"> 4.1 Check 1/8” O.D. tubing and fittings for leaks. 4.2 Check pushbutton air diaphragm for holes.

Refer to Air-Controlled Valve Maintenance Detail on drawing # 9940-203-0M1 for -FRA_ Above Ground units and on drawing # 9940-204-0M1 for Stone & -FRU_ Below Ground units to locate solutions above.

TITLE				STONE & FREEZE RESISTANT FOUNTAIN VALVE MAINTENANCE INSTRUCTIONS			
MANUFACTURE DATE		DATE ISSUED		DRAWING NUMBER			
JANUARY 2006 TO PRESENT		10/25/10		DATE REVISED		9940-202-0M1	

**PUSH PAD / PUSH BUTTON STONE & BELOW GROUND FREEZE RESISTANT DRINKING FOUNTAINS
NON-METERING AIR-CONTROLLED VALVE - (DIRECT ACTING)**



CHECKSTOP STRAINER - SERVOMOTOR DETAIL

Refer to drawing #9940-202-0M1 for Valve Maintenance Instructions numbered solutions detailed above.

TITLE NON-METERING AIR-CONTROLLED VALVE MAINTENANCE INSTRUCTIONS		
MANUFACTURE DATE JANUARY 2006 TO PRESENT	DATE ISSUED 10/25/10	DRAWING NUMBER 9940-204-0M1
	DATE REVISED	

GV Series

MODEL GVC59

BARRIER FREE,
WALL MOUNTED DRINKING FOUNTAIN

STANDARD FEATURES

- *Both Child and Adult Compliant (when properly installed)*
- *Resistant to sunlight, heat, moisture and wear*
- *18 gage, 304 stainless steel bowl*
- *Reinforced concrete with aggregate finish*
- *Polished chrome plated brass, anti-rotation non-squirt bubbler*
- *100 mesh inlet strainer*
- *P-trap, 1-1/4" O.D.*
- *Vandal resistant galvanized steel bottom plate and screws*
- *Mounting plate*

SUGGESTED SPECIFICATIONS

Model GVC59 is a wall mounted, vandal resistant drinking fountain made from an 18 gage, 304 stainless steel bowl mounted into a brown concrete aggregate arm. Unit shall be activated by a front mounted self-closing button, by using less than 5 pounds of force, which activates an internally mounted valve with an adjustable stream regulator controlling the water flow. Bubbler shall be polished chrome plated brass with a non-squirt feature and operate on water pressure range of 20-105 psig. Unit shall adhere to ANSI A117.1 and Americans with Disabilities Act of 1990 frontal approach and protruding objects requirements, **Child ADA** parallel and frontal approach and ANSI/NSF 61, Section 9 and CHSC 116875.



Standard Model: GVC59

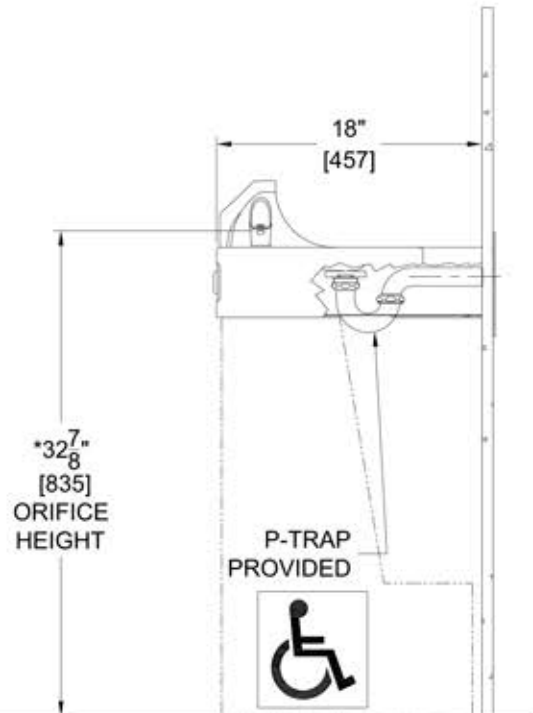
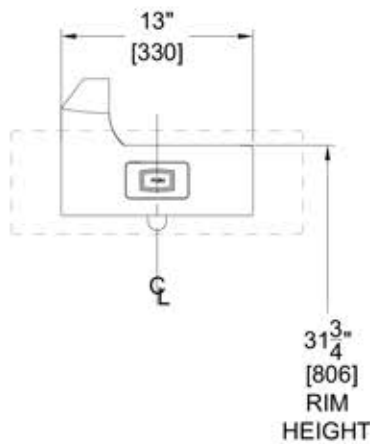
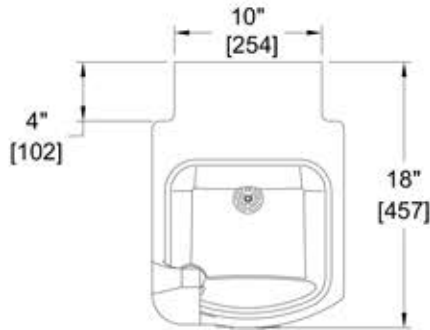
OPTIONAL ACCESSORIES

(additional costs may be incurred)

- CSC Concealed support carrier
- FRA1 Freeze resistant valve
- "8"** Tan concrete aggregate finish (Use model GVC58)

GV Series MODEL GVC59

BARRIER FREE,
WALL MOUNTED DRINKING FOUNTAIN



GENERAL NOTES:

1. ALL DIMENSIONS ARE IN INCHES [MM].
- *2. DIMENSIONS SHOWN ARE FOR RECOMMENDED ADULT HEIGHT. ADJUST VERTICAL DIMENSIONS AS NECESSARY TO COMPLY WITH FEDERAL, STATE, & LOCAL CODES.
3. STOP VALVE NOT PROVIDED.

ONE YEAR LIMITED WARRANTY - Parts are warranted for one (1) year from date of shipment.

SELECTION SUMMARY & APPROVAL FOR MANUFACTURING

Model Numbers & Options _____	Quantity _____
Company _____	Date _____
Contact _____	Title _____
Approval for Manufacturing/Signature _____	