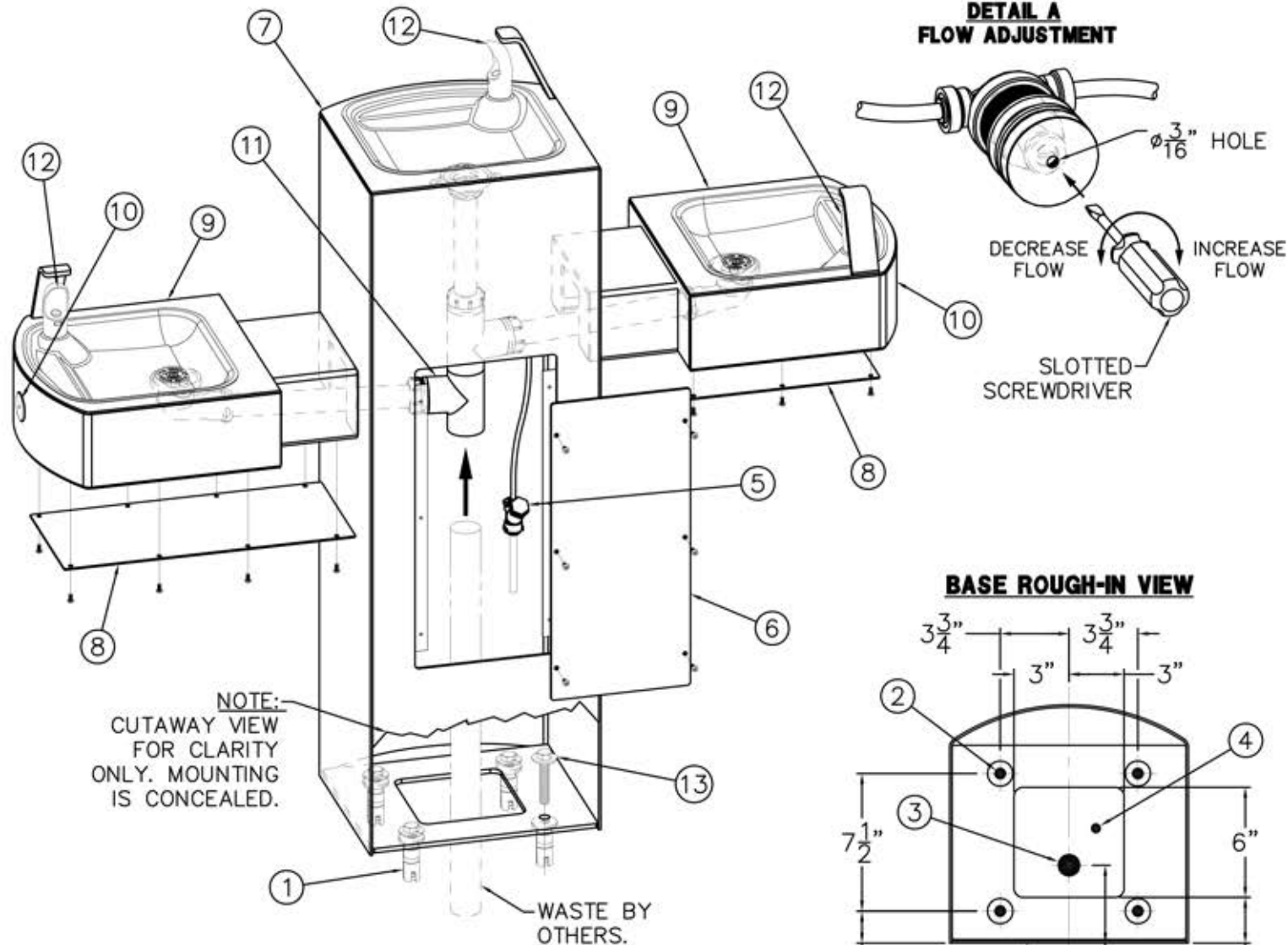


INSTALLATION INSTRUCTIONS

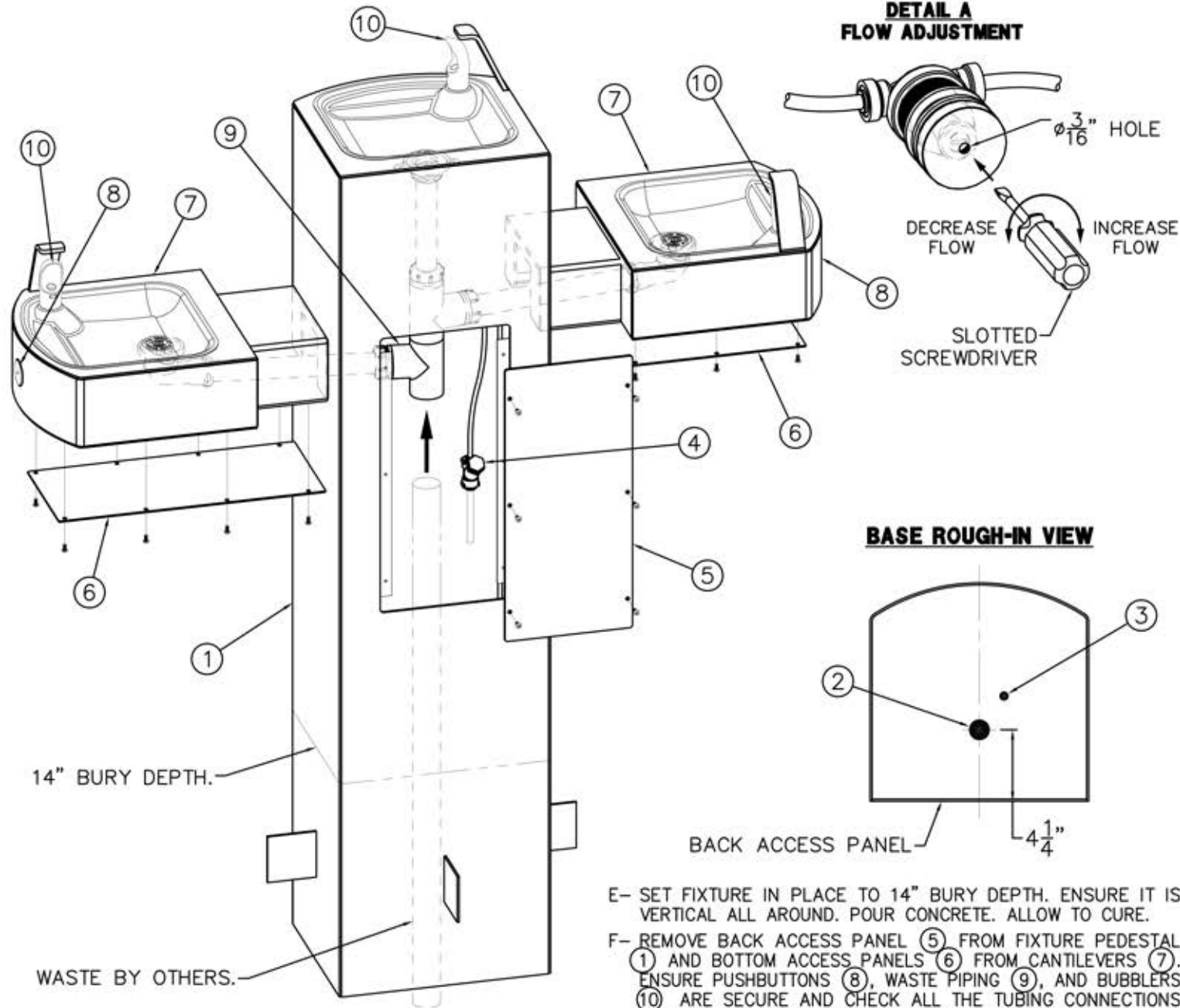
Contemporary Drinking Fountain



INSTALLATION INSTRUCTIONS:

- A- PROVIDE 30" SQUARE MINIMUM x 6" DEEP MINIMUM CONCRETE SLAB BY OTHERS TO SECURELY ANCHOR FIXTURE. INSTALL THE FOUR PROVIDED CONCRETE ANCHORS (1) AT DIMENSIONS SHOWN TO MATCH HOLES (2) IN FIXTURE BASE.
- B- ROUGH-IN WASTE OUTLET (3) AT DIMENSION SHOWN FOR 1-1/4" PVC PIPE SIZE OR USE THE COMPRESSION ADAPTER PROVIDED LOOSE FOR 1-1/4" OUTER DIAMETER TUBE.
- C- ROUGH-IN WATER SUPPLY (4) WITHIN 6" SQUARE BOTTOM OPENING FOR 1/4" NOMINAL (3/8" O.D.) x 4" LONG COPPER TUBE CONNECTED TO IN-LINE STRAINER (5) PROVIDED. STOP RECOMMENDED ON SUPPLY TO BE SUPPLIED BY OTHERS.
- D- CAREFULLY REMOVE THE FIXTURE AND COMPONENTS FROM THE PACKAGING PREVENTING SCRATCHING AND DAMAGE.
- E- REMOVE BACK ACCESS PANEL (6) FROM FIXTURE PEDESTAL (7) AND BOTTOM ACCESS PANELS (8) FROM CANTILEVERS (9). ENSURE PUSHBUTTONS (10), WASTE PIPING (11), AND BUBBLERS (12) ARE SECURE AND CHECK ALL THE TUBING CONNECTIONS TO MAKE SURE THEY DID NOT COME LOOSE IN SHIPMENT.
- F- SET PEDESTAL (7) IN PLACE ALIGNING BASE HOLES (2) WITH THE INSTALLED ANCHORS (1) AND SECURE WITH THE 1/2" UNC HARDWARE (13) PROVIDED.
- G- MAKE-UP WASTE CONNECTION TO THE WASTE PIPING (11).
- H- FLUSH WATER SUPPLY (4) BY OTHERS OF ALL DEBRIS PRIOR TO CONNECTING TO FIXTURE.
- I- CONNECT WATER SUPPLY (4) BY OTHERS TO 1/4" NOMINAL COPPER TUBE INLET. STOP ON THE SUPPLY IS RECOMMENDED.
- J- TEST OPERATION OF BUBBLERS BY DEPRESSING BUTTONS (10). ADJUST THE FLOW RATE AS REQUIRED. SEE DETAIL A. CHECK ALL CONNECTIONS AND WASTE PIPING FOR LEAKS. CORRECT IF PRESENT.
- K- RE-INSTALL BACK ACCESS PANEL (6) AND BOTTOM ACCESS PANEL (8).

TITLE		
SQUARE OUTDOOR STEEL PEDESTAL TRI-LEVEL DRINKING FOUNTAIN		
MANUFACTURE DATE	DATE ISSUED	DRAWING NUMBER
JANUARY 2006	10/21/08	9938-170-0M1
TO PRESENT	DATE REVISED	
	10/26/10	



INSTALLATION INSTRUCTIONS:

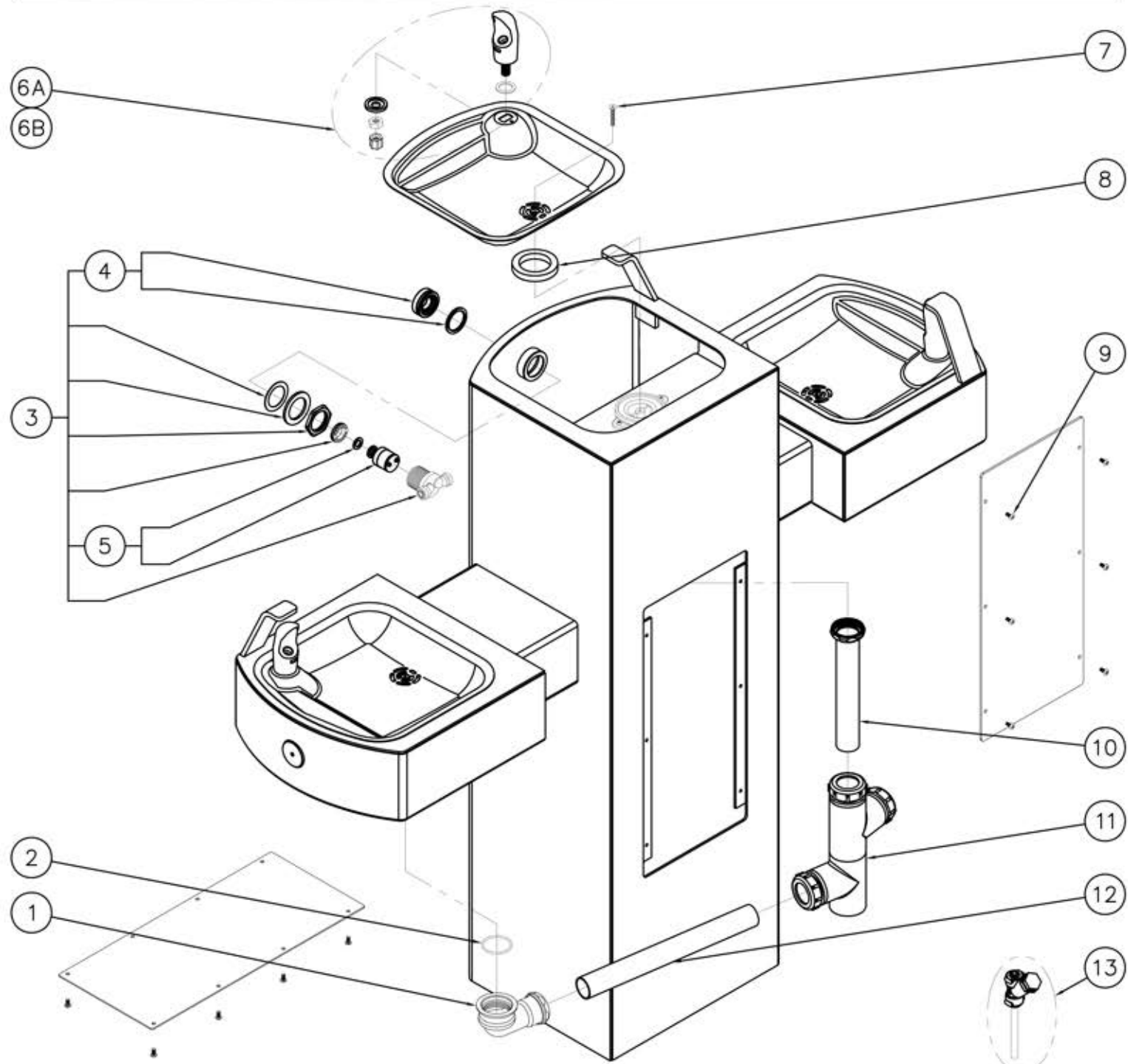
- A- PREPARE INSTALLATION LOCATION TO BURY FIXTURE PEDESTAL (1) TO 14" DEPTH.
- B- ROUGH-IN WASTE OUTLET (2) AT DIMENSION SHOWN FOR 1-1/4" PVC PIPE SIZE OR USE THE COMPRESSION ADAPTER PROVIDED LOOSE FOR 1-1/4" OUTER DIAMETER TUBE.
- C- ROUGH-IN WATER SUPPLY (3) FOR 1/4" NOMINAL (3/8" O.D.) x 4" LONG COPPER TUBE CONNECTED TO IN-LINE STRAINER (4) PROVIDED. RECOMMENDED SUPPLY STOP BY OTHERS.
- D- CAREFULLY REMOVE THE FIXTURE AND COMPONENTS FROM THE PACKAGING PREVENTING SCRATCHING AND DAMAGE.

- E- SET FIXTURE IN PLACE TO 14" BURY DEPTH. ENSURE IT IS VERTICAL ALL AROUND. POUR CONCRETE. ALLOW TO CURE.
- F- REMOVE BACK ACCESS PANEL (5) FROM FIXTURE PEDESTAL (1) AND BOTTOM ACCESS PANELS (6) FROM CANTILEVERS (7). ENSURE PUSHBUTTONS (8), WASTE PIPING (9), AND BUBBLERS (10) ARE SECURE AND CHECK ALL THE TUBING CONNECTIONS TO MAKE SURE THEY DID NOT COME LOOSE IN SHIPMENT.
- G- MAKE-UP WASTE CONNECTION TO THE WASTE PIPING (9).
- H- FLUSH WATER SUPPLY (3) BY OTHERS OF ALL DEBRIS PRIOR TO CONNECTING TO FIXTURE.
- I- CONNECT WATER SUPPLY (3) BY OTHERS TO 1/4" NOMINAL COPPER TUBE INLET. STOP ON THE SUPPLY IS RECOMMENDED.
- J- TEST OPERATION OF BUBBLERS BY DEPRESSING BUTTONS (8). ADJUST THE FLOW RATE AS REQUIRED. SEE DETAIL A. CHECK ALL CONNECTIONS AND WASTE PIPING FOR LEAKS. CORRECT IF PRESENT.
- K- RE-INSTALL BACK ACCESS PANEL (5) AND BOTTOM ACCESS PANELS (6).

TITLE -IGM IN-GROUND MOUNTING SQUARE OUTDOOR STEEL TRI-LEVEL FOUNTAIN		
MANUFACTURE DATE JANUARY 2006 TO PRESENT	DATE ISSUED 10/21/08	DRAWING NUMBER 9938-171-0M1
	DATE REVISED 10/26/10	

REPAIR PARTS

Contemporary Drinking Fountain



1	7000-017-001	ELBOW ASSEMBLY	8	7000-006-000	FLAT DRAIN ADAPTER GASKET
2	0401-128-000	O-RING	9	0112-002-000	CENTER REJECT ALLEN BUTTON HEAD SCREW
3	7000-065-001	RECESSED PUSHBUTTON VALVE ASSEMBLY	10	7000-019-001	1-1/4" OUTER DIAMETER TAILPIECE
4	7000-068-001	RETAINING RING AND BUTTON ASSEMBLY	11	7002-012-001	TRI-LEVEL PIPING ASSEMBLY
5	7000-069-001	VALVE CARTRIDGE WITH FOAM WASHER	12	7000-111-199	1-1/4" O.D. x 14" LONG DRAIN TUBE
6A	7000-002-001	STANDARD CHROME PLATED BRASS BUBBLER	13	7000-022-001	"Y" STRAINER ASSEMBLY
6B	7000-410-002	"F" OPTION FLEXIBLE BUBBLER ASSEMBLY			
7	0152-010-000	CENTER REJECT ALLEN FLAT HEAD SCREW			

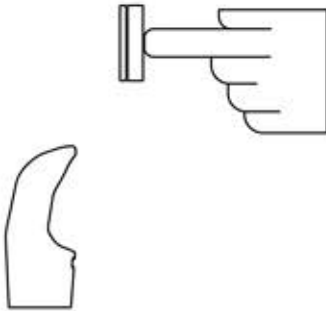
ITEM	PART NUMBER	DESCRIPTION	ITEM	PART NUMBER	DESCRIPTION
TITLE					
SQUARE OUTDOOR STEEL PEDESTAL TRI-LEVEL DRINKING FOUNTAIN					
MANUFACTURE DATE			DATE ISSUED		DRAWING NUMBER
JANUARY 2006			10/21/08		
TO PRESENT			DATE REVISED		9938-170-5M0
			10/26/10		

STANDARD PUSH PAD / PUSH BUTTON DRINKING FOUNTAIN

CONDITION:

SOLUTION:

NO WATER FLOW:



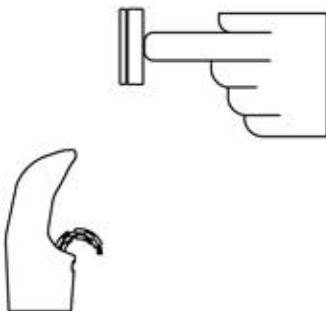
- 1.1 Check water main supply – open.
- 1.2 Inspect stop (by others) – open & no debris.
- 1.3 Inspect in-line strainer for debris – clean.
- 1.4 Replace valve cartridge.

WATER DRIPS / WILL NOT SHUT OFF:



- 2.1 For push pad activated drinking fountains only: Open fixture and move valve bracket assembly further back from push pad.
- 2.2 Replace valve cartridge.

REDUCED WATER FLOW:



- 3.1 Adjust the valve flow rate. See appropriate fixture installation instructions.
- 3.2 Check water main supply for 20 psig minimum flow pressure.
- 3.3 Inspect stop (by others) – open & no debris.
- 3.4 Inspect in-line strainer for debris – clean.
- 3.5 Inspect bubbler for debris – clean.
- 3.6 Inspect all tubing for twists or kinks.
- 3.7 Replace valve cartridge.

TITLE **DRINKING FOUNTAIN VALVE MAINTENANCE INSTRUCTIONS**

MANUFACTURE DATE
JANUARY 2006
TO PRESENT

DATE ISSUED
10/21/08
DATE REVISED
10/25/10

DRAWING NUMBER
9940-200-0M1

GS Series

MODEL GSQ45

BARRIER FREE, TRI-LEVEL,
PEDESTAL MOUNTED
DRINKING FOUNTAIN

STANDARD FEATURES

- *Both Child and Adult ADA Compliant (when properly installed)*
- *Resistant to sunlight, heat, moisture and wear*
- *18 gage, 304 stainless steel bowl*
- *12 gage, heavy duty stainless steel, corrosion and scratch resistant finish*
- *Polished chrome plated brass, anti-rotation non-squirt bubbler*
- *100 mesh inlet strainer*
- *Access door, heavy duty stainless steel, vandal resistant*
- *Vandal resistant stainless steel bottom plate*

SUGGESTED SPECIFICATIONS

Model GSQ45 is a barrier free pedestal mounted, vandal resistant, tri-level square drinking fountain made from 18 gage, 304 stainless steel bowls mounted into a green powder coated 12 gage, heavy duty stainless steel pedestal. Unit shall be activated by front mounted self-closing buttons, by using less than 5 pounds of force, which activates internally mounted valves with adjustable stream regulators controlling the water flow. Bubblers shall be polished chrome plated brass with non-squirt features and operate on water pressure range of 20-105 psig. Unit shall adhere to ANSI A117.1 and Americans with Disabilities Act of 1990 frontal approach and protruding objects requirements, **Child ADA** parallel and frontal approach and ANSI/NSF 61, Section 9 and CHSC 116875.



Standard Model: GSQ45

OPTIONAL ACCESSORIES

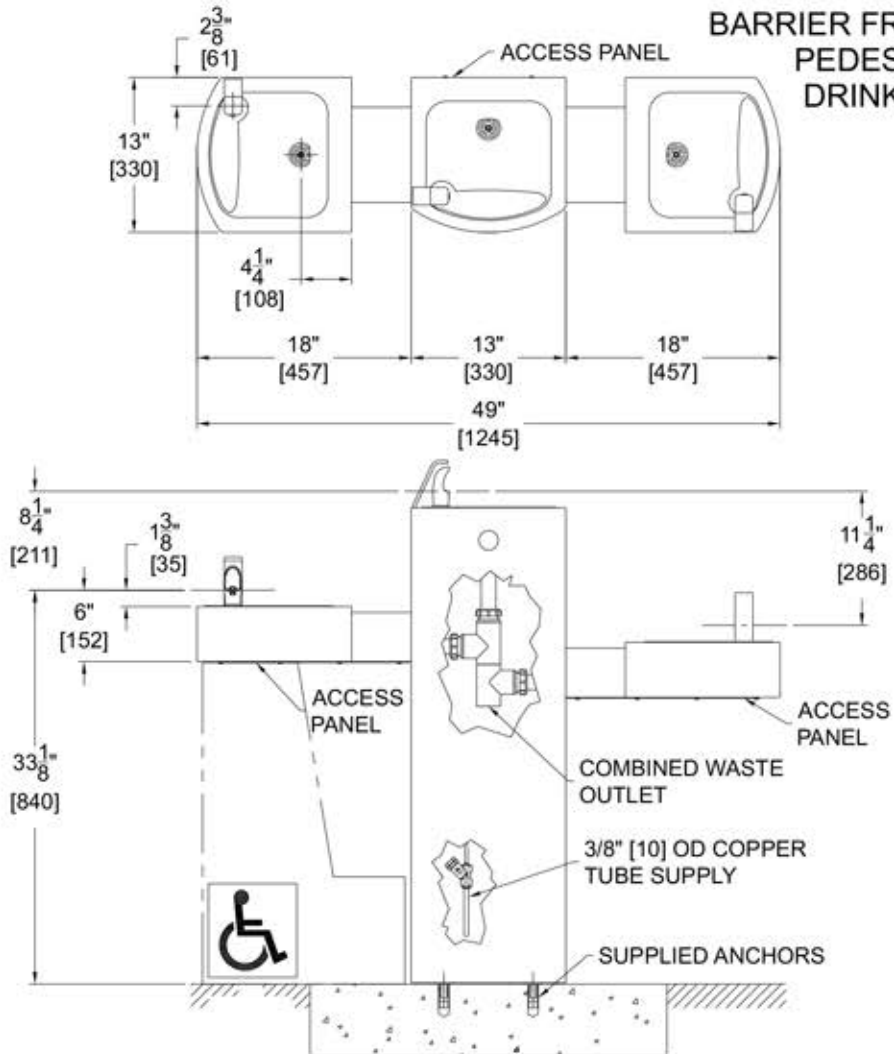
(additional costs may be incurred)

- FRU3 Freeze resistant valve (see separate submittal sheet)
- FS Foot spray
- HB1 Hose bibb, compression, with hose threaded outlet/VB
- HB2 Hose bibb, loose key, with hose threaded outlet/VB
- HB3 Hose bibb, loose key, vandal resistant with hose threaded outlet/VB
- IGM In-ground 14" mounting
- JF1 Jug filler, spigot, self-closing valve with plain end
- JF2 Jug filler, pushbutton, self-closing valve with plain end
- NP3 Non-pollutable, freeze resistant valve
- PF Pet fountain receptor
- "6" Firehouse red powder coated finish (Use model GSQ46)
- "7" Alpine blue powder coated finish (Use model GSQ47)

Custom color finishes available upon request

GS Series MODEL GSQ45

BARRIER FREE, TRI-LEVEL,
PEDESTAL MOUNTED
DRINKING FOUNTAIN



GENERAL DIMENSIONS:
1. ALL DIMENSIONS ARE IN INCHES [MM].
2. STOP VALVE NOT PROVIDED.

ONE YEAR LIMITED WARRANTY - Parts are warranted for one (1) year from date of shipment.

SELECTION SUMMARY
& APPROVAL FOR
MANUFACTURING

Model Number & Options _____ Quantity _____

Company _____

Contact _____ Title _____

Signature (Approval for Manufacturing) _____ Date _____