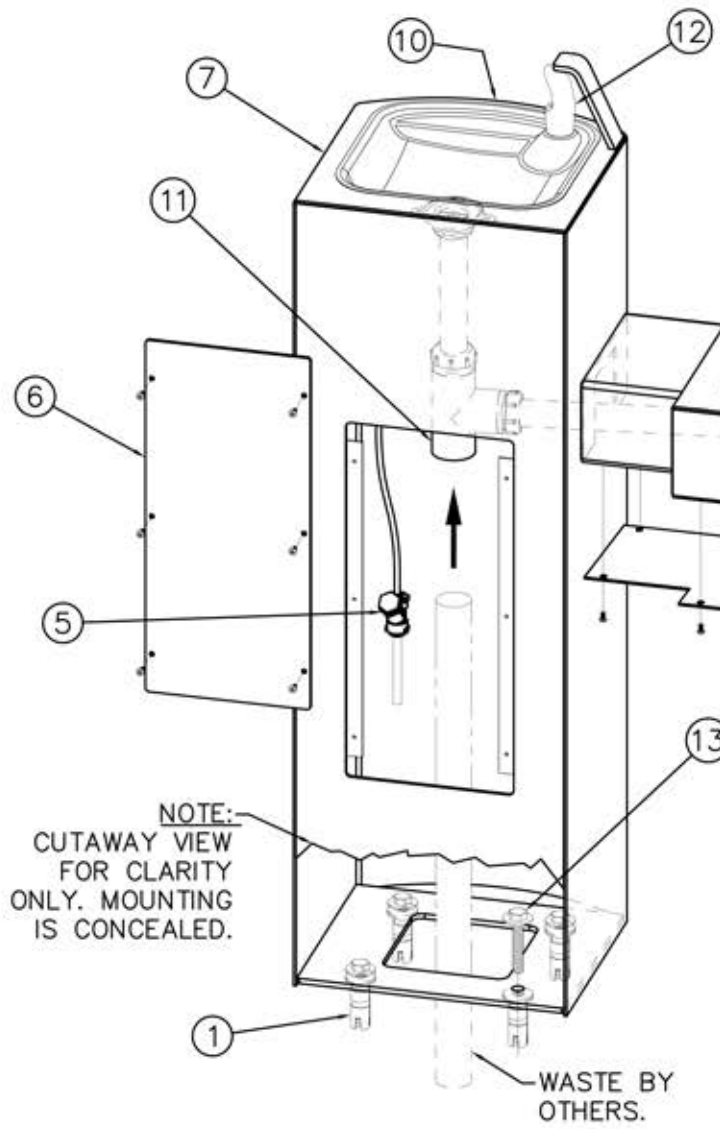
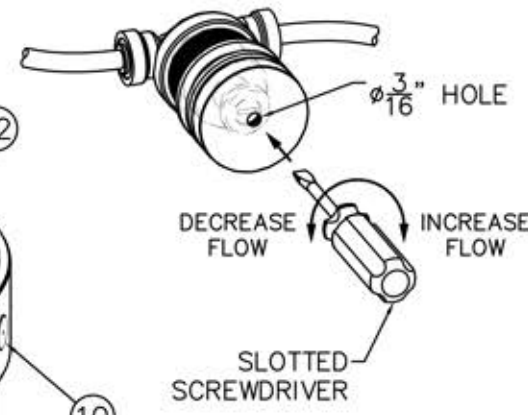


INSTALLATION INSTRUCTIONS

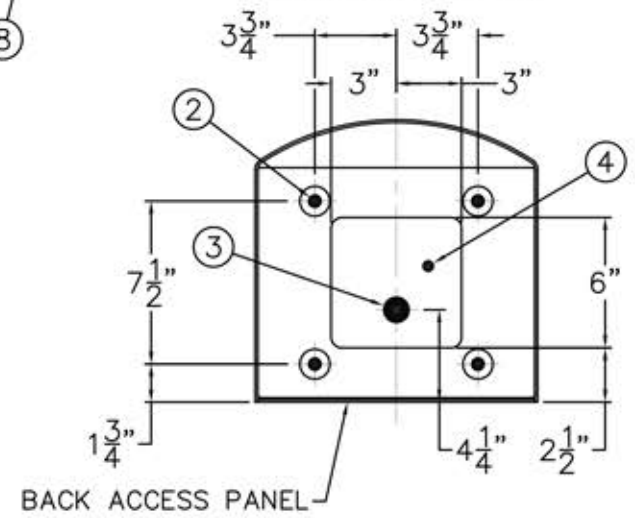
Contemporary Drinking Fountain



DETAIL A FLOW ADJUSTMENT



BASE ROUGH-IN VIEW

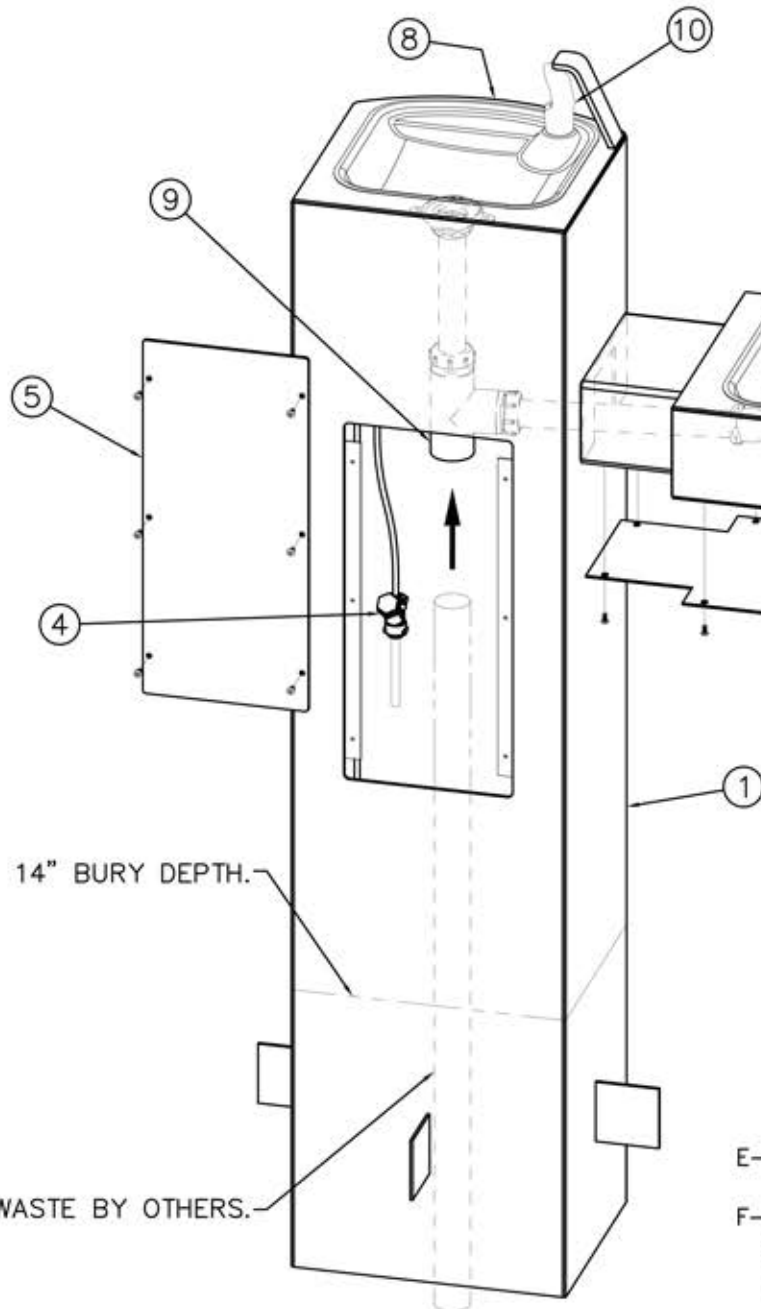


INSTALLATION INSTRUCTIONS:

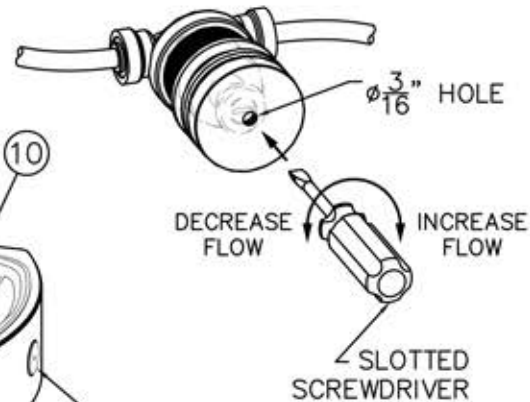
- A- PROVIDE 30" SQUARE MINIMUM x 6" DEEP MINIMUM CONCRETE SLAB BY OTHERS TO SECURELY ANCHOR FIXTURE. INSTALL THE FOUR PROVIDED CONCRETE ANCHORS ① AT DIMENSIONS SHOWN TO MATCH HOLES ② IN FIXTURE BASE.
- B- ROUGH-IN WASTE OUTLET ③ AT DIMENSION SHOWN FOR 1-1/4" PVC PIPE SIZE OR USE THE COMPRESSION ADAPTER PROVIDED LOOSE FOR 1-1/4" OUTER DIAMETER TUBE.
- C- ROUGH-IN WATER SUPPLY ④ WITHIN 6" SQUARE BOTTOM OPENING FOR 1/4" NOMINAL (3/8" O.D.) x 4" LONG COPPER TUBE CONNECTED TO IN-LINE STRAINER ⑤ PROVIDED. STOP RECOMMENDED ON SUPPLY TO BE SUPPLIED BY OTHERS.
- D- CAREFULLY REMOVE THE FIXTURE AND COMPONENTS FROM THE PACKAGING PREVENTING SCRATCHING AND DAMAGE.
- E- REMOVE BACK ACCESS PANEL ⑥ FROM FIXTURE PEDESTAL ⑦ AND BOTTOM ACCESS PANEL ⑧ FROM CANTILEVER ⑨. ENSURE PUSHBUTTONS ⑩, WASTE PIPING ⑪, AND BUBBLERS ⑫ ARE SECURE AND CHECK ALL THE TUBING CONNECTIONS TO MAKE SURE THEY DID NOT COME LOOSE IN SHIPMENT.

- F- SET PEDESTAL ⑦ IN PLACE ALIGNING BASE HOLES ② WITH THE INSTALLED ANCHORS ① AND SECURE WITH THE 1/2" UNC HARDWARE ⑬ PROVIDED.
- G- MAKE-UP WASTE CONNECTION TO THE WASTE PIPING ⑪.
- H- FLUSH WATER SUPPLY ④ BY OTHERS OF ALL DEBRIS PRIOR TO CONNECTING TO FIXTURE.
- I- CONNECT WATER SUPPLY ④ BY OTHERS TO 1/4" NOMINAL COPPER TUBE INLET. STOP ON THE SUPPLY IS RECOMMENDED.
- J- TEST OPERATION OF BUBBLERS BY DEPRESSING BUTTONS ⑩. ADJUST THE FLOW RATE AS REQUIRED. SEE DETAIL A. CHECK ALL CONNECTIONS AND WASTE PIPING FOR LEAKS. CORRECT IF PRESENT.
- K- RE-INSTALL BACK ACCESS PANEL ⑥ AND BOTTOM ACCESS PANEL ⑧.

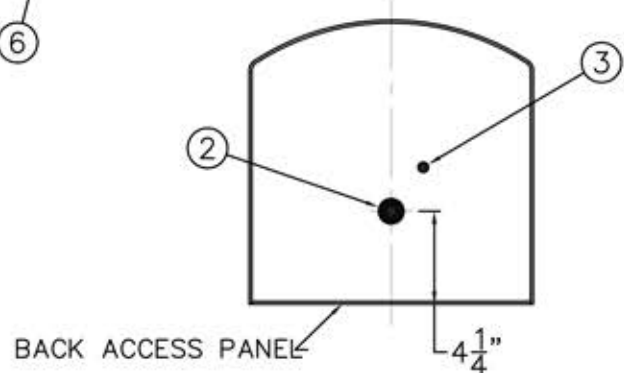
TITLE SQUARE OUTDOOR STEEL PEDESTAL BI-LEVEL DRINKING FOUNTAIN		
MANUFACTURE DATE JANUARY 2006 TO PRESENT	DATE ISSUED 10/21/08	DRAWING NUMBER 9938-165-OM1
	DATE REVISED 01/16/12	



**DETAIL A
FLOW ADJUSTMENT**



BASE ROUGH-IN VIEW



14" BURY DEPTH.

WASTE BY OTHERS.

INSTALLATION INSTRUCTIONS:

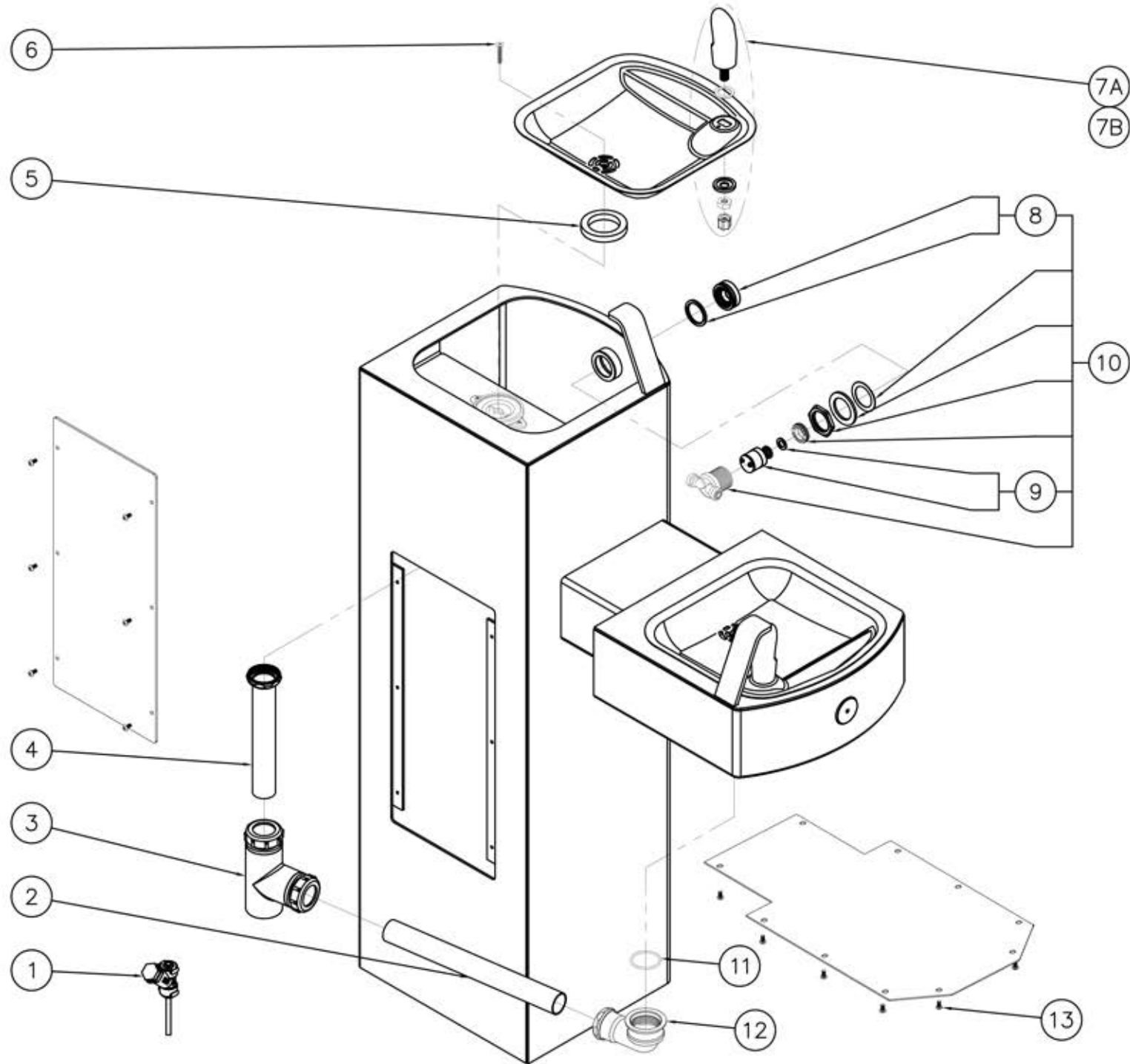
- A- PREPARE INSTALLATION LOCATION TO BURY FIXTURE PEDESTAL (1) TO 14" DEPTH.
- B- ROUGH-IN WASTE OUTLET (2) AT DIMENSION SHOWN FOR 1-1/4" PVC PIPE SIZE OR USE THE COMPRESSION ADAPTER PROVIDED LOOSE FOR 1-1/4" OUTER DIAMETER TUBE.
- C- ROUGH-IN WATER SUPPLY (3) FOR 1/4" NOMINAL (3/8" O.D.) x 4" LONG COPPER TUBE CONNECTED TO IN-LINE STRAINER (4) PROVIDED. RECOMMENDED SUPPLY STOP BY OTHERS.
- D- CAREFULLY REMOVE THE FIXTURE AND COMPONENTS FROM THE PACKAGING PREVENTING SCRATCHING AND DAMAGE.

- E- SET FIXTURE IN PLACE TO 14" BURY DEPTH. ENSURE IT IS VERTICAL ALL AROUND. POUR CONCRETE. ALLOW TO CURE.
- F- REMOVE BACK ACCESS PANEL (5) FROM FIXTURE PEDESTAL (1) AND BOTTOM ACCESS PANELS (6) FROM CANTILEVERS (7). ENSURE PUSHBUTTONS (8), WASTE PIPING (9), AND BUBBLERS (10) ARE SECURE AND CHECK ALL THE TUBING CONNECTIONS TO MAKE SURE THEY DID NOT COME LOOSE IN SHIPMENT.
- G- MAKE-UP WASTE CONNECTION TO THE WASTE PIPING (9).
- H- FLUSH WATER SUPPLY (3) BY OTHERS OF ALL DEBRIS PRIOR TO CONNECTING TO FIXTURE.
- I- CONNECT WATER SUPPLY (3) BY OTHERS TO 1/4" NOMINAL COPPER TUBE INLET. STOP ON THE SUPPLY IS RECOMMENDED.
- J- TEST OPERATION OF BUBBLERS BY DEPRESSING BUTTONS (8). ADJUST THE FLOW RATE AS REQUIRED. SEE DETAIL A. CHECK ALL CONNECTIONS AND WASTE PIPING FOR LEAKS. CORRECT IF PRESENT.
- K- RE-INSTALL BACK ACCESS PANEL (5) AND BOTTOM ACCESS PANELS (6).

TITLE -IGM IN-GROUND MOUNTING SQUARE OUTDOOR STEEL BI-LEVEL FOUNTAIN		
MANUFACTURE DATE JANUARY 2006 TO PRESENT	DATE ISSUED 11/19/08	DRAWING NUMBER 9938-166-0M1
	DATE REVISED 01/13/12	

REPAIR PARTS

Contemporary Drinking Fountain



1	7000-022-001	"Y" STRAINER ASSEMBLY	8	7000-068-001	RETAINING RING AND BUTTON ASSEMBLY
2	7000-111-199	1-1/4" O.D. x 14" LONG DRAIN TUBE	9	7000-069-001	VALVE CARTRIDGE WITH FOAM WASHER
3	7002-011-001	BI-LEVEL ADULT ADA PIPING ASSEMBLY	10	7000-065-001	RECESSED PUSHBUTTON VALVE ASSEMBLY
4	7000-019-001	1-1/4" OUTER DIAMETER TAILPIECE	11	0401-128-000	O-RING
5	7000-006-000	FLAT DRAIN ADAPTER GASKET	12	7000-017-001	ELBOW ASSEMBLY
6	0152-010-000	CENTER REJECT ALLEN FLAT HEAD SCREW	13	0112-001-000	CENTER REJECT ALLEN BUTTON HD SCREW
7A	7000-002-001	STANDARD CHROME PLATED BRASS BUBBLER			
7B	7000-410-002	"F" OPTION FLEXIBLE BUBBLER ASSEMBLY			
ITEM	PART NUMBER	DESCRIPTION	ITEM	PART NUMBER	DESCRIPTION

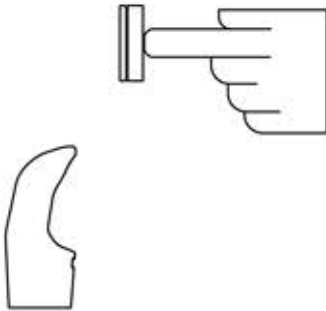
TITLE			
SQUARE OUTDOOR STEEL PEDESTAL BI-LEVEL DRINKING FOUNTAIN			
MANUFACTURE DATE		DATE ISSUED	DRAWING NUMBER
JANUARY 2006 TO PRESENT		10/21/08	9938-165-5M0
		DATE REVISED	
		02/02/12	

STANDARD PUSH PAD / PUSH BUTTON DRINKING FOUNTAIN

CONDITION:

SOLUTION:

NO WATER FLOW:



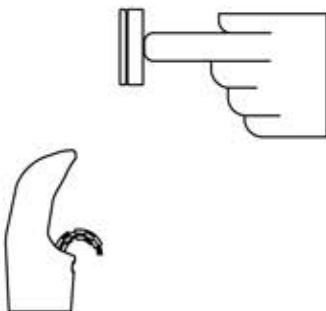
- 1.1 Check water main supply – open.
- 1.2 Inspect stop (by others) – open & no debris.
- 1.3 Inspect in-line strainer for debris – clean.
- 1.4 Replace valve cartridge.

WATER DRIPS / WILL NOT SHUT OFF:



- 2.1 For push pad activated drinking fountains only: Open fixture and move valve bracket assembly further back from push pad.
- 2.2 Replace valve cartridge.

REDUCED WATER FLOW:



- 3.1 Adjust the valve flow rate. See appropriate fixture installation instructions.
- 3.2 Check water main supply for 20 psig minimum flow pressure.
- 3.3 Inspect stop (by others) – open & no debris.
- 3.4 Inspect in-line strainer for debris – clean.
- 3.5 Inspect bubbler for debris – clean.
- 3.6 Inspect all tubing for twists or kinks.
- 3.7 Replace valve cartridge.

TITLE			DRINKING FOUNTAIN VALVE MAINTENANCE INSTRUCTIONS		
MANUFACTURE DATE		DATE ISSUED		DRAWING NUMBER	
JANUARY 2006		10/21/08		9940-200-0M1	
TO PRESENT		10/25/10			

GS Series

MODEL GSM55

BARRIER FREE, BI-LEVEL,
PEDESTAL MOUNTED
DRINKING FOUNTAIN

STANDARD FEATURES

- Resistant to sunlight, heat, moisture and wear
- 18 gage, 304 stainless steel bowl
- 12 gage, heavy duty stainless steel, corrosion and scratch resistant finish
- Polished chrome plated brass, anti-rotation non-squirt bubbler
- 100 mesh inlet strainer
- Access door, heavy duty steel, vandal resistant
- Vandal resistant stainless steel bottom plate

SUGGESTED SPECIFICATIONS

Model GSM55 is a barrier free pedestal mounted, vandal resistant, bi-level square drinking fountain made from 18 gage, 304 stainless steel bowls mounted into a green powder coated 12 gage, heavy duty stainless steel pedestal. Unit shall be activated by front mounted self-closing buttons, by using less than 5 pounds of force, which activates internally mounted valves with adjustable stream regulators controlling the water flow. Bubblers shall be polished chrome plated brass with non-squirt features and operate on water pressure range of 20-105 psig. Unit shall adhere to ANSI A117.1 and Americans with Disabilities Act of 1990 frontal approach and protruding objects requirements, Adult ADA parallel and frontal approach and ANSI/NSF 61, Section 9 and CHSC 116875.



Standard Model: GSM55

OPTIONAL ACCESSORIES

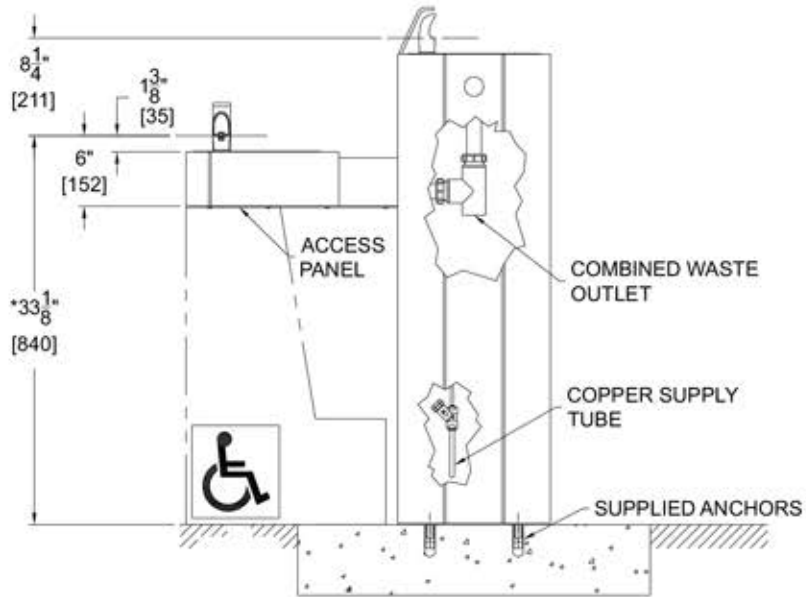
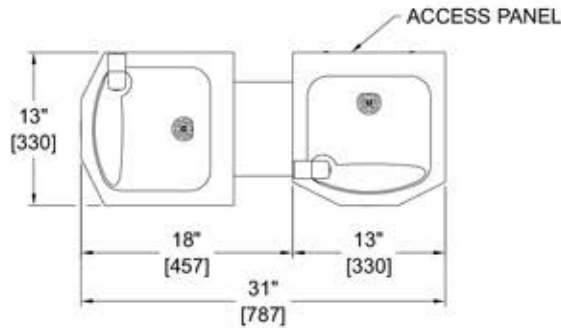
(additional costs may be incurred)

- CH30 Child height, 30" bubbler height
- FRU2 Freeze resistant valve (see separate submittal sheet)
- FS Foot spray
- HB1 Hose bibb, compression, with hose threaded outlet/VB
- HB2 Hose bibb, loose key, with hose threaded outlet/VB
- HB3 Hose bibb, loose key, vandal resistant, with hose threaded outlet/VB
- IGM In-ground 14" mounting
- JF1 Jug filler, spigot, self-closing valve with plain end
- JF2 Jug filler, pushbutton, self-closing valve with plain end
- NP2 Non-pollutable, freeze resistant valve
- PF Pet fountain receptor
- "6" Firehouse red powder coated finish (Use model GSM56)
- "7" Alpine blue powder coated finish (Use model GSM57)

Custom color finishes available upon request

GS Series MODEL GSM55

BARRIER FREE, BI-LEVEL,
PEDESTAL MOUNTED
DRINKING FOUNTAIN



GENERAL NOTES:

1. ALL DIMENSIONS ARE IN INCHES [MM].
- *2. STANDARD ADULT HEIGHT MODEL SHOWN. OPTIONAL -CH30 CHILD HEIGHT MODEL AVAILABLE.
3. STOP VALVE NOT PROVIDED.

ONE YEAR LIMITED WARRANTY - Parts are warranted for one (1) year from date of shipment.

SELECTION SUMMARY
& APPROVAL FOR
MANUFACTURING

Model Number & Options _____	Quantity _____
Company _____	
Contact _____	Title _____
Signature (Approval for Manufacturing) _____	Date _____