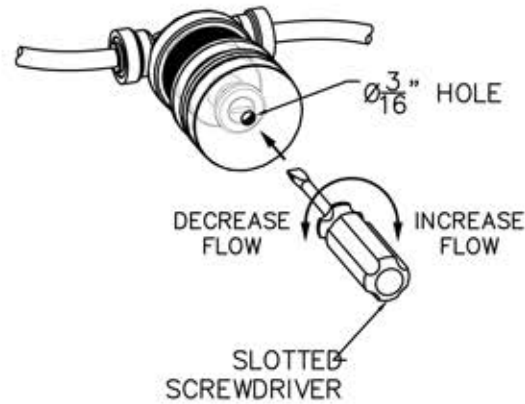
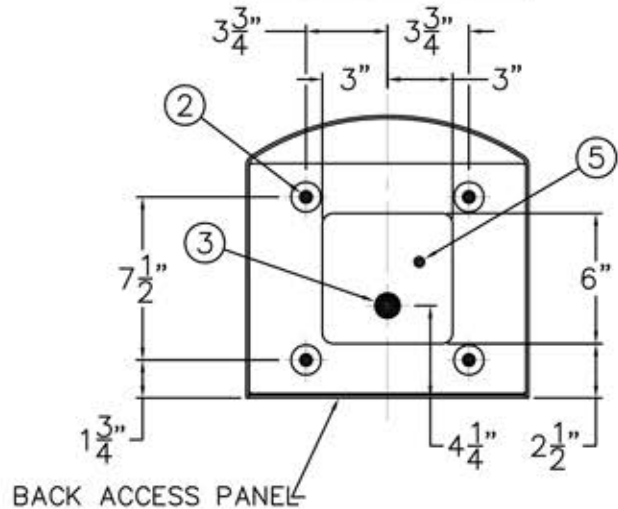


**DETAIL A
FLOW ADJUSTMENT**



BASE ROUGH-IN VIEW



INSTALLATION INSTRUCTIONS:

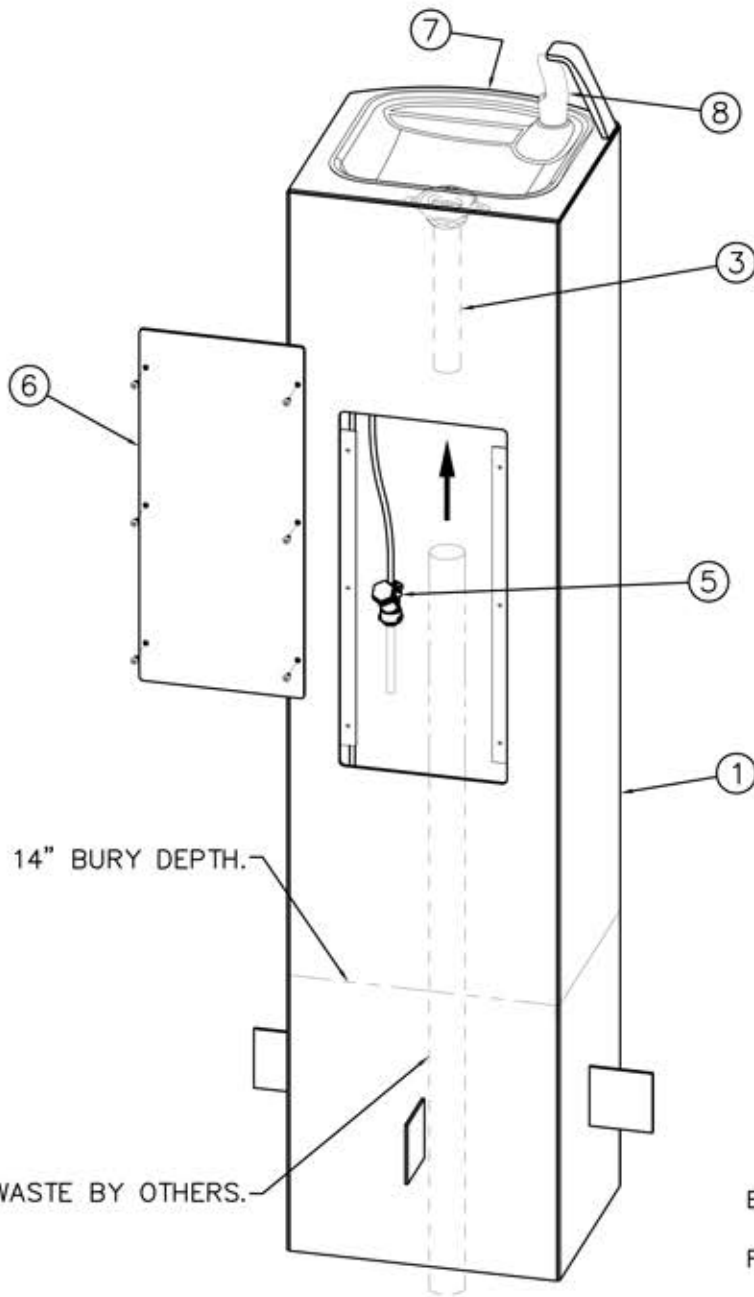
- A- PROVIDE 30" SQUARE MINIMUM x 6" DEEP MINIMUM CONCRETE SLAB BY OTHERS TO SECURELY ANCHOR FIXTURE. INSTALL THE FOUR PROVIDED CONCRETE ANCHORS ① AT DIMENSIONS SHOWN TO MATCH HOLES ② IN FIXTURE BASE.
- B- ROUGH-IN WASTE OUTLET ③ AT DIMENSION SHOWN FOR 1-1/4" OUTER DIAMETER PLAIN END TAILPIECE ④.
- C- ROUGH-IN WATER SUPPLY ⑤ WITHIN 6" SQUARE BOTTOM OPENING FOR 1/4" NOMINAL (3/8" O.D.) x 4" LONG COPPER TUBE CONNECTED TO IN-LINE STRAINER ⑥ PROVIDED. STOP RECOMMENDED ON SUPPLY TO BE SUPPLIED BY OTHERS.
- D- CAREFULLY REMOVE FIXTURE ⑦ AND COMPONENTS FROM THE PACKAGING PREVENTING SCRATCHING AND DAMAGE.
- E- REMOVE BACK ACCESS PANEL ⑧. ENSURE PUSHBUTTON ⑨ WASTE TAILPIECE ④ AND BUBBLER ⑩ ARE SECURE AND CHECK ALL TUBING CONNECTIONS TO MAKE SURE THEY DID NOT COME LOOSE IN SHIPMENT.

- F- SET FIXTURE IN PLACE ALIGNING BASE HOLES ② WITH THE INSTALLED ANCHORS ① AND SECURE WITH THE 1/2" UNC HARDWARE ⑪ PROVIDED.
- G- MAKE-UP 1-1/4" O.D. WASTE CONNECTION TO TAILPIECE ④.
- H- FLUSH WATER SUPPLY ⑤ BY OTHERS OF ALL DEBRIS PRIOR TO CONNECTING TO FIXTURE.
- I- CONNECT WATER SUPPLY ⑤ BY OTHERS TO 1/4" NOMINAL COPPER TUBE INLET. STOP ON THE SUPPLY IS RECOMMENDED.
- J- TEST OPERATION OF BUBBLER BY DEPRESSING BUTTON ⑨. ADJUST THE FLOW RATE AS REQUIRED. SEE **DETAIL A**. CHECK ALL CONNECTIONS AND WASTE PIPING FOR LEAKS. CORRECT IF PRESENT.
- K- RE-INSTALL BACK ACCESS PANEL ⑧.

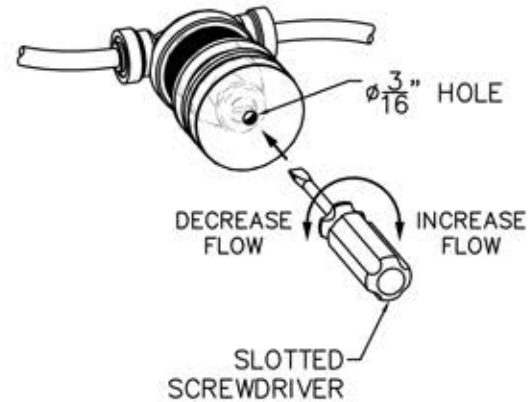
TITLE		
SQUARE OUTDOOR STEEL PEDESTAL DRINKING FOUNTAIN		
MANUFACTURE DATE	DATE ISSUED	DRAWING NUMBER
JANUARY 2006	10/21/08	9938-155-OM1
TO PRESENT	DATE REVISED	
	10/26/10	

INSTALLATION INSTRUCTIONS

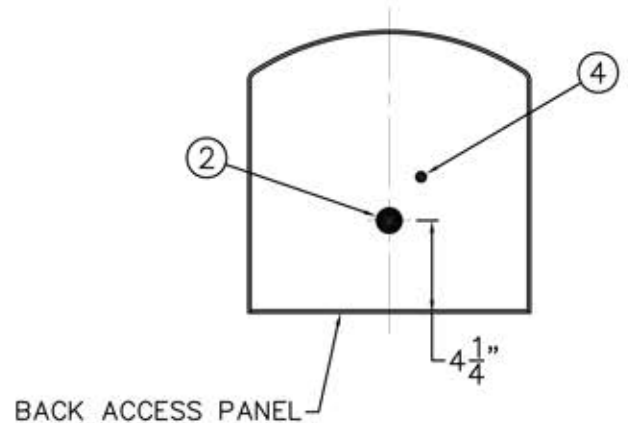
Contemporary Drinking Fountain



DETAIL A FLOW ADJUSTMENT



BASE ROUGH-IN VIEW



INSTALLATION INSTRUCTIONS:

- A- PREPARE INSTALLATION LOCATION TO BURY FIXTURE PEDESTAL (1) TO 14" DEPTH.
- B- ROUGH-IN WASTE OUTLET (2) AT DIMENSION SHOWN FOR 1-1/4" OUTER DIAMETER PLAIN END TAILPIECE (3).
- C- ROUGH-IN WATER SUPPLY (4) FOR 1/4" NOMINAL (3/8" O.D.) x 4" LONG COPPER TUBE CONNECTED TO IN-LINE STRAINER (5) PROVIDED. RECOMMENDED SUPPLY STOP BY OTHERS.
- D- CAREFULLY REMOVE THE FIXTURE AND COMPONENTS FROM THE PACKAGING PREVENTING SCRATCHING AND DAMAGE.

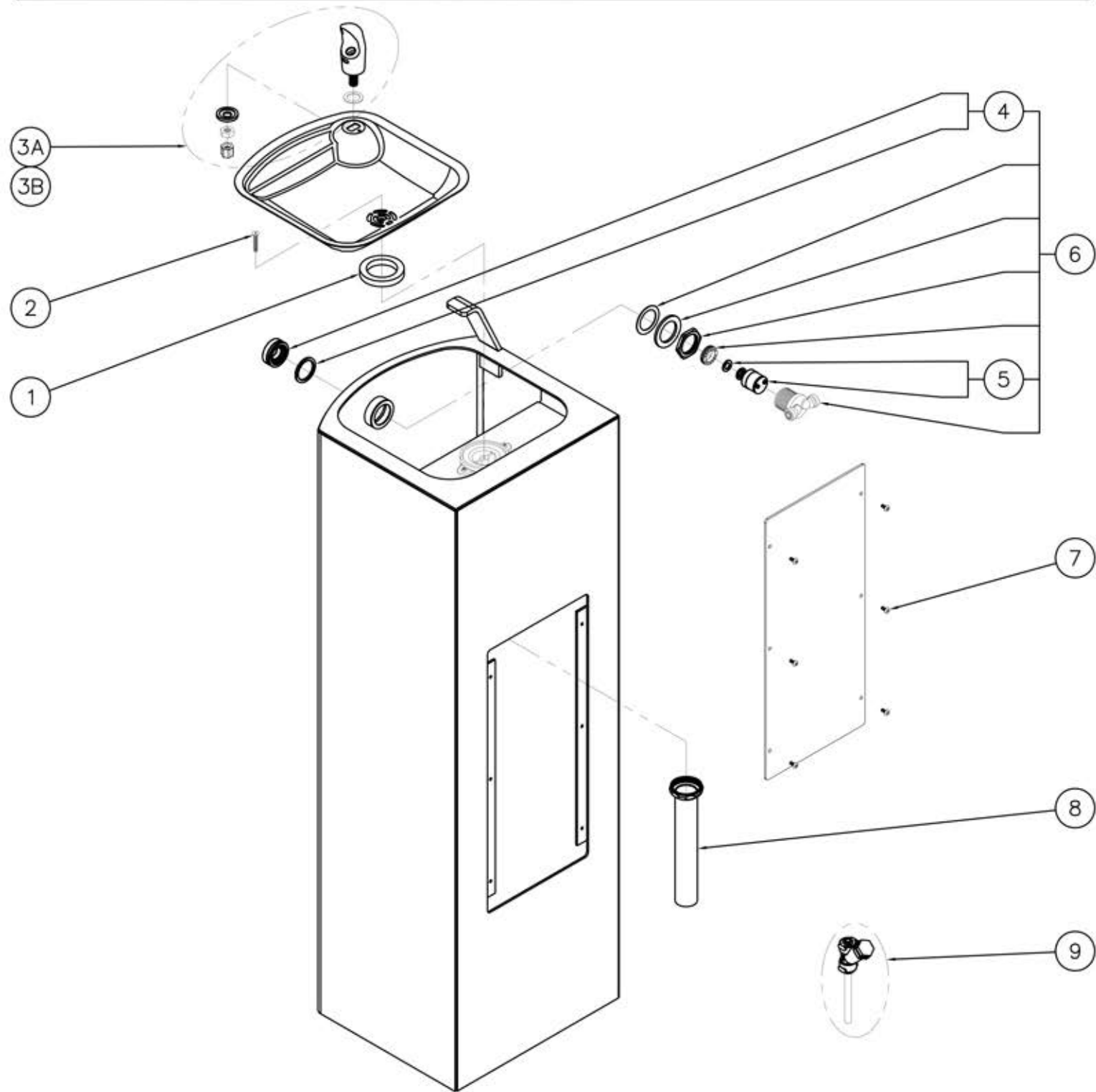
- E- SET FIXTURE IN PLACE TO 14" BURY DEPTH. ENSURE IT IS VERTICAL ALL AROUND. POUR CONCRETE. ALLOW TO CURE.
- F- REMOVE BACK ACCESS PANEL (6). ENSURE PUSHBUTTON (7) WASTE TAILPIECE (3) AND BUBBLER (8) ARE SECURE AND CHECK ALL TUBING CONNECTIONS TO MAKE SURE THEY DID NOT COME LOOSE IN SHIPMENT.
- G- MAKE-UP 1-1/4" O.D. WASTE CONNECTION TO TAILPIECE (3).
- H- FLUSH WATER SUPPLY (4) BY OTHERS OF ALL DEBRIS PRIOR TO CONNECTING TO FIXTURE.
- I- CONNECT WATER SUPPLY (4) BY OTHERS TO 1/4" NOMINAL COPPER TUBE INLET. STOP ON THE SUPPLY IS RECOMMENDED.
- J- TEST OPERATION OF BUBBLER BY DEPRESSING BUTTON (7). ADJUST THE FLOW RATE AS REQUIRED. SEE DETAIL A. CHECK ALL CONNECTIONS AND WASTE PIPING FOR LEAKS. CORRECT IF PRESENT.
- K- RE-INSTALL BACK ACCESS PANEL (6).

TITLE **-IGM IN-GROUND MOUNTING SQUARE OUTDOOR STEEL DRINKING FOUNTAIN**

MANUFACTURE DATE
JANUARY 2006
TO PRESENT

DATE ISSUED
10/21/08
DATE REVISED
10/26/10

DRAWING NUMBER
9938-156-0M1



1	7000-006-000	FLAT DRAIN ADAPTER GASKET	5	7000-069-001	VALVE CARTRIDGE WITH FOAM WASHER
2	0152-010-000	CENTER REJECT ALLEN FLAT HEAD SCREW	6	7000-065-001	RECESSED PUSHBUTTON VALVE ASSEMBLY
3A	7000-002-001	STANDARD CHROME PLATED BRASS BUBBLER	7	0112-002-000	CENTER REJECT ALLEN BUTTON HEAD SCREW
3B	7000-410-002	"F" OPTION FLEXIBLE BUBBLER ASSEMBLY	8	7000-019-001	1-1/4" OUTER DIAMETER TAILPIECE
4	7000-068-001	RETAINING RING AND BUTTON ASSEMBLY	9	7000-022-001	"Y" STRAINER ASSEMBLY
ITEM	PART NUMBER	DESCRIPTION	ITEM	PART NUMBER	DESCRIPTION

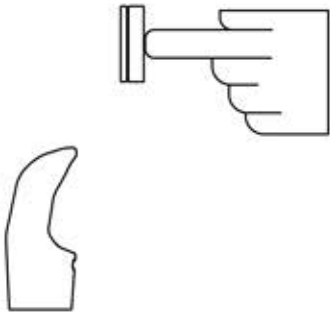
TITLE			
SQUARE OUTDOOR STEEL PEDESTAL DRINKING FOUNTAIN			
MANUFACTURE DATE		DATE ISSUED	DRAWING NUMBER
JANUARY 2006 TO PRESENT		10/21/08	9938-155-5MO
		DATE REVISED	
		10/26/10	

STANDARD PUSH PAD / PUSH BUTTON DRINKING FOUNTAIN

CONDITION:

SOLUTION:

NO WATER FLOW:



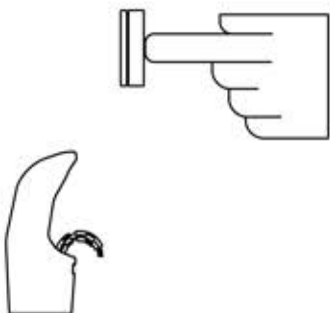
- 1.1 Check water main supply – open.
- 1.2 Inspect stop (by others) – open & no debris.
- 1.3 Inspect in-line strainer for debris – clean.
- 1.4 Replace valve cartridge.

WATER DRIPS / WILL NOT SHUT OFF:



- 2.1 For push pad activated drinking fountains only: Open fixture and move valve bracket assembly further back from push pad.
- 2.2 Replace valve cartridge.

REDUCED WATER FLOW:



- 3.1 Adjust the valve flow rate. See appropriate fixture installation instructions.
- 3.2 Check water main supply for 20 psig minimum flow pressure.
- 3.3 Inspect stop (by others) – open & no debris.
- 3.4 Inspect in-line strainer for debris – clean.
- 3.5 Inspect bubbler for debris – clean.
- 3.6 Inspect all tubing for twists or kinks.
- 3.7 Replace valve cartridge.

TITLE **DRINKING FOUNTAIN VALVE MAINTENANCE INSTRUCTIONS**

MANUFACTURE DATE
JANUARY 2006
TO PRESENT

DATE ISSUED
10/21/08
DATE REVISED
10/25/10

DRAWING NUMBER
9940-200-0M1

GS Series

MODEL GSF55

PEDESTAL MOUNTED
DRINKING FOUNTAIN

STANDARD FEATURES

- *Resistant to sunlight, heat, moisture and wear*
- *18 gage, 304 stainless steel bowl*
- *12 gage, heavy duty stainless steel, corrosion and scratch resistant finish*
- *Polished chrome plated brass, anti-rotation non-squirt bubbler*
- *100 mesh inlet strainer*
- *Access door, heavy duty stainless steel, vandal resistant*

SUGGESTED SPECIFICATIONS

Model GSF55 is a pedestal mounted, vandal resistant square drinking fountain made from an 18 gage, 304 stainless steel bowl mounted into a green powder coated 12 gage, heavy duty stainless steel pedestal. Unit shall be activated by a front mounted self-closing button, by using less than 5 pounds of force, which activates an internally mounted valve with an adjustable stream regulator controlling the water flow. Bubbler shall be polished chrome plated brass with a non-squirt feature and operate on water pressure range of 20-105 psig. Unit shall adhere to ANSI/NSF 61, Section 9 and CHSC 116875.



Standard Model: GSF55

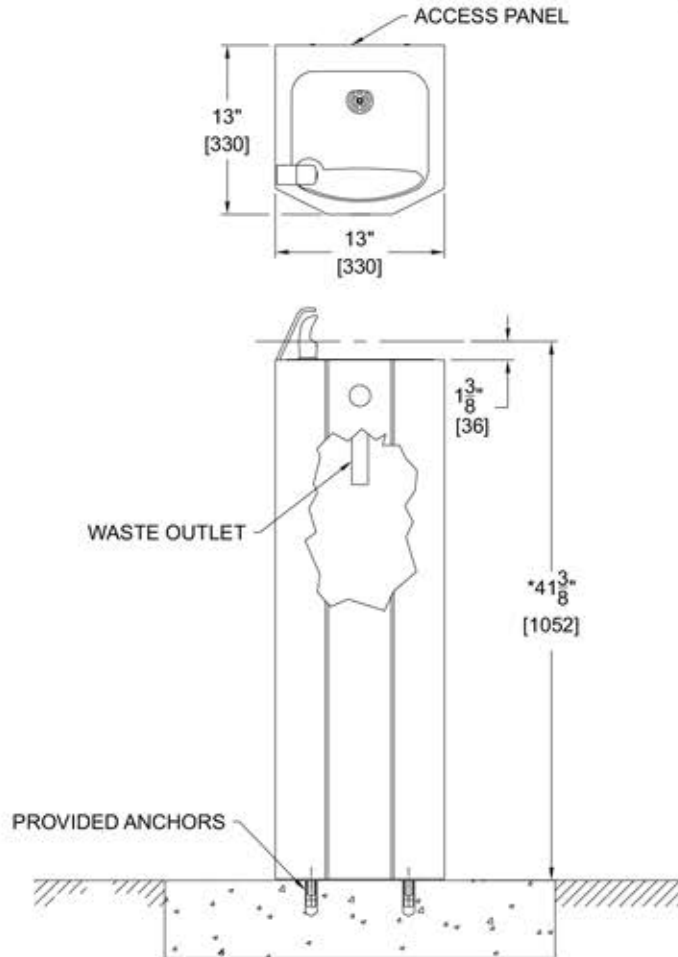
OPTIONAL ACCESSORIES

(additional costs may be incurred)

- CH30 Child height, 30" bubbler height
- FRU1 Freeze resistant valve (see separate submittal sheet)
- FS Foot spray
- HB1 Hose bibb, compression, with hose threaded outlet/VB
- HB2 Hose bibb, loose key, with hose threaded outlet/VB
- HB3 Hose bibb, loose key, vandal resistant, with hose threaded outlet/VB
- IGM In-ground 14" mounting
- JF1 Jug filler, spigot, self-closing valve with plain end
- JF2 Jug filler, recessed, plain end with self-closing valve
- NP1 Non-pollutable, freeze resistant valve
- PF Pet fountain receptor
- "6" Firehouse red powder coated finish (Use model GSF56)
- "7" Alpine blue powder coated finish (Use model GSF57)

Custom color finishes available upon request

GS Series MODEL GSF55 PEDESTAL MOUNTED DRINKING FOUNTAIN



GENERAL NOTES:

1. ALL DIMENSIONS ARE IN INCHES [MM].
- *2. STANDARD ADULT HEIGHT MODEL SHOWN. OPTIONAL -CH30 CHILD HEIGHT MODEL AVAILABLE.
3. STOP VALVE NOT PROVIDED.

ONE YEAR LIMITED WARRANTY - Parts are warranted for one (1) year from date of shipment.

SELECTION SUMMARY & APPROVAL FOR MANUFACTURING	Model Number & Options _____	Quantity _____
	Company _____	
	Contact _____	Title _____
	Signature (Approval for Manufacturing) _____	Date _____