

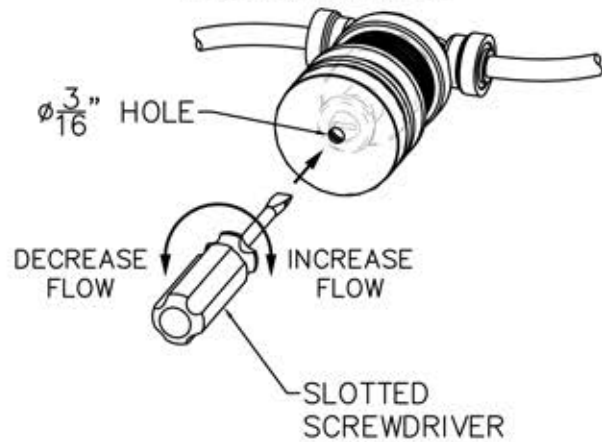




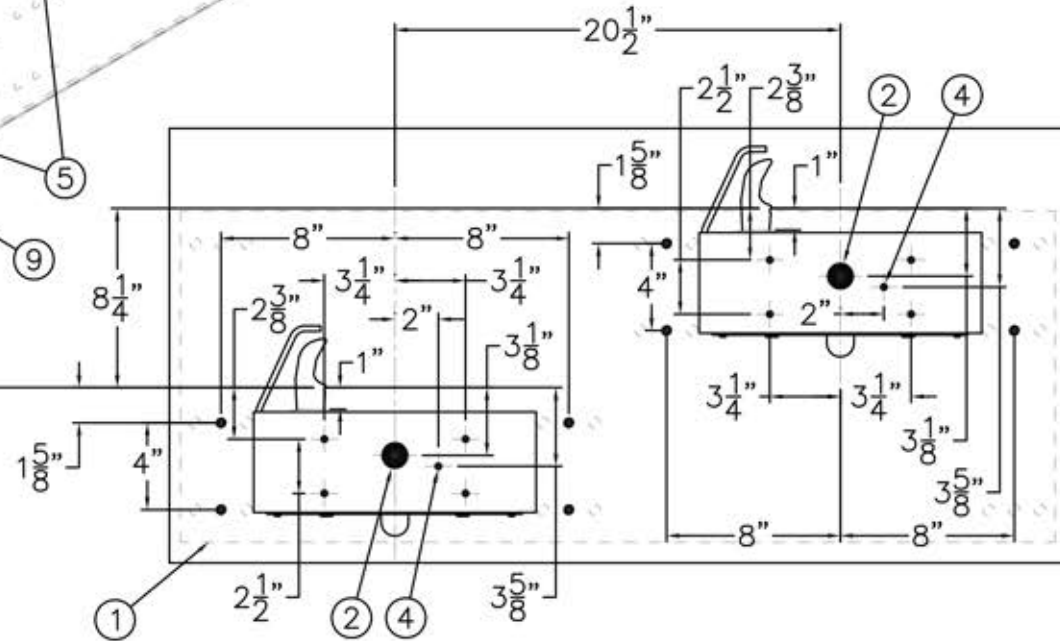
# INSTALLATION INSTRUCTIONS

# Contemporary Drinking Fountain

## DETAIL A FLOW ADJUSTMENT



## FRONT ROUGH-IN VIEW



32 7/8" ORIFICE HEIGHT ABOVE FINISHED FLOOR FOR 27" ADA KNEE CLEARANCE. ADJUST AS REQUIRED.

### INSTALLATION INSTRUCTIONS:

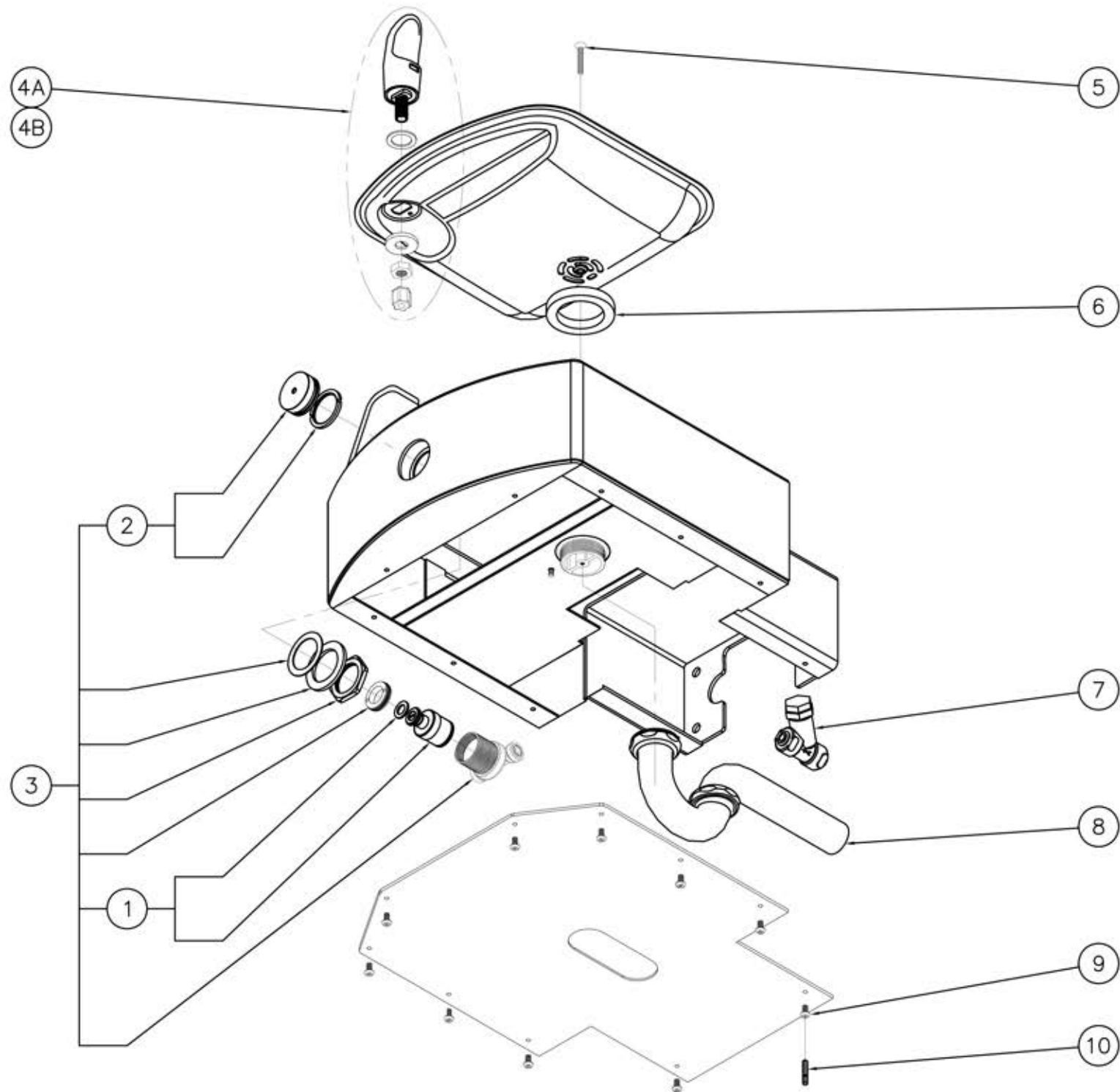
- A- REFER TO DRAWING # 9938-376-002 TO INSTALL STANDARD SUPPLIED WALL MOUNTING PLATE ①.
- B- ROUGH-IN WASTE OUTLETS ② AT DIMENSIONS SHOWN FOR 1-1/4" OUTER DIAMETER PLAIN END P-TRAPS ③.
- C- ROUGH-IN WATER SUPPLIES ④ AT DIMENSIONS SHOWN FOR THE 1/4" NOMINAL (3/8" O.D.) x 4" LONG COPPER TUBES CONNECTED TO IN-LINE STRAINERS ⑤ PROVIDED. STOPS RECOMMENDED ON SUPPLIES TO BE SUPPLIED BY OTHERS.
- D- CAREFULLY REMOVE FIXTURES ⑥ AND COMPONENTS FROM THE PACKAGING PREVENTING SCRATCHING AND DAMAGE.
- E- REMOVE BOTTOM ACCESS PANELS ⑦. ENSURE PUSHBUTTONS ⑧, P-TRAPS ③, AND BUBBLERS ARE SECURE. CHECK ALL TUBING CONNECTIONS TO MAKE SURE THEY DID NOT COME LOOSE IN SHIPMENT.

- F- SLIDE BACK PLATE & FIXTURES OVER STUDS FROM MOUNTING PLATE ① AND SECURE WITH NUTS AND WASHERS ⑨.
- G- MAKE-UP 1-1/4" O.D. WASTE CONNECTION TO P-TRAPS ③.
- H- FLUSH WATER SUPPLIES ④ BY OTHERS OF ALL DEBRIS PRIOR TO CONNECTING TO FIXTURE.
- I- CONNECT WATER SUPPLIES ④ BY OTHERS TO 1/4" NOMINAL COPPER TUBE INLETS. STOPS ON SUPPLIES RECOMMENDED.
- J- TEST OPERATION OF BUBBLERS BY DEPRESSING BUTTONS ⑧. ADJUST THE FLOW RATE AS REQUIRED. SEE DETAIL A. CHECK ALL CONNECTIONS AND WASTE PIPING FOR LEAKS. CORRECT IF PRESENT.
- K- RE-INSTALL BOTTOM ACCESS PANELS ⑦.

### NOTE:

STANDARD VALVE SHOWN. FOR THE OPTIONAL -FRA4 FREEZE RESISTANT VALVE REFERENCE DRAWING # 9938-331-001.

|                                                                                   |                                 |                                       |
|-----------------------------------------------------------------------------------|---------------------------------|---------------------------------------|
| TITLE<br><b>-RBL SQUARE OUTDOOR STEEL WALL REVERSE BI-LEVEL DRINKING FOUNTAIN</b> |                                 |                                       |
| MANUFACTURE DATE<br><b>JANUARY 2006<br/>TO PRESENT</b>                            | DATE ISSUED<br><b>10/21/08</b>  | DRAWING NUMBER<br><b>9938-152-0M1</b> |
|                                                                                   | DATE REVISED<br><b>10/06/11</b> |                                       |



| 1    | 7000-069-001 | VALVE CARTRIDGE WITH FOAM WASHER     | 6    | 7000-006-000 | FLAT DRAIN ADAPTER GASKET             |
|------|--------------|--------------------------------------|------|--------------|---------------------------------------|
| 2    | 7000-068-001 | RETAINING RING AND BUTTON ASSEMBLY   | 7    | 7000-022-000 | "Y" STRAINER                          |
| 3    | 7000-065-001 | RECESSED PUSHBUTTON VALVE ASSEMBLY   | 8    | 7000-015-001 | 1-1/4" OUTER DIAMETER P-TRAP          |
| 4A   | 7000-002-001 | STANDARD CHROME PLATED BRASS BUBBLER | 9    | 0112-002-000 | CENTER REJECT ALLEN BUTTON HEAD SCREW |
| 4B   | 7000-410-002 | "F" OPTION FLEXIBLE BUBBLER ASSEMBLY | 10   | 0296-025-199 | CENTER REJECT HEX DRIVER BIT          |
| 5    | 0152-010-000 | CENTER REJECT ALLEN FLAT HEAD SCREW  |      |              |                                       |
| ITEM | PART NUMBER  | DESCRIPTION                          | ITEM | PART NUMBER  | DESCRIPTION                           |

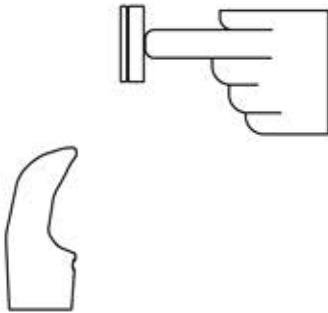
| TITLE                                                      |  |                 |                     |
|------------------------------------------------------------|--|-----------------|---------------------|
| <b>SQUARE OUTDOOR STEEL WALL MOUNTED DRINKING FOUNTAIN</b> |  |                 |                     |
| MANUFACTURE DATE                                           |  | DATE ISSUED     | DRAWING NUMBER      |
| <b>JANUARY 2006<br/>TO PRESENT</b>                         |  | <b>10/21/08</b> | <b>9938-150-5M0</b> |
|                                                            |  | DATE REVISED    |                     |
|                                                            |  | <b>10/06/11</b> |                     |

**STANDARD PUSH PAD / PUSH BUTTON DRINKING FOUNTAIN**

**CONDITION:**

**SOLUTION:**

**NO WATER FLOW:**



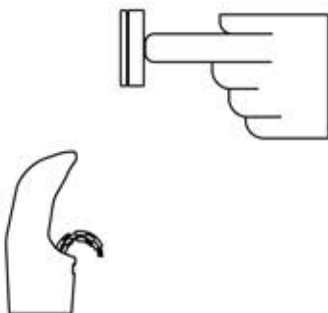
- 1.1 Check water main supply – open.
- 1.2 Inspect stop (by others) – open & no debris.
- 1.3 Inspect in-line strainer for debris – clean.
- 1.4 Replace valve cartridge.

**WATER DRIPS / WILL NOT SHUT OFF:**



- 2.1 For push pad activated drinking fountains only: Open fixture and move valve bracket assembly further back from push pad.
- 2.2 Replace valve cartridge.

**REDUCED WATER FLOW:**



- 3.1 Adjust the valve flow rate. See appropriate fixture installation instructions.
- 3.2 Check water main supply for 20 psig minimum flow pressure.
- 3.3 Inspect stop (by others) – open & no debris.
- 3.4 Inspect in-line strainer for debris – clean.
- 3.5 Inspect bubbler for debris – clean.
- 3.6 Inspect all tubing for twists or kinks.
- 3.7 Replace valve cartridge.

TITLE **DRINKING FOUNTAIN VALVE MAINTENANCE INSTRUCTIONS**

MANUFACTURE DATE  
**JANUARY 2006  
TO PRESENT**

DATE ISSUED  
**10/21/08**

DATE REVISED  
**10/25/10**

DRAWING NUMBER  
**9940-200-0M1**



# GS Series

## MODEL GSD75-BP6

BARRIER FREE, BI-LEVEL,  
WALL MOUNTED DRINKING FOUNTAIN

### STANDARD FEATURES

---

- Both Child and Adult ADA Compliant (when properly installed)
- Resistant to sunlight, heat moisture and wear
- 18 gage, 304 stainless steel bowl
- 12 gage, heavy duty stainless steel arm, corrosion and scratch resistant finish
- Polished chrome plated brass, anti-rotation non-squirt bubbler
- 100 mesh inlet strainer
- P-trap, 1-1/4" O.D.
- Vandal resistant bottom stainless steel plate and screws
- Mounting plate
- Back panel

### SUGGESTED SPECIFICATIONS

---

Model GSD75-BP6 is a wall mounted, vandal resistant bi-level square drinking fountain made from 18 gage, 304 stainless steel bowls mounted into green powder coated 12 gage, heavy duty stainless steel support arms with a steel powder coated back panel. Unit shall be activated by front mounted self-closing buttons, by using less than 5 pounds of force, which activates internally mounted valves with adjustable stream regulators controlling the water flow. Bubblers shall be polished chrome plated brass with non-squirt features and operate on water pressure range of 20-105 psig. Unit shall adhere to ANSI A117.1 and Americans with Disabilities Act of 1990 frontal approach and protruding objects requirements, **Child ADA** parallel and frontal approach and ANSI/NSF 61, Section 9.



- Standard Model: GSD75-BP6

### OPTIONAL ACCESSORIES

---

*(additional costs may be incurred)*

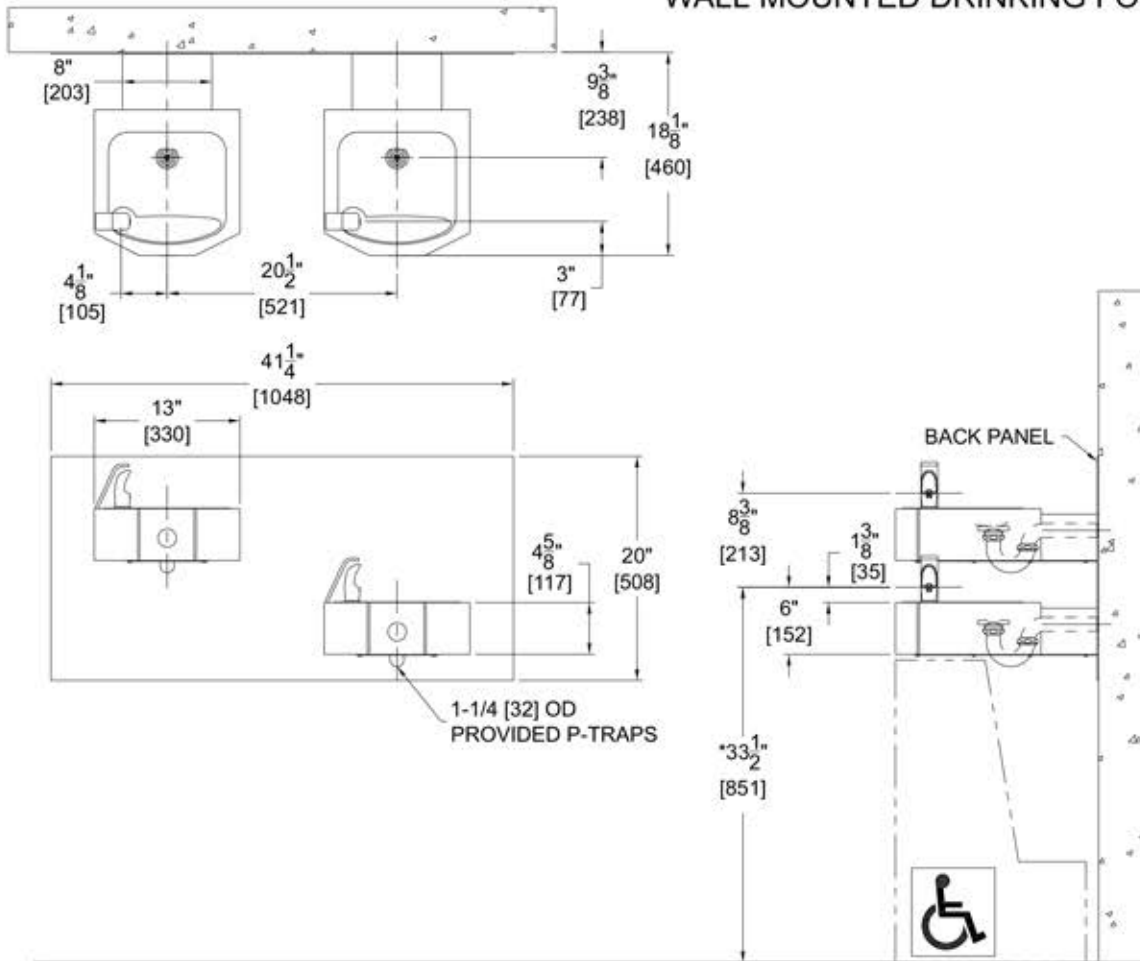
- CSC Concealed support carrier (2 required)
- FRA4 Freeze resistant valve system
- "6" Firehouse red powder coated finish (Use model GSD76-BP6)
- "7" Alpine blue powder coated finish (Use model GSD77-BP6)

*Custom color finishes available upon request*

# GS Series

## MODEL GSD75-BP6

BARRIER FREE, BI-LEVEL,  
WALL MOUNTED DRINKING FOUNTAIN



**GENERAL NOTES:**

1. ALL DIMENSIONS ARE IN INCHES [MM].
- \*2. DIMENSIONS SHOWN ARE FOR RECOMMENDED ADULT HEIGHT. ADJUST VERTICAL DIMENSIONS AS NECESSARY TO COMPLY WITH FEDERAL, STATE, & LOCAL CODES.
3. STOP VALVE NOT PROVIDED.

**ONE YEAR LIMITED WARRANTY** - Parts are warranted for one (1) year from date of shipment.

|                                                                   |                                                    |                |
|-------------------------------------------------------------------|----------------------------------------------------|----------------|
| <b>SELECTION SUMMARY<br/>&amp; APPROVAL FOR<br/>MANUFACTURING</b> | Model Number & Options _____                       | Quantity _____ |
|                                                                   | Company _____                                      |                |
|                                                                   | Contact _____                                      | Title _____    |
|                                                                   | Signature<br>(Approval for<br>Manufacturing) _____ | Date _____     |
|                                                                   |                                                    |                |