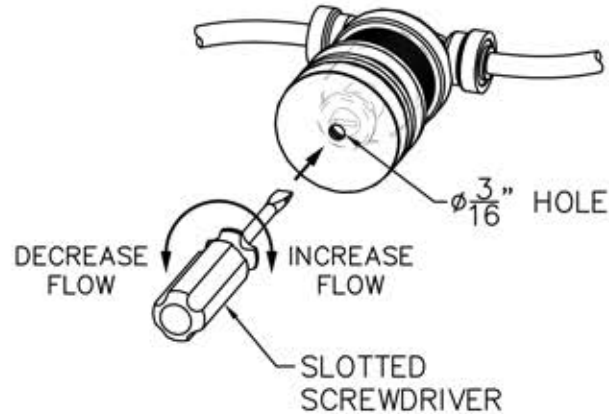


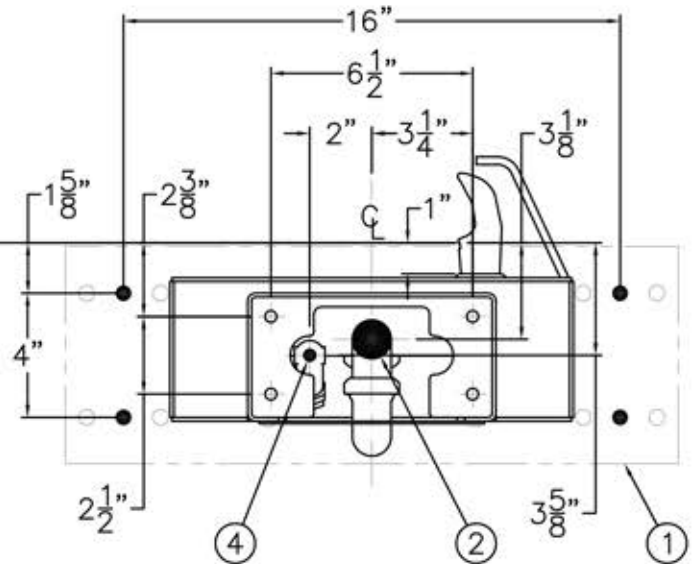
# INSTALLATION INSTRUCTIONS

# Contemporary Drinking Fountain

## DETAIL A FLOW ADJUSTMENT



## BACK ROUGH-IN VIEW

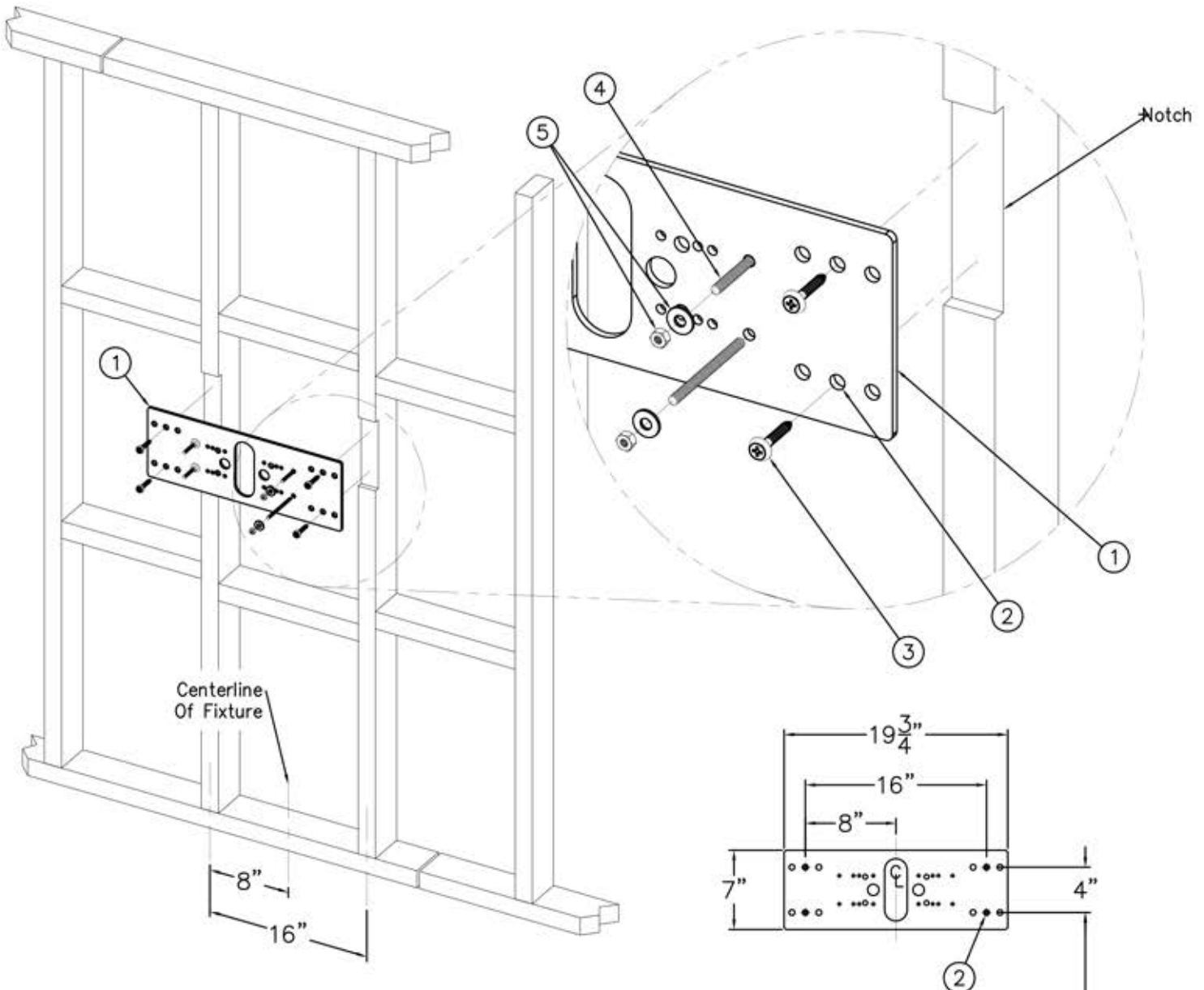


32 7/8" ORIFICE  
HEIGHT ABOVE  
FINISHED FLOOR  
FOR 27" ADA KNEE  
CLEARANCE. ADJUST  
AS REQUIRED.

## INSTALLATION INSTRUCTIONS:

- REFER TO DRAWING # 9938-375-OM1 TO INSTALL STANDARD SUPPLIED WALL MOUNTING PLATE ①.
- ROUGH-IN WASTE OUTLET ② AT DIMENSION SHOWN FOR 1-1/4" OUTER DIAMETER PLAIN END P-TRAP ③.
- ROUGH-IN WATER SUPPLY ④ AT DIMENSION SHOWN FOR THE 1/4" NOMINAL (3/8" O.D.) x 4" LONG COPPER TUBE CONNECTED TO THE IN-LINE STRAINER ⑤ PROVIDED. STOP RECOMMENDED ON SUPPLY IS TO BE SUPPLIED BY OTHERS.
- CAREFULLY REMOVE FIXTURE ⑥ AND COMPONENTS FROM THE PACKAGING PREVENTING SCRATCHING AND DAMAGE.
- REMOVE BOTTOM ACCESS PANEL ⑦. ASSEMBLE P-TRAP ③ TO UNIT. ENSURE PUSHBUTTON ⑧ AND THE BUBBLER ARE SECURE AND CHECK ALL THE TUBING CONNECTIONS TO MAKE SURE THEY DID NOT COME LOOSE IN SHIPMENT.
- SLIDE FIXTURE OVER STUDS FROM WALL MOUNTING PLATE ① AND SECURE WITH NUTS AND WASHERS ⑨.
- MAKE-UP 1-1/4" O.D. WASTE CONNECTION TO P-TRAP ③.
- FLUSH WATER SUPPLY ④ BY OTHERS OF ALL DEBRIS PRIOR TO CONNECTING TO FIXTURE.
- CONNECT WATER SUPPLY ④ BY OTHERS TO 1/4" NOMINAL COPPER TUBE INLET. STOP ON THE SUPPLY IS RECOMMENDED.
- TEST OPERATION OF BUBBLER BY DEPRESSING BUTTON ⑧. ADJUST THE FLOW RATE AS REQUIRED. SEE **DETAIL A**. CHECK ALL CONNECTIONS AND WASTE PIPING FOR LEAKS. CORRECT IF PRESENT.
- RE-INSTALL BOTTOM ACCESS PANEL ⑦.

| TITLE  |                 |                     |
|--|-----------------|---------------------|
| <b>SQUARE OUTDOOR STEEL WALL MOUNTED DRINKING FOUNTAIN</b> |                 |                     |
| MANUFACTURE DATE   | DATE ISSUED     | DRAWING NUMBER      |
| <b>JANUARY 2006<br/>TO PRESENT</b>                         | <b>10/21/08</b> | <b>9938-150-OM1</b> |
|  | DATE REVISED    |                     |
|  | <b>02/02/12</b> |                     |



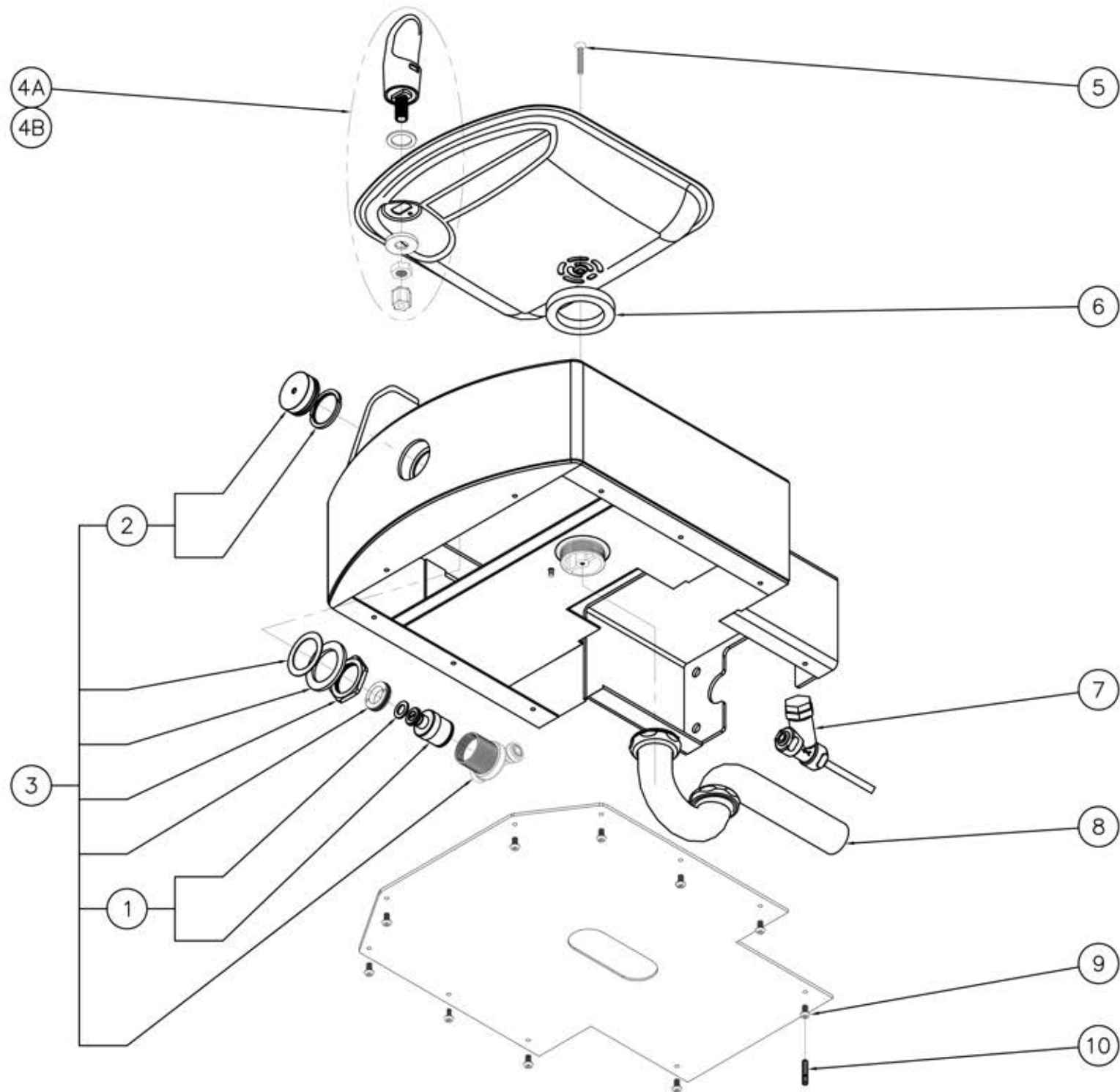
**INSTALLATION INSTRUCTIONS:**

- A- PROVIDE STRUCTURAL WALL SUPPORT AT THE 16" SPACING AS SHOWN FOR ANCHORING THE -MP1 MOUNTING PLATE (1).
- B- MOUNTING PLATE (1) IS 1/4" THICK WITH 1/2" DIAMETER HOLES (2) IN 12 PLACES FOR ANCHORING HARDWARE (3) BY OTHERS. NOTCH/PREPARE WALL SO THAT PLATE (1) AND INSTALLER PROVIDED HARDWARE (3) WILL BE CONCEALED BEHIND THE WALL FINISHING MATERIAL.
- C- THREAD 5/16" ALL-THREAD STUDS (4) THRU PLATE (1) SO THAT MINIMUM 1-1/4" OF STUD WILL PROTRUDE BEYOND THE FINISHED WALL FACE. REFERENCE FIXTURE ROUGH-INS FOR LOCATION.
- D- SECURELY ANCHOR PLATE (1) TO WALL WITHIN NOTCHED AREA USING HARDWARE (3) BY OTHERS.
- E- MAKE APPROPRIATE SUPPLY AND WASTE ROUGH-INS THRU THE MOUNTING PLATE (1).
- F- COMPLETE INSTALLATION OF FINISHED WALL LEAVING STUDS (4) PROTRUDING AND ROUGH-INS ACCESSIBLE.
- G- SLIDE FIXTURE OVER STUDS (4) UP AGAINST FINISHED WALL AND SECURE WITH NUTS AND WASHERS (5). COMPLETE THE INSTALLATION REFERENCING THE FIXTURE INSTRUCTIONS.

|   |  |  |
|---|--|--|
| <p>TITLE <b>STANDARD -MP1 WALL MOUNTING PLATE AND HARDWARE</b></p>          |  |  |
| <p>MANUFACTURE DATE</p> <p><b>JANUARY 2006</b></p> <p><b>TO PRESENT</b></p> | <p>DATE ISSUED</p> <p><b>10/21/08</b></p> <p>DATE REVISED</p> <p><b>10/25/10</b></p> | <p>DRAWING NUMBER</p> <p><b>9938-375-OM1</b></p> |

**REPAIR PARTS**

**Contemporary Drinking Fountain**



|      |              |                                      |      |              |                                       |
|------|--------------|--------------------------------------|------|--------------|---------------------------------------|
| 1    | 7000-069-001 | VALVE CARTRIDGE WITH FOAM WASHER     | 6    | 7000-006-000 | FLAT DRAIN ADAPTER GASKET             |
| 2    | 7000-068-001 | RETAINING RING AND BUTTON ASSEMBLY   | 7    | 7000-022-001 | "Y" STRAINER                          |
| 3    | 7000-065-001 | RECESSED PUSHBUTTON VALVE ASSEMBLY   | 8    | 7000-015-000 | 1-1/4" OUTER DIAMETER P-TRAP          |
| 4A   | 7000-002-001 | STANDARD CHROME PLATED BRASS BUBBLER | 9    | 0112-001-000 | CENTER REJECT ALLEN BUTTON HEAD SCREW |
| 4B   | 7000-410-002 | "F" OPTION FLEXIBLE BUBBLER ASSEMBLY | 10   | 0296-025-199 | CENTER REJECT HEX DRIVER BIT          |
| 5    | 0152-010-000 | CENTER REJECT ALLEN FLAT HEAD SCREW  |      |              |                                       |
| ITEM | PART NUMBER  | DESCRIPTION                          | ITEM | PART NUMBER  | DESCRIPTION                           |

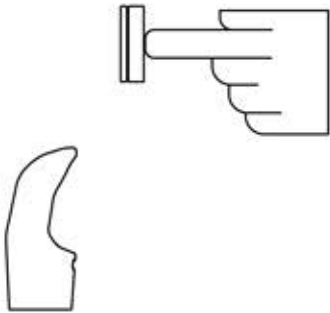
| TITLE  |  |                 |                     |
|--|--|-----------------|---------------------|
| <b>SQUARE OUTDOOR STEEL WALL MOUNTED DRINKING FOUNTAIN</b> |  |                 |                     |
| MANUFACTURE DATE   |  | DATE ISSUED     | DRAWING NUMBER      |
| <b>JANUARY 2006<br/>TO PRESENT</b>                         |  | <b>10/21/08</b> | <b>9938-150-5M0</b> |
|  |  | DATE REVISED    |                     |
|  |  | <b>02/02/12</b> |                     |

**STANDARD PUSH PAD / PUSH BUTTON DRINKING FOUNTAIN**

***CONDITION:***

***SOLUTION:***

**NO WATER FLOW:**



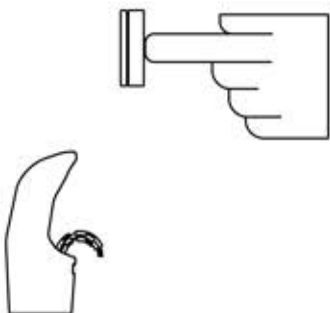
- 1.1 Check water main supply – open.
- 1.2 Inspect stop (by others) – open & no debris.
- 1.3 Inspect in-line strainer for debris – clean.
- 1.4 Replace valve cartridge.

**WATER DRIPS / WILL NOT SHUT OFF:**



- 2.1 For push pad activated drinking fountains only: Open fixture and move valve bracket assembly further back from push pad.
- 2.2 Replace valve cartridge.

**REDUCED WATER FLOW:**



- 3.1 Adjust the valve flow rate. See appropriate fixture installation instructions.
- 3.2 Check water main supply for 20 psig minimum flow pressure.
- 3.3 Inspect stop (by others) – open & no debris.
- 3.4 Inspect in-line strainer for debris – clean.
- 3.5 Inspect bubbler for debris – clean.
- 3.6 Inspect all tubing for twists or kinks.
- 3.7 Replace valve cartridge.

TITLE **DRINKING FOUNTAIN VALVE MAINTENANCE INSTRUCTIONS**

MANUFACTURE DATE  
**JANUARY 2006  
TO PRESENT**

DATE ISSUED  
**10/21/08**

DATE REVISED  
**10/25/10**

DRAWING NUMBER  
**9940-200-0M1**

# GS Series

## MODEL GSC55

BARRIER FREE, WALL MOUNTED  
DRINKING FOUNTAIN

### STANDARD FEATURES

---

- *Both Child and Adult Compliant (when properly installed)*
- *Resistant to sunlight, heat, moisture and wear*
- *18 gage, 304 stainless steel bowl*
- *12 gage, heavy duty stainless steel arm, corrosion and scratch resistant finish*
- *Polished chrome plated brass, anti-rotation non-squirt bubbler*
- *100 mesh inlet strainer*
- *P-trap, 1-1/4" O.D.*
- *Stainless Steel vandal resistant bottom plate and screws*
- *Mounting plate*

### SUGGESTED SPECIFICATIONS

---

Model GSC55 is a wall mounted, vandal resistant drinking fountain made from an 18 gage, 304 stainless steel bowl mounted into a green powder coated 12 gage, heavy duty stainless steel support arm. Unit shall be activated by a front mounted self-closing button, by using less than 5 pounds of force, which activates an internally mounted valve with an adjustable stream regulator controlling the water flow. Bubbler shall be polished chrome plated brass with a non-squirt feature and operate on water pressure range of 20-105 psig. Unit shall adhere to ANSI A117.1 and Americans with Disabilities Act of 1990 frontal approach and protruding objects requirements, **Child ADA** parallel and frontal approach and ANSI/NSF 61, Section 9 and CHSC 116875.



- Standard Model:** GSC55

### OPTIONAL ACCESSORIES

---

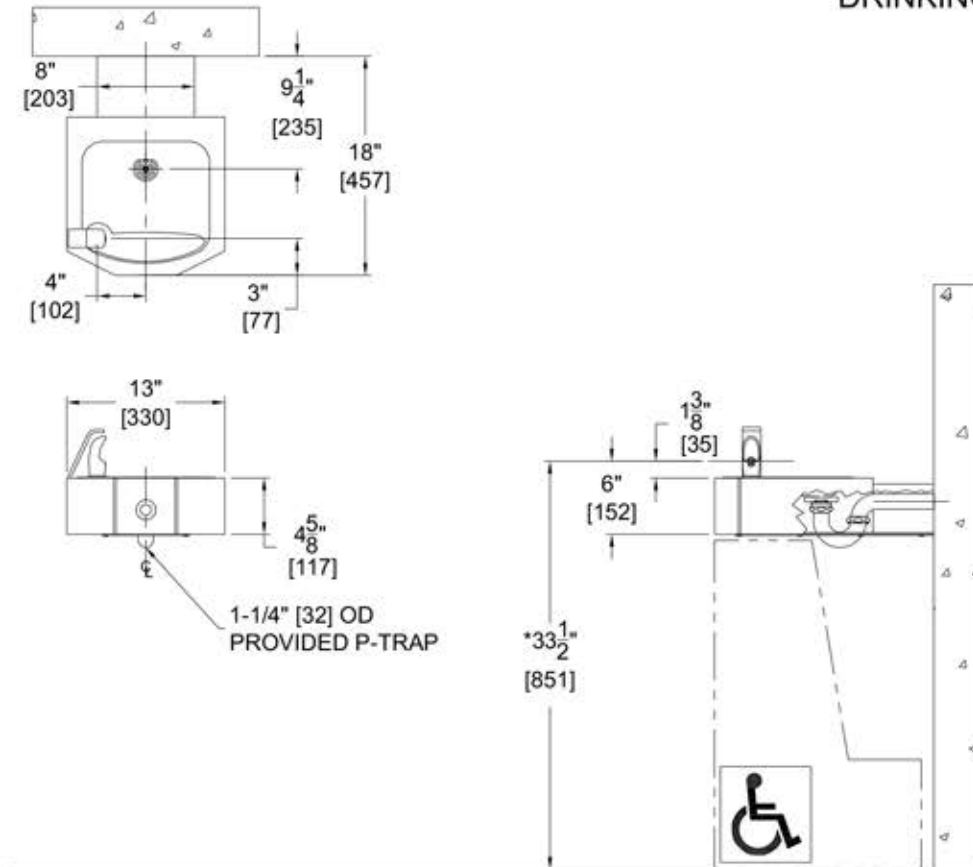
*(additional costs may be incurred)*

- CSC Concealed support carrier
- FRA1 Freeze resistant valve
- "6"** Firehouse red powder coated finish (Use model GSC56)
- "7"** Alpine blue powder coated finish (Use model GSC57)

*Custom color finishes available upon request*

# GS Series MODEL GSC55

BARRIER FREE, WALL MOUNTED  
DRINKING FOUNTAIN



### GENERAL NOTES:

1. ALL DIMENSIONS ARE IN INCHES [MM].
- \*2. DIMENSIONS SHOWN ARE FOR RECOMMENDED ADULT HEIGHT. ADJUST VERTICAL DIMENSIONS AS NECESSARY TO COMPLY WITH FEDERAL, STATE, & LOCAL CODES.
3. STOP VALVE NOT PROVIDED.

**ONE YEAR LIMITED WARRANTY** - Parts are warranted for one (1) year from date of shipment.

SELECTION SUMMARY  
& APPROVAL FOR  
MANUFACTURING

Model Number & Options \_\_\_\_\_ Quantity \_\_\_\_\_

Company \_\_\_\_\_

Contact \_\_\_\_\_ Title \_\_\_\_\_

Signature (Approval for Manufacturing) \_\_\_\_\_ Date \_\_\_\_\_