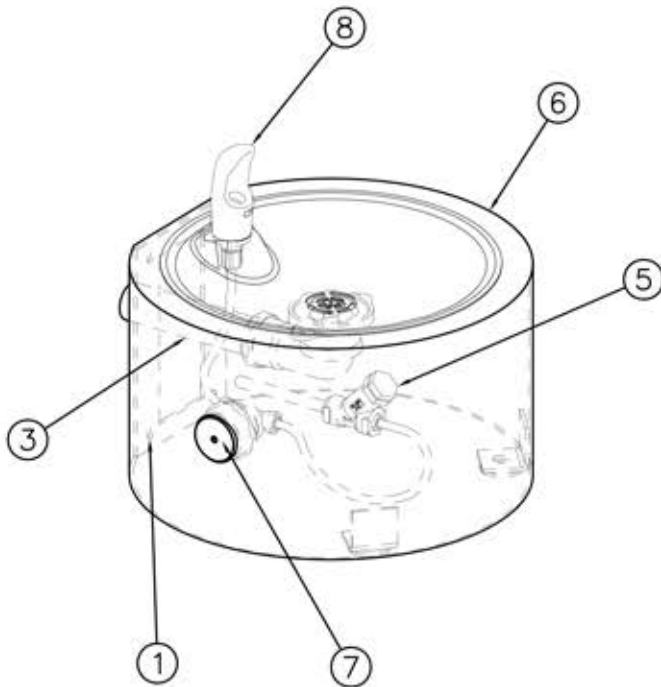


# INSTALLATION INSTRUCTIONS

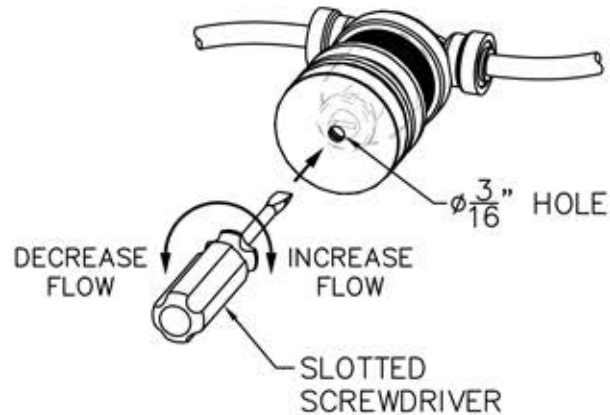
# Contemporary Drinking Fountain

### NOTE:

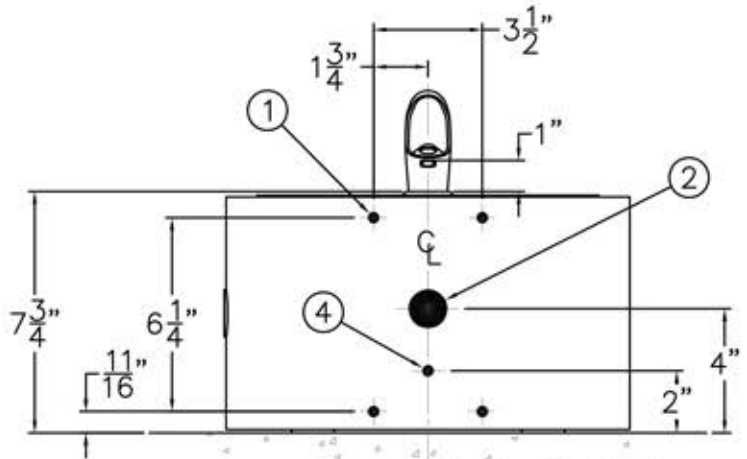
UNIT IS SHOWN WITH STANDARD PUSHBUTTON AND VALVE ASSEMBLY. REFERENCE DRAWING # 9938-340-0M1 FOR THE INSTALLATION WITH OPTIONAL -FRU1 UNDERGROUND FREEZE RESISTANT VALVE.



### DETAIL A FLOW ADJUSTMENT



### FRONT ROUGH-IN VIEW



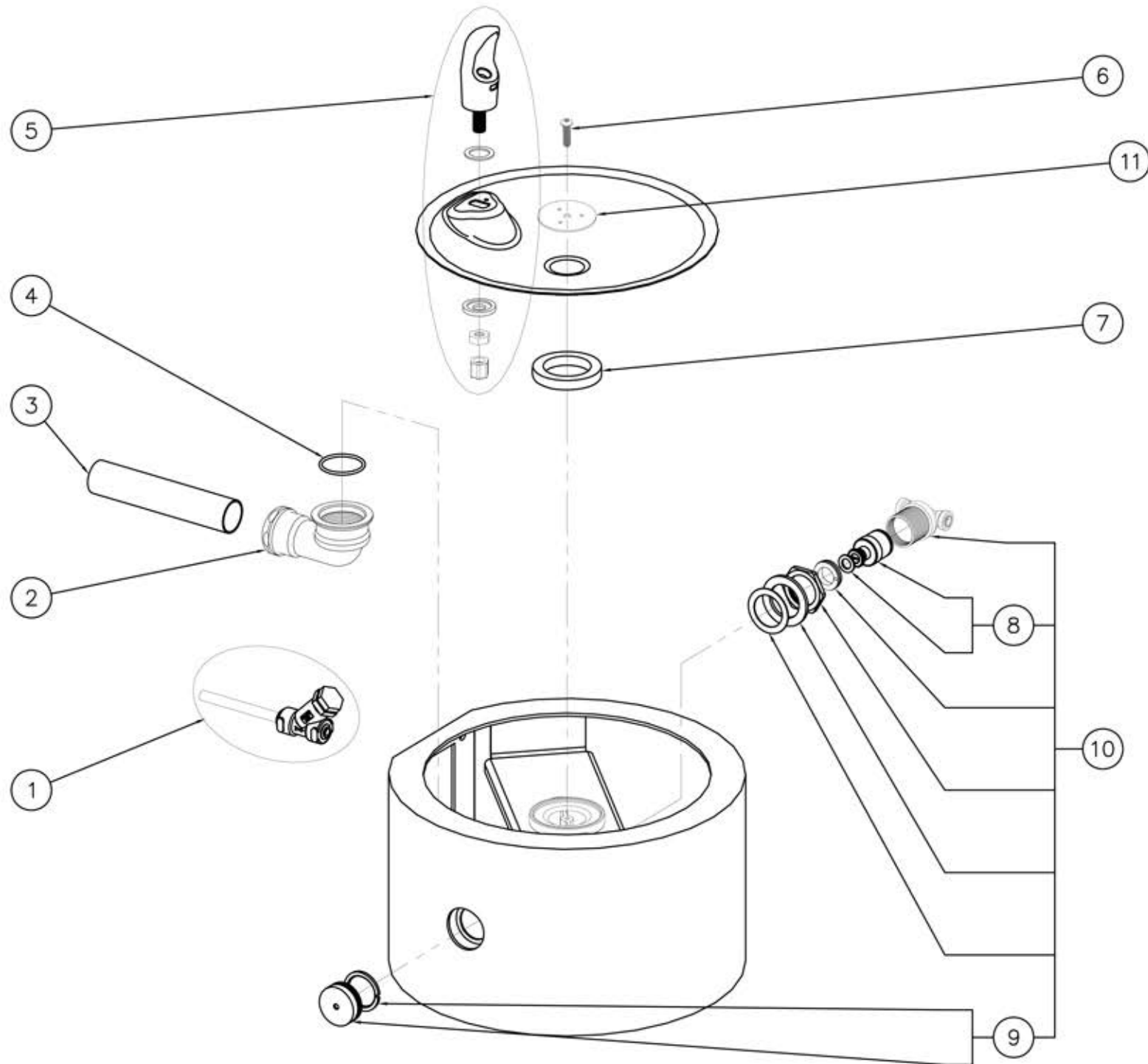
### INSTALLATION INSTRUCTIONS:

- A- PROVIDE WALL REINFORCEMENT AND ANCHORS OR PEDESTAL PENETRATIONS BEHIND THE FOUR 3/8" DIAMETER MOUNTING HOLES ① AT THE DIMENSIONS SHOWN.
- B- ROUGH-IN WASTE OUTLET ② AT DIMENSION SHOWN FOR 1-1/4" OUTER DIAMETER PLAIN END ELBOW TAILPIECE ③.
- C- ROUGH-IN WATER SUPPLY ④ AT DIMENSION SHOWN FOR THE 1/4" NOMINAL (3/8" O.D.) x 4" LONG COPPER TUBE CONNECTED TO THE IN-LINE STRAINER ⑤ PROVIDED. STOP RECOMMENDED ON SUPPLY IS TO BE SUPPLIED BY OTHERS.
- D- CAREFULLY REMOVE FIXTURE ⑥ AND COMPONENTS FROM THE PACKAGING PREVENTING SCRATCHING AND DAMAGE.
- E- ENSURE PUSHBUTTON ⑦, WASTE PIPING ③, AND BUBBLER ⑧ ARE SECURE AND CHECK ALL TUBING CONNECTIONS TO MAKE SURE THEY DID NOT COME LOOSE IN SHIPMENT.
- F- SECURELY ANCHOR FIXTURE ⑥ TO THE WALL OR PEDESTAL THRU MOUNTING HOLES ① WITH ANCHORING HARDWARE BY OTHERS.
- G- MAKE-UP 1-1/4" O.D. WASTE CONNECTION TO TAILPIECE ③.
- H- FLUSH WATER SUPPLY ④ BY OTHERS OF ALL DEBRIS PRIOR TO CONNECTING TO FIXTURE.
- I- CONNECT WATER SUPPLY ④ BY OTHERS TO 1/4" NOMINAL COPPER TUBE INLET. STOP ON THE SUPPLY IS RECOMMENDED.
- J- TEST OPERATION OF BUBBLER BY DEPRESSING BUTTON ⑦. ADJUST THE FLOW RATE AS REQUIRED. SEE DETAIL A. CHECK ALL CONNECTIONS AND WASTE PIPING FOR LEAKS. CORRECT IF PRESENT.

TITLE		
<b>ROUND OUTDOOR STEEL PET FOUNTAIN</b>		
MANUFACTURE DATE	DATE ISSUED	DRAWING NUMBER
<b>JANUARY 2006</b>	<b>10/21/08</b>	<b>9938-149-0M1</b>
<b>TO PRESENT</b>	DATE REVISED	
	<b>10/26/10</b>	

**REPAIR PARTS**

**Contemporary Drinking Fountain**



1	7000-022-001	"Y" STRAINER ASSEMBLY	7	7000-006-000	FLAT DRAIN ADAPTER GASKET
2	7000-017-001	ELBOW ASSEMBLY	8	7000-069-001	VALVE CARTRIDGE WITH FOAM WASHER
3	7000-113-199	1-1/4" OUTER DIAMETER DRAIN TUBE	9	7000-068-001	RETAINING RING AND BUTTON ASSEMBLY
4	0401-128-000	O-RING	10	7000-065-001	RECESSED PUSHBUTTON VALVE ASSEMBLY
5	7000-002-001	STANDARD CHROME PLATED BRASS BUBBLER	11	7007-008-199	STRAINER, PET FOUNTAIN
6	0112-008-000	1/4"-20 BTN HD CENTER REJECT SCREW			
ITEM	PART NUMBER	DESCRIPTION	ITEM	PART NUMBER	DESCRIPTION

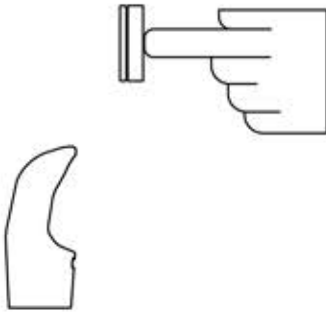
TITLE			
<b>ROUND OUTDOOR STEEL PET FOUNTAIN</b>			
MANUFACTURE DATE		DATE ISSUED	DRAWING NUMBER
<b>JANUARY 2006 TO PRESENT</b>		<b>10/21/08</b>	<b>9938-149-5M0</b>
		DATE REVISED	
		<b>10/26/10</b>	

**STANDARD PUSH PAD / PUSH BUTTON DRINKING FOUNTAIN**

***CONDITION:***

***SOLUTION:***

**NO WATER FLOW:**



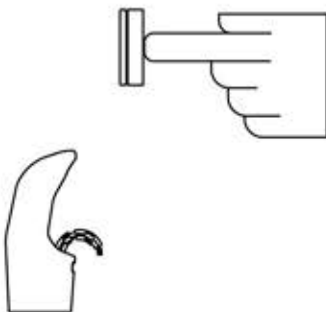
- 1.1 Check water main supply – open.
- 1.2 Inspect stop (by others) – open & no debris.
- 1.3 Inspect in–line strainer for debris – clean.
- 1.4 Replace valve cartridge.

**WATER DRIPS / WILL NOT SHUT OFF:**



- 2.1 For push pad activated drinking fountains only: Open fixture and move valve bracket assembly further back from push pad.
- 2.2 Replace valve cartridge.

**REDUCED WATER FLOW:**



- 3.1 Adjust the valve flow rate. See appropriate fixture installation instructions.
- 3.2 Check water main supply for 20 psig minimum flow pressure.
- 3.3 Inspect stop (by others) – open & no debris.
- 3.4 Inspect in–line strainer for debris – clean.
- 3.5 Inspect bubbler for debris – clean.
- 3.6 Inspect all tubing for twists or kinks.
- 3.7 Replace valve cartridge.

TITLE			<b>DRINKING FOUNTAIN VALVE MAINTENANCE INSTRUCTIONS</b>
MANUFACTURE DATE	DATE ISSUED	DRAWING NUMBER	
<b>JANUARY 2006</b>	<b>10/21/08</b>	<b>9940-200-0M1</b>	
<b>TO PRESENT</b>	DATE REVISED		
	<b>10/25/10</b>		

# GR Series

## MODEL GRT75-PF

### PET FOUNTAIN

#### STANDARD FEATURES

---

- *Resistant to sunlight, heat, moisture and wear*
- *18 gage, 304 stainless steel bowl*
- *12 gage, heavy duty steel receptor, corrosion and scratch resistant finish*
- *Polished chrome plated brass, anti-rotation non-squirt bubbler*
- *100 mesh inlet strainer*

#### SUGGESTED SPECIFICATIONS

---

Model GRT75-PF is a pet fountain for attachment to the vandal resistant outdoor steel drinking fountains. The unit shall be made from an 18 gage, 304 stainless steel bowl mounted into a green powder coated 12 gage, heavy duty stainless steel receptor. Unit shall be activated by a side mounted self-closing button, by using less than 5 pounds of force, which activates an internally mounted valve with an adjustable stream regulator controlling the water flow. Bubbler shall be polished chrome plated brass with a non-squirt feature and operate on water pressure range of 20-105 psig. Unit shall adhere to ANSI/NSF 61, Section 9 and CHSC 116875.



- Standard Model: GRT75-PF**

#### OPTIONAL ACCESSORIES

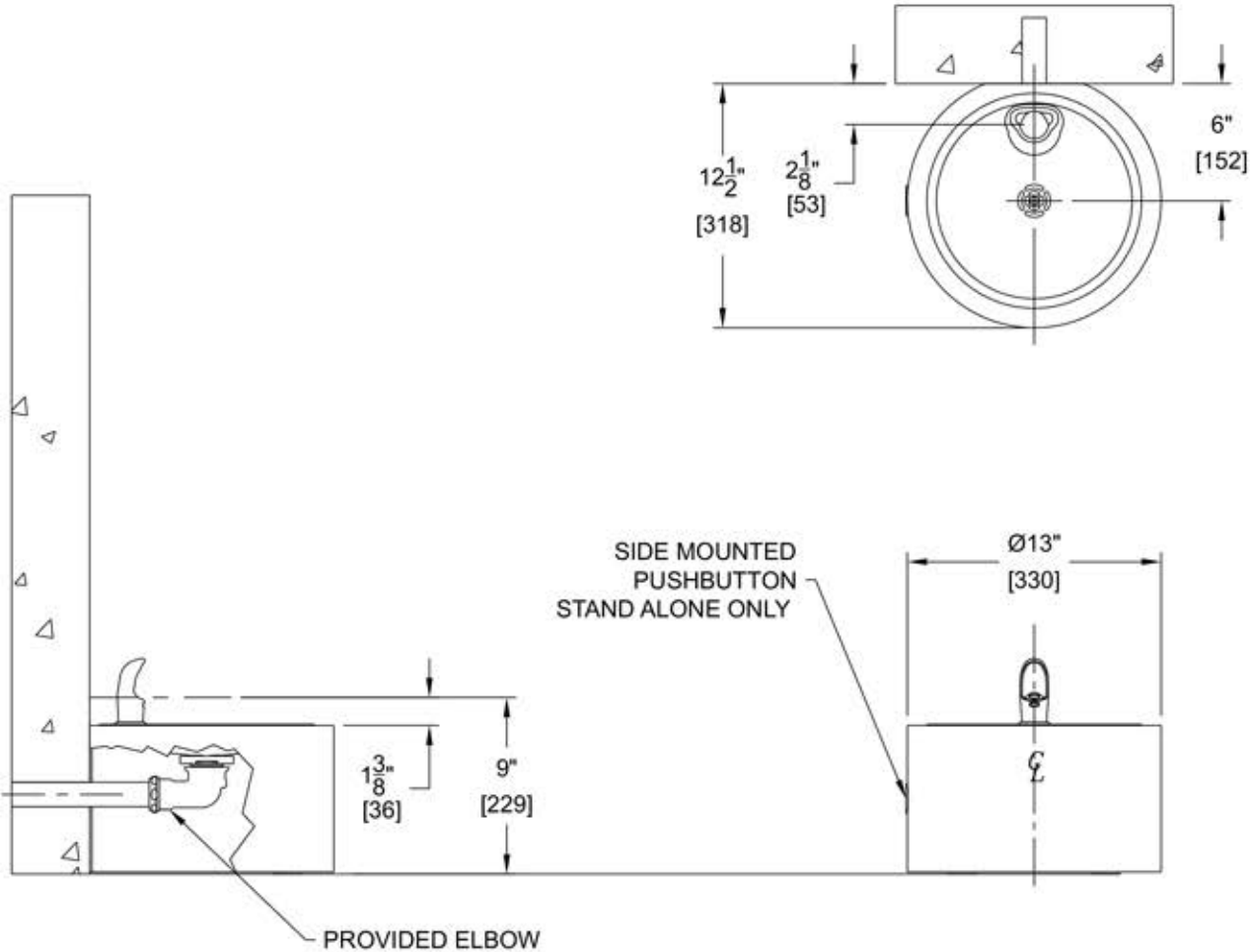
---

*(additional costs may be incurred)*

- FRU1 Underground freeze resistant valve
- NP1 Non-pollutable, freeze resistant valve
- "6" Firehouse red powder coated finish (Use model GRT76-PF)
- "7" Alpine blue powder coated finish (Use model GRT77-PF)

*Custom color finishes available upon request*

# GR Series MODEL GRT75-PF PET FOUNTAIN



- GENERAL NOTES:**
1. ALL DIMENSIONS ARE IN INCHES [MM].
  2. STOP VALVE NOT PROVIDED.

**ONE YEAR LIMITED WARRANTY** - Parts are warranted for one (1) year from date of shipment.

SELECTION SUMMARY & APPROVAL FOR MANUFACTURING	Model Number & Options _____	Quantity _____
	Company _____	
	Contact _____	Title _____
	Signature (Approval for Manufacturing) _____	Date _____