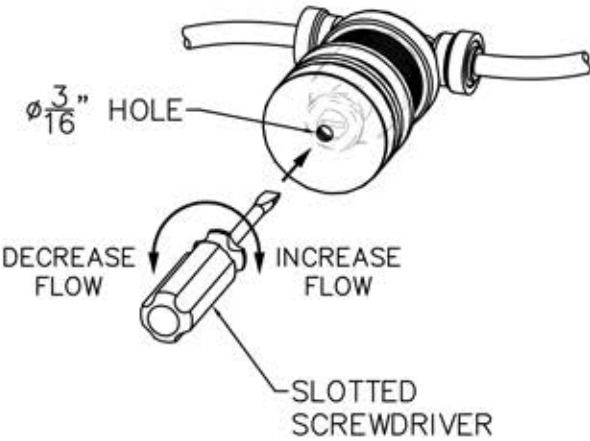


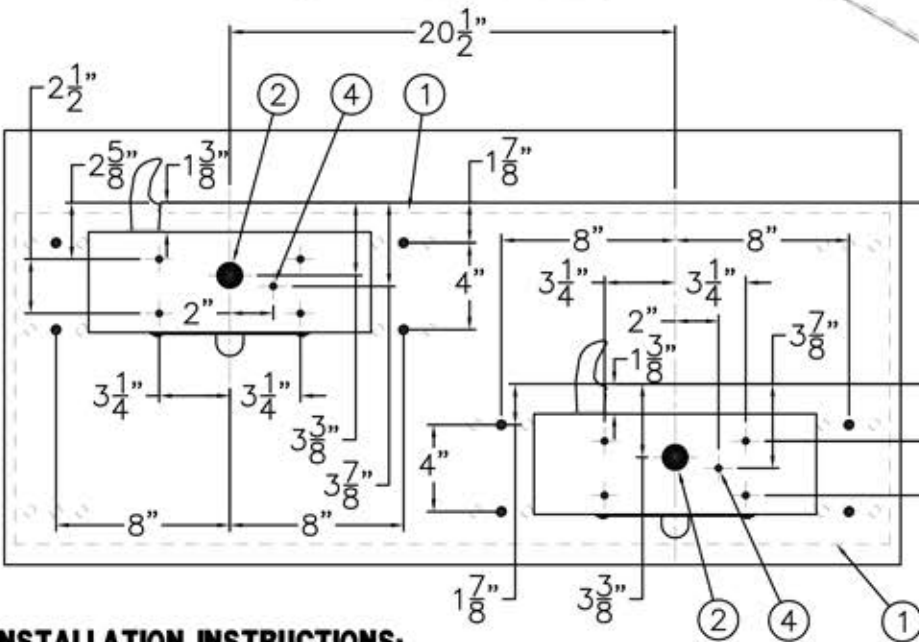
INSTALLATION INSTRUCTIONS

Contemporary Drinking Fountain

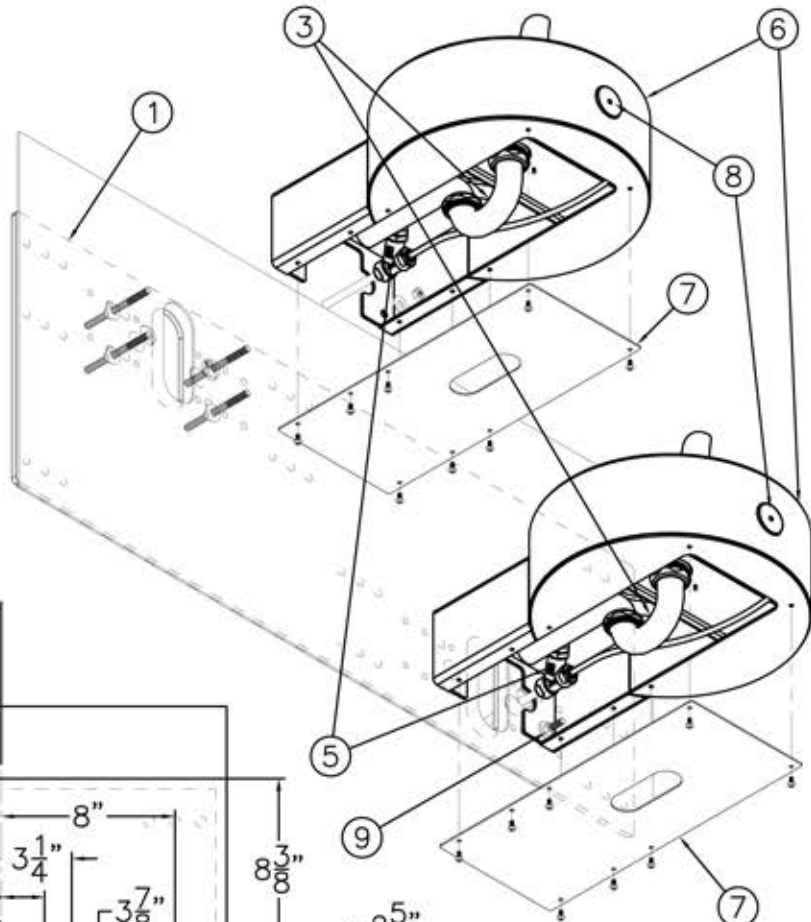
DETAIL A FLOW ADJUSTMENT



FRONT ROUGH-IN VIEW



34 3/8" ORIFICE HEIGHT
FOR 27" ADA KNEE
CLEARANCE. ADJUST
AS REQUIRED.



INSTALLATION INSTRUCTIONS:

- A- REFER TO DRAWING # 9938-376-0M2 TO INSTALL STANDARD SUPPLIED WALL MOUNTING PLATE (1).
- B- ROUGH-IN WASTE OUTLETS (2) AT DIMENSIONS SHOWN FOR 1-1/4" OUTER DIAMETER PLAIN END P-TRAPS (3).
- C- ROUGH-IN WATER SUPPLIES (4) AT DIMENSIONS SHOWN FOR THE 1/4" NOMINAL (3/8" O.D.) x 4" LONG COPPER TUBES CONNECTED TO IN-LINE STRAINERS (5) PROVIDED. STOPS RECOMMENDED ON SUPPLIES TO BE SUPPLIED BY OTHERS.
- D- CAREFULLY REMOVE FIXTURES (6) AND COMPONENTS FROM THE PACKAGING PREVENTING SCRATCHING AND DAMAGE.
- E- REMOVE BOTTOM ACCESS PANELS (7). ENSURE PUSHBUTTONS (8), P-TRAPS (3), AND BUBBLERS ARE SECURE. CHECK ALL TUBING CONNECTIONS TO MAKE SURE THEY DID NOT COME LOOSE IN SHIPMENT.
- F- SLIDE BACK PLATE & FIXTURES OVER STUDS FROM MOUNTING PLATE (1) AND SECURE WITH NUTS AND WASHERS (9).

- G- MAKE-UP 1-1/4" O.D. WASTE CONNECTION TO P-TRAPS (3).
- H- FLUSH WATER SUPPLIES (4) BY OTHERS OF ALL DEBRIS PRIOR TO CONNECTING TO FIXTURE.
- I- CONNECT WATER SUPPLIES (4) BY OTHERS TO 1/4" NOMINAL COPPER TUBE INLETS. STOPS ON SUPPLIES RECOMMENDED.
- J- TEST OPERATION OF BUBBLERS BY DEPRESSING BUTTONS (8). ADJUST THE FLOW RATE AS REQUIRED. SEE DETAIL A. CHECK ALL CONNECTIONS AND WASTE PIPING FOR LEAKS. CORRECT IF PRESENT.
- K- RE-INSTALL BOTTOM ACCESS PANELS (7).

NOTE:

STANDARD VALVE SHOWN. FOR THE OPTIONAL -FRA4 FREEZE RESISTANT VALVE REFERENCE DRAWING # 9938-331-001.

TITLE **ROUND OUTDOOR STEEL WALL MOUNTED BI-LEVEL DRINKING FOUNTAIN**

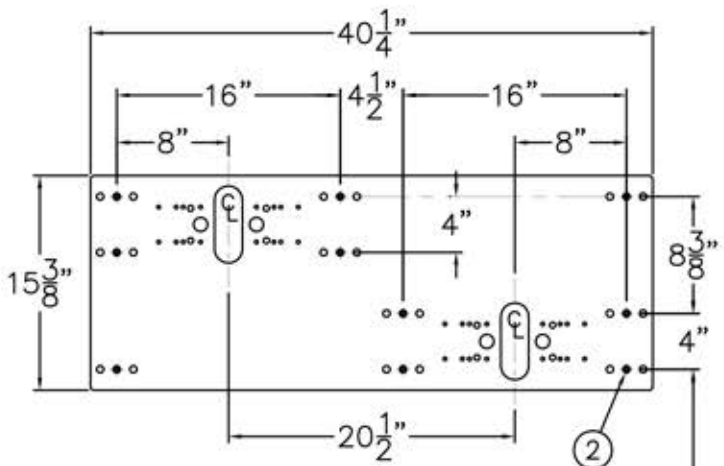
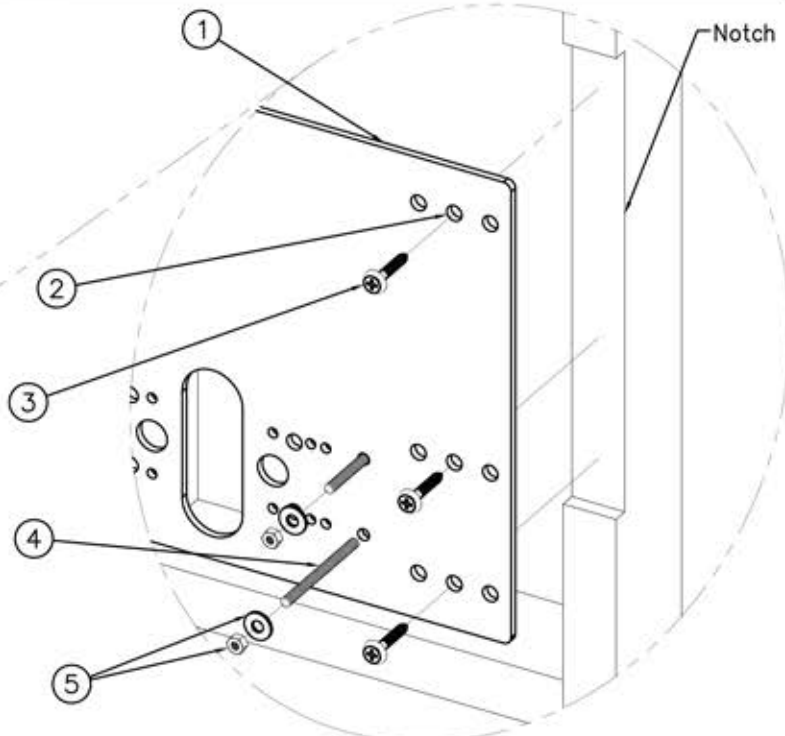
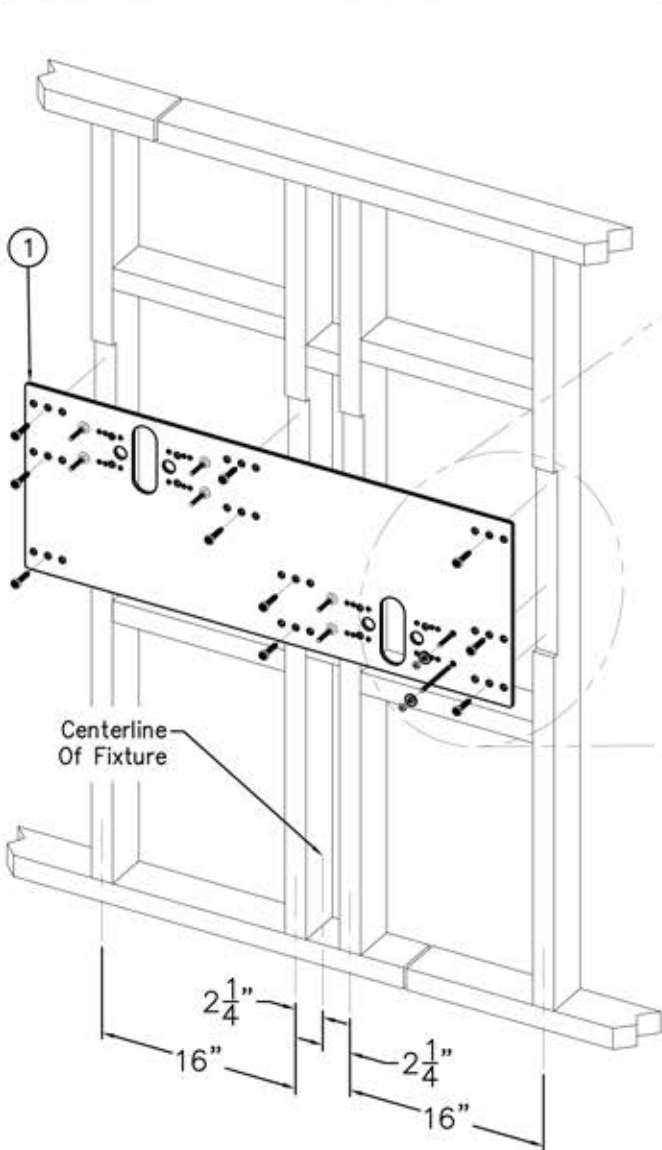
MANUFACTURE DATE
JANUARY 2006
TO PRESENT

DATE ISSUED
10/21/08
DATE REVISED
11/14/11

DRAWING NUMBER
9938-101-0M1

INSTALLATION INSTRUCTIONS

Contemporary Drinking Fountain



DIMENSION VARIES BY FIXTURE.

INSTALLATION INSTRUCTIONS:

NOTE: THE STANDARD BI-LEVEL INSTALLATION IS SHOWN. FOR THE OPTIONAL -RBL REVERSE BI-LEVEL CONFIGURATION, THE INSTALLATION IS OPPOSITE TO THAT SHOWN.

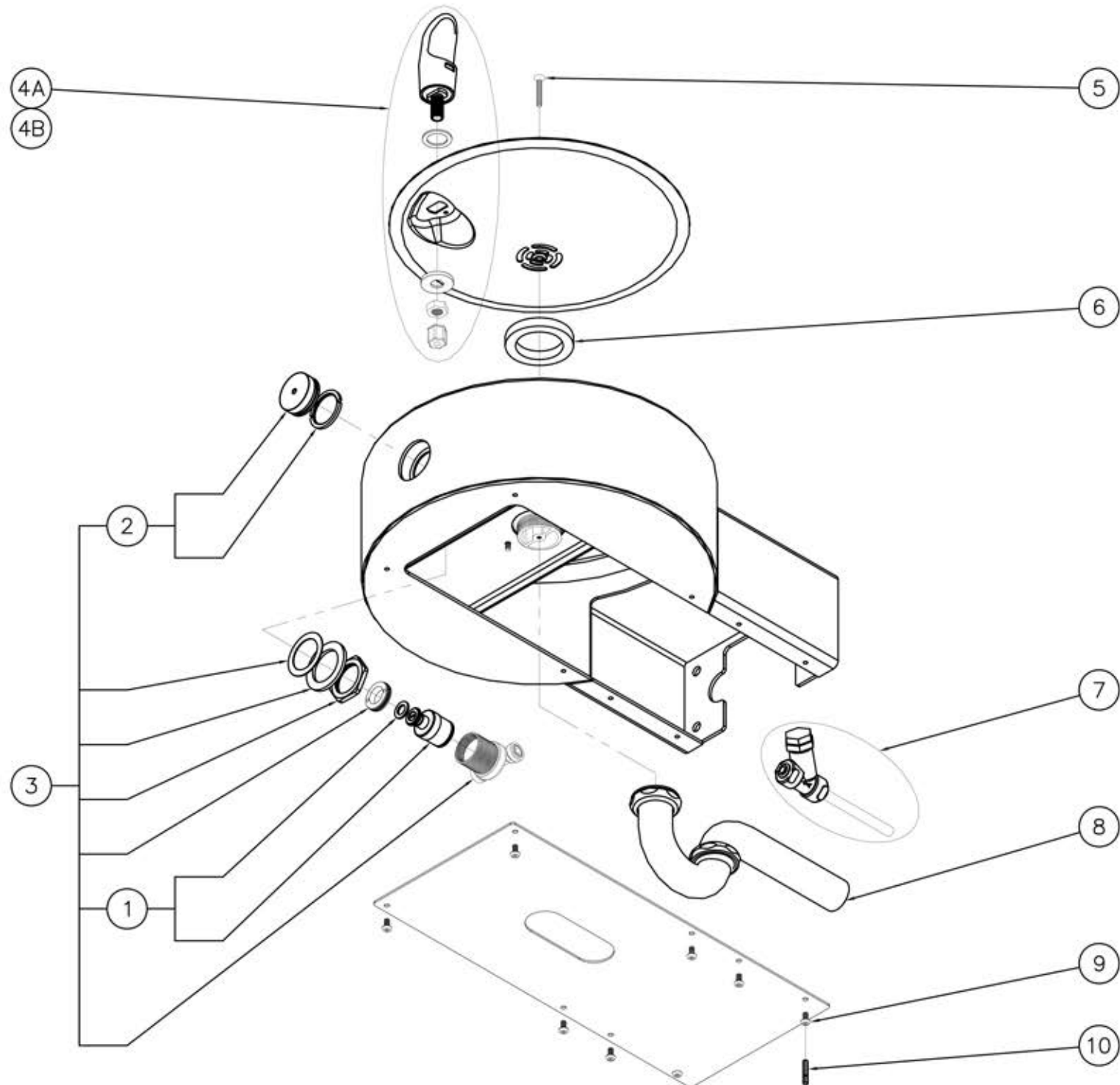
- A- PROVIDE STRUCTURAL WALL SUPPORT AT THE 16" SPACING AS SHOWN FOR ANCHORING THE -MP2 MOUNTING PLATE (1).
- B- MOUNTING PLATE (1) IS 1/4" THICK WITH 1/2" DIAMETER HOLES (2) IN 30 PLACES FOR ANCHORING HARDWARE (3) BY OTHERS. NOTCH/PREPARE WALL SO THAT PLATE (1) AND INSTALLER PROVIDED HARDWARE (3) WILL BE CONCEALED BEHIND THE WALL FINISHING MATERIAL.
- C- THREAD 5/16" ALL-THREAD STUDS (4) THRU PLATE (1) SO THAT MINIMUM 1-1/4" OF STUD WILL PROTRUDE BEYOND THE FINISHED WALL FACE. REFERENCE FIXTURE ROUGH-INS FOR LOCATION.
- D- SECURELY ANCHOR PLATE (1) TO WALL WITHIN NOTCHED AREA USING HARDWARE (3) BY OTHERS.

- E- MAKE APPROPRIATE SUPPLY AND WASTE ROUGH-INS THRU THE MOUNTING PLATE (1).
- F- COMPLETE INSTALLATION OF FINISHED WALL LEAVING STUDS (4) PROTRUDING AND ROUGH-INS ACCESSIBLE.
- G- SLIDE FIXTURE OVER STUDS (4) UP AGAINST FINISHED WALL AND SECURE WITH NUTS AND WASHERS (5). COMPLETE THE INSTALLATION REFERENCING THE FIXTURE INSTRUCTIONS.

TITLE		
STANDARD -MP2 BI-LEVEL WALL MOUNTING PLATE AND HARDWARE		
MANUFACTURE DATE	DATE ISSUED	DRAWING NUMBER
OCTOBER 2006	10/21/08	9938-376-0M2
TO PRESENT	DATE REVISED	
	10/25/10	

REPAIR PARTS

Contemporary Drinking Fountain



1	7000-069-001	VALVE CARTRIDGE WITH FOAM WASHER	6	7000-006-000	FLAT DRAIN ADAPTER GASKET
2	7000-068-001	RETAINING RING AND BUTTON ASSEMBLY	7	7000-022-001	"Y" STRAINER ASSEMBLY
3	7000-065-001	RECESSED PUSHBUTTON VALVE ASSEMBLY	8	7000-015-000	1-1/4" OUTER DIAMETER P-TRAP
4A	7000-002-001	STANDARD CHROME PLATED BRASS BUBBLER	9	0112-002-000	CENTER REJECT ALLEN BUTTON HEAD SCREW
4B	7000-410-002	"F" OPTION FLEXIBLE BUBBLER ASSEMBLY	10	0296-025-199	CENTER REJECT HEX DRIVER BIT
5	0152-010-000	CENTER REJECT ALLEN FLAT HEAD SCREW			
ITEM	PART NUMBER	DESCRIPTION	ITEM	PART NUMBER	DESCRIPTION

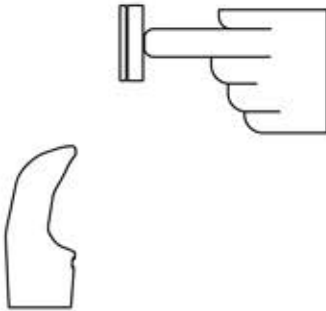
TITLE			
ROUND OUTDOOR STEEL WALL MOUNTED DRINKING FOUNTAIN			
MANUFACTURE DATE		DATE ISSUED	DRAWING NUMBER
JANUARY 2006 TO PRESENT		10/21/08	9938-100-5M0
		DATE REVISED	
		10/25/10	

STANDARD PUSH PAD / PUSH BUTTON DRINKING FOUNTAIN

CONDITION:

SOLUTION:

NO WATER FLOW:



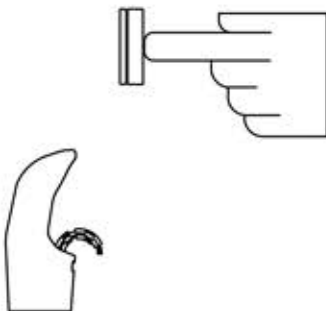
- 1.1 Check water main supply – open.
- 1.2 Inspect stop (by others) – open & no debris.
- 1.3 Inspect in-line strainer for debris – clean.
- 1.4 Replace valve cartridge.

WATER DRIPS / WILL NOT SHUT OFF:



- 2.1 For push pad activated drinking fountains only: Open fixture and move valve bracket assembly further back from push pad.
- 2.2 Replace valve cartridge.

REDUCED WATER FLOW:



- 3.1 Adjust the valve flow rate. See appropriate fixture installation instructions.
- 3.2 Check water main supply for 20 psig minimum flow pressure.
- 3.3 Inspect stop (by others) – open & no debris.
- 3.4 Inspect in-line strainer for debris – clean.
- 3.5 Inspect bubbler for debris – clean.
- 3.6 Inspect all tubing for twists or kinks.
- 3.7 Replace valve cartridge.

TITLE			DRINKING FOUNTAIN VALVE MAINTENANCE INSTRUCTIONS
MANUFACTURE DATE	DATE ISSUED	DRAWING NUMBER	
JANUARY 2006	10/21/08	9940-200-0M1	
TO PRESENT	DATE REVISED		
	10/25/10		

GR Series

MODEL GRD65-BP6

BARRIER FREE BI-LEVEL,
WALL MOUNTED DRINKING FOUNTAIN

STANDARD FEATURES

- *Adult ADA and TAS 11 - 15 Compliant (when properly installed)*
- *Resistant to sunlight, heat, moisture and wear*
- *18 gage, 304 stainless steel bowl*
- *12 gage, heavy duty stainless steel arm, corrosion and scratch resistant finish*
- *Polished chrome plated brass, anti-rotation non-squirt bubbler*
- *100 mesh inlet strainer*
- *P-trap, 1-1/4" O.D.*
- *Vandal resistant bottom stainless steel plate and screws*
- *Mounting plate*
- *12 gage stainless steel Back panel*

SUGGESTED SPECIFICATIONS

Model GRD65-BP6 is a wall mounted, vandal resistant bi-level round drinking fountain made from 18 gage, 304 stainless steel bowls mounted into green powder coated 12 gage, heavy duty stainless steel support arms with a steel powder coated back panel. Unit shall be activated by front mounted self-closing buttons, by using less than 5 pounds of force, which activates internally mounted valves with adjustable stream regulators controlling the water flow. Bubblers shall be polished chrome plated brass with non-squirt features and operate on water pressure range of 20-105 psig. Unit shall adhere to ANSI A117.1 and Americans with Disabilities Act of 1990 frontal approach and protruding objects requirements, Adult ADA and TAS 11-15 parallel and frontal approach and ANSI/NSF 61, Section 9 and CHSC 116875.



Standard Model: GRD65-BP6

OPTIONAL ACCESSORIES

(additional costs may be incurred)

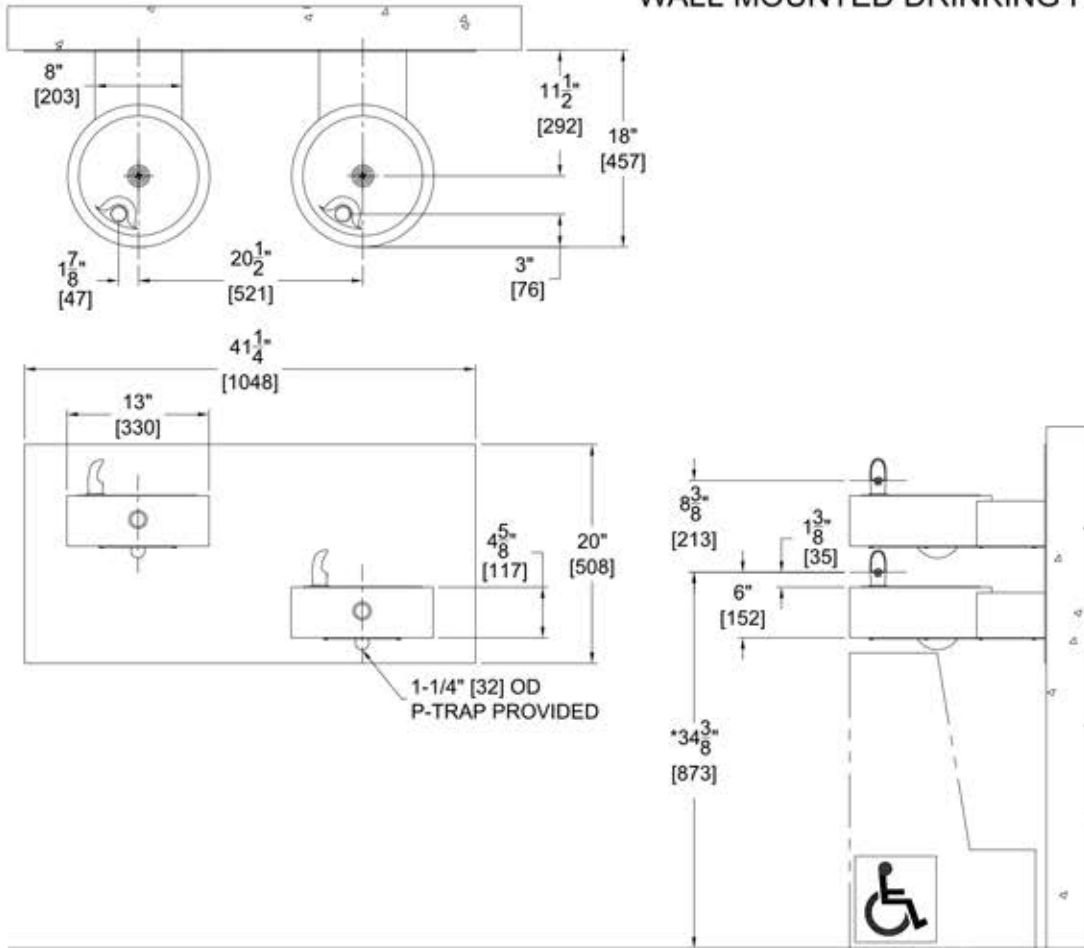
- CSC Concealed support carrier (2 required)
- FRA4 Freeze resistant valve system
- RBL Reverse bi-level
- "6" Firehouse red powder coated finish
(Use model GRD66-BP6)
- "7" Alpine blue powder coated finish
(Use model GRD67-BP6)

Custom color finishes available upon request

GR Series

MODEL GRD65-BP6

BARRIER FREE BI-LEVEL,
WALL MOUNTED DRINKING FOUNTAIN



GENERAL NOTES:

1. ALL DIMENSIONS ARE IN INCHES [MM].
- *2. DIMENSIONS SHOWN ARE FOR RECOMMENDED ADULT HEIGHT. ADJUST VERTICAL DIMENSIONS AS NECESSARY TO COMPLY WITH FEDERAL, STATE, & LOCAL CODES.
3. STOP VALVE NOT PROVIDED.

ONE YEAR LIMITED WARRANTY - Parts are warranted for one (1) year from date of shipment.

SELECTION SUMMARY & APPROVAL FOR MANUFACTURING	Model Number & Options _____	Quantity _____	
	Company _____		
	Contact _____	Title _____	
	Signature (Approval for Manufacturing) _____	Date _____	