

32 NOM
DIA

26 3/8
DIA

38

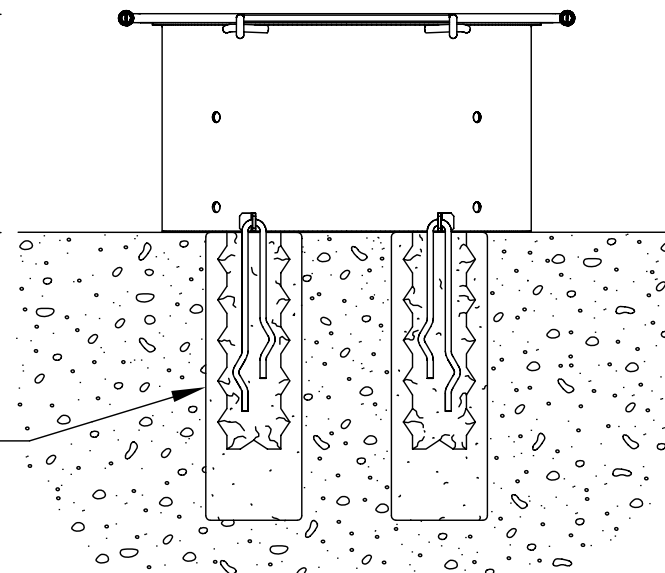
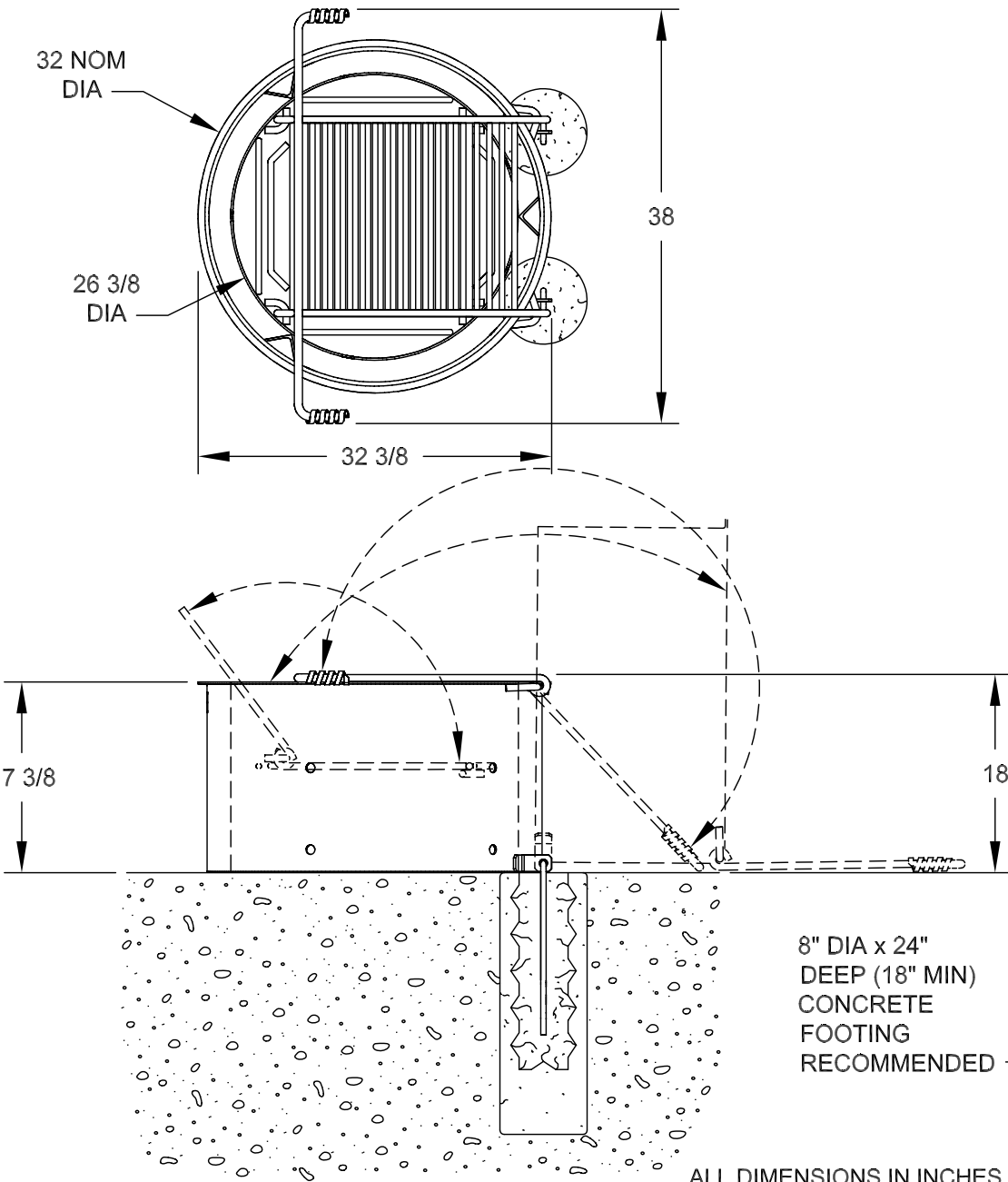
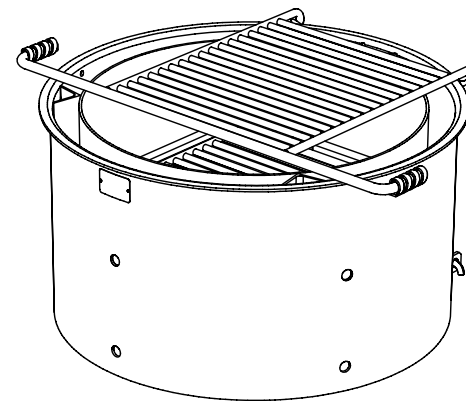
32 3/8

17 3/8

18

8" DIA x 24"
DEEP (18" MIN)
CONCRETE
FOOTING
RECOMMENDED

ALL DIMENSIONS IN INCHES



DRAWN BY
MGB

TITLE FS/DW-30/18/TB WHEELCHAIR ACCESSIBLE DOUBLE WALLED FIRERING WITH
TIP-BACK ANCHORS -SHOWN WITH OPTIONAL UTILITY SHELF

DATE 3-29-02

DWG. NO. AI-1462