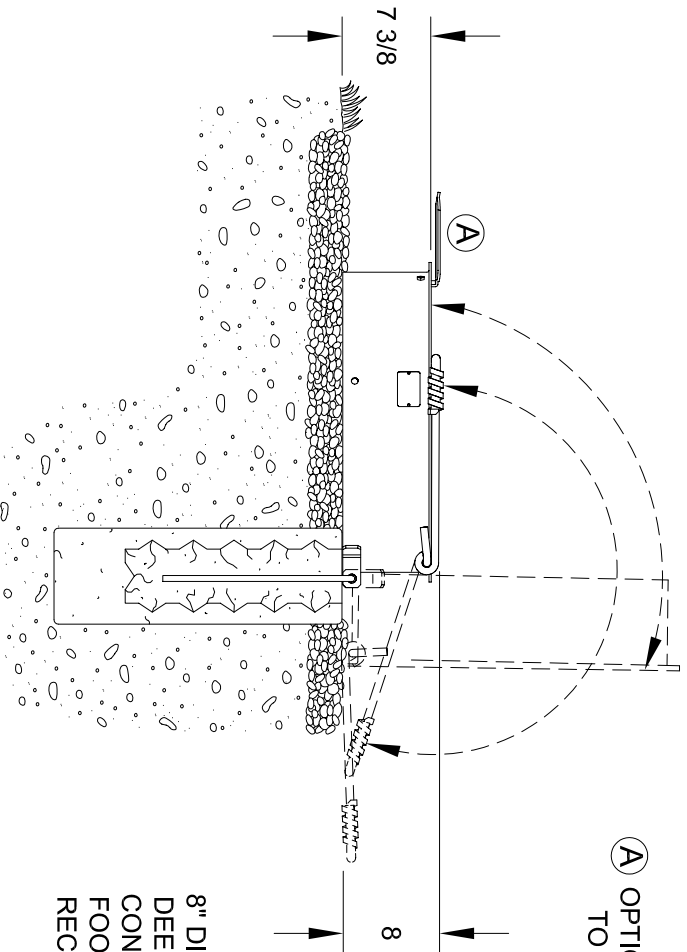
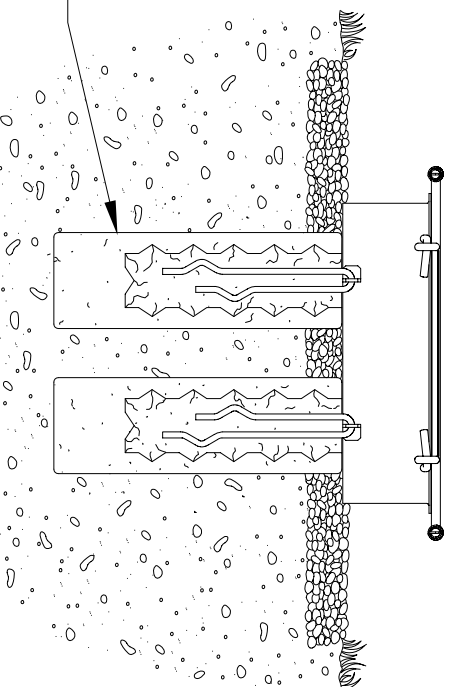


(A) OPTIONAL UTILITY SHELF - ADD /S  
TO MODEL NUMBER



8" DIA x 24"  
DEEP (18" MIN)  
CONCRETE  
FOOTING  
RECOMMENDED



ALL DIMENSIONS IN INCHES



DRAWN BY  
WMM

TITLE FS-26/7/TB CAMPFIRE RING WITH TIP-BACK ANCHORS  
-SHOWN WITH OPTIONAL UTILITY SHELF

DATE 1-31-02

DWG. NO. AI-1455