

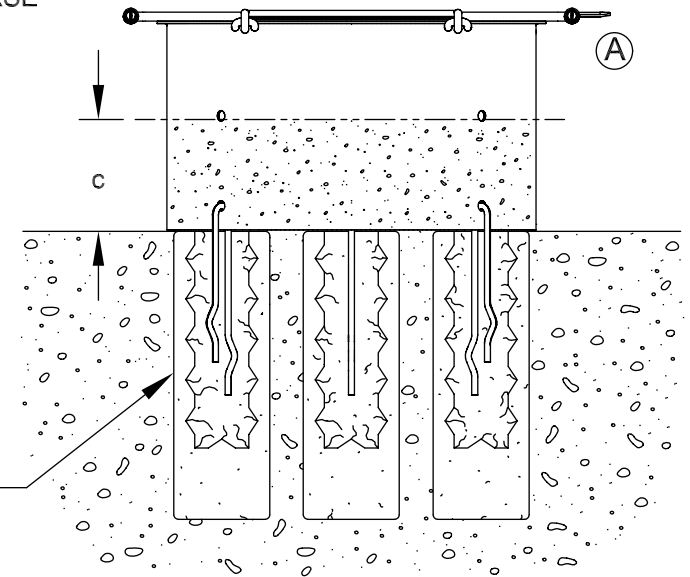
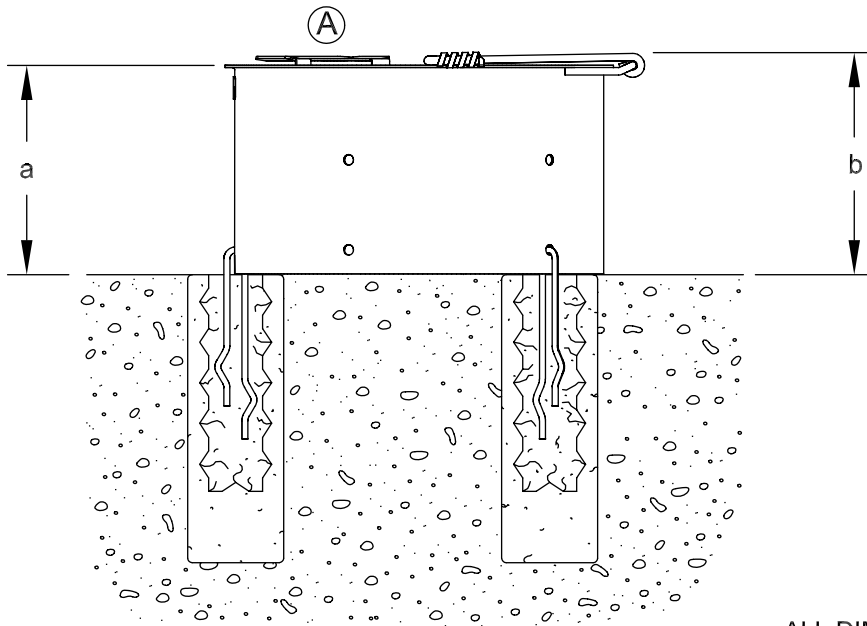
MODEL FS-30/24/PA/S

MODEL FS-30/18/PA/S

MODEL NUMBER	DIMENSION		
	a	b	c (min)
FS-30/18/PA	17-3/8	18	9
FS-30/24/PA	23-3/8	24	14-3/8

(A) OPTIONAL UTILITY SHELF  
- ADD /S TO MODEL NUMBER

FILL TO RECOMMENDED HEIGHT (c) ABOVE GROUND LEVEL WITH COARSE AGGREGATE FILL (CONFORMS TO ADA GUIDELINES OF MIN 9" HEIGHT ABOVE GROUND FOR FIRE BASE)



8" DIA. x 24" DEEP (18" MIN) CONCRETE FOOTING RECOMMENDED

ALL DIMENSIONS IN INCHES



DRAWN BY  
WWM

TITLE FS-30 SERIES WHEELCHAIR ACCESSIBLE CAMPFIRE RING WITH PIN ANCHORS;  
TWO MODELS WITH TWO SIDE HEIGHTS -SHOWN WITH OPTIONAL UTILITY SHELF

DATE 2-07-02

DWG. NO. AI-1411