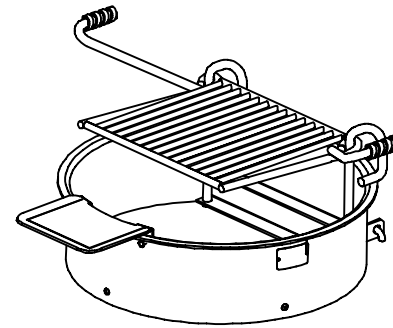
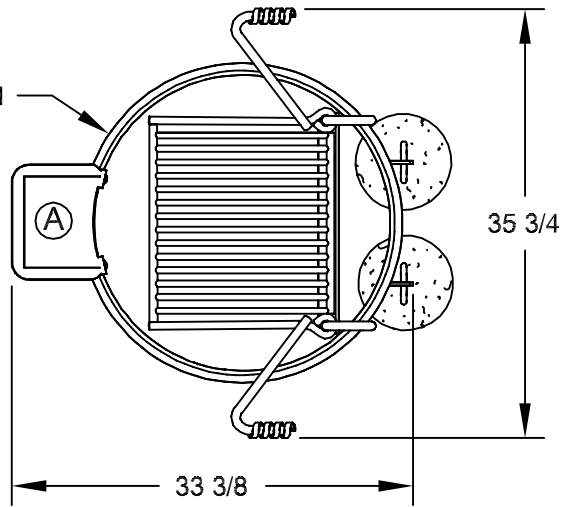
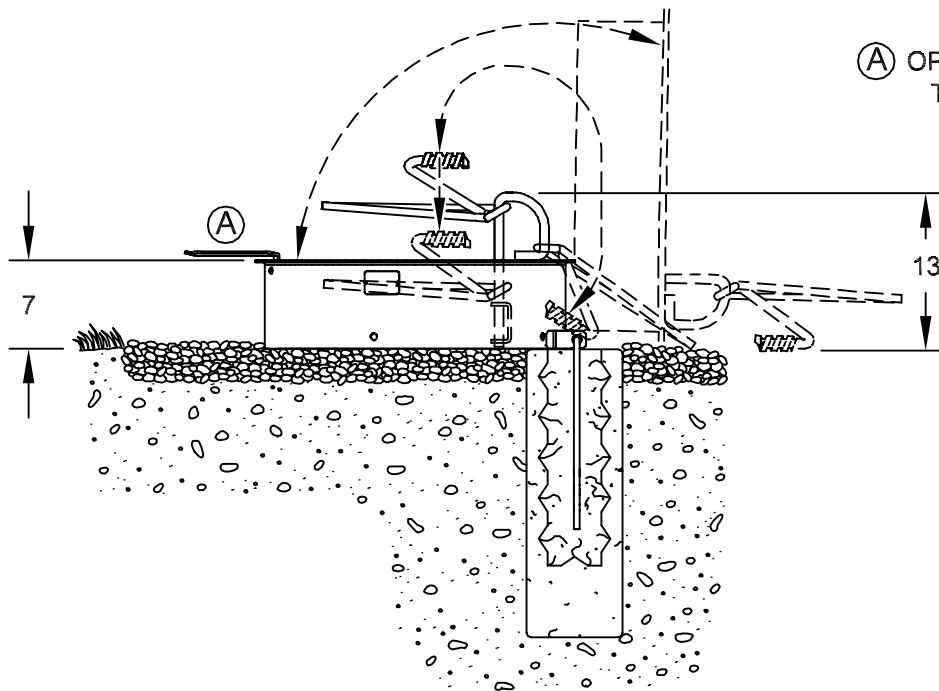


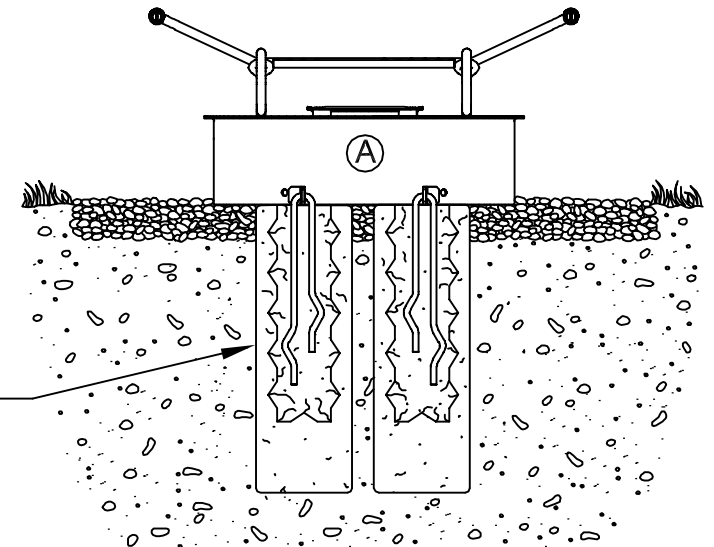
R13
NOM



Ⓐ OPTIONAL UTILITY SHELF - ADD /S
TO MODEL NUMBER



8" DIA x 24"
DEEP (18" MIN)
CONCRETE
FOOTING
RECOMMENDED



ALL DIMENSIONS IN INCHES



DRAWN BY
WWM

TITLE FA-26/7/TB CAMPFIRE COOKSITE WITH TIP-BACK ANCHORS
-SHOWN WITH OPTIONAL UTILITY SHELF

DATE 12-21-01

DWG. NO. AI-1451