

# No Lead Two-Level Drinking Fountain Soft Sides® Wall Mount – Fully Exposed with Wall Plate Barrier-Free Access Model EDFPVR217RC

## GENERAL

With a contemporary look and smooth, rounded lines, this two-level, wall mounted drinking fountain is constructed of a premium composite, solid surface material with a white granite finish. Contoured basin minimizes splashing and includes heavy duty, one-piece construction vandal-resistant bubblers which are keyed in location to prevent rotation. Easy to operate, fully functional push-buttons are vandal-resistant. Vandal-resistant bottom cover plates included. Flow regulator provides constant stream from 20 to 105 psi water pressure.

**THIS DRINKING FOUNTAIN COMPLIES WITH THE REQUIREMENTS OF A.D.A. (AMERICANS WITH DISABILITIES ACT) WHEN PROPERLY INSTALLED.**

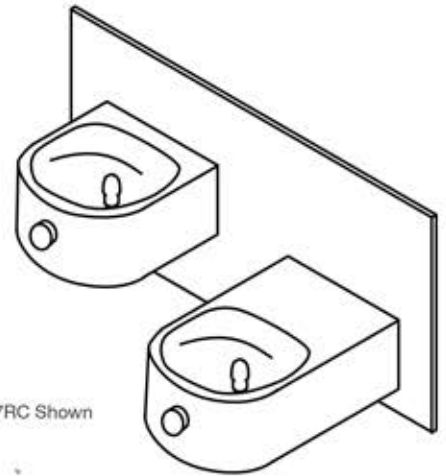
## NO LEAD DESIGN

**THIS DRINKING FOUNTAIN COMPLIES WITH THE LEAD-FREE DEFINITION IN THE SAFE DRINKING WATER ACT OF 1986 AND LEAD CONTAMINATION CONTROL ACT OF 1988.**

Drinking Fountains are manufactured with a waterway system utilizing copper components and completely lead-free material. These waterways have no lead because all leaded materials, such as leaded brass, have been removed.

## CONSTRUCTION

EDFPVR217RC furnished complete with one-piece construction, vandal-resistant bubblers, fully assembled front push-buttons, flow regulator (20 to 105 psi), drain and trap assemblies and vandal-resistant bottom cover plates.



Model EDFPVR217RC Shown

## ACCESSORIES

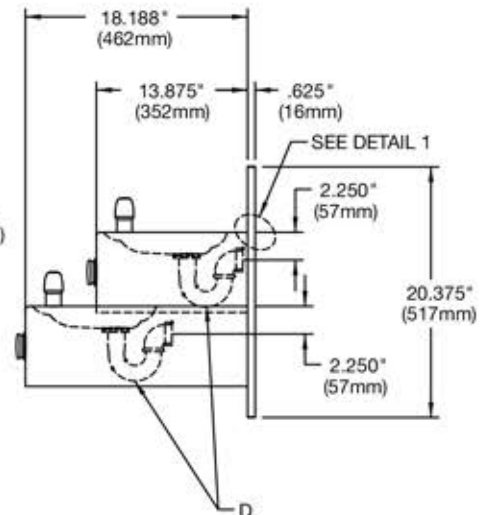
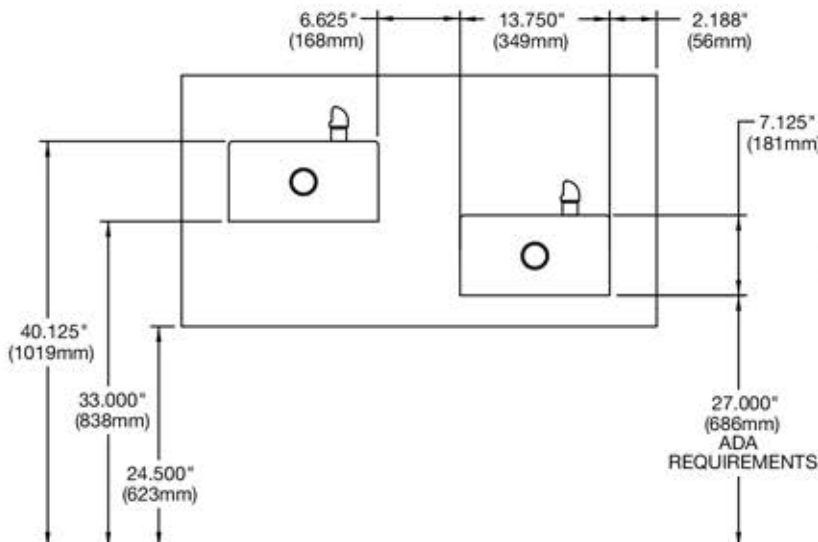
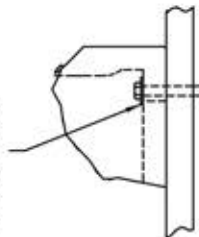
MPW200 In-wall carrier mounting plate.

ML100 Support columns for MPW200.

## STANDARDS

This fountain is certified by WQA to lead-free compliance including NSF/ANSI 61-ANNEX G, AB 1953.

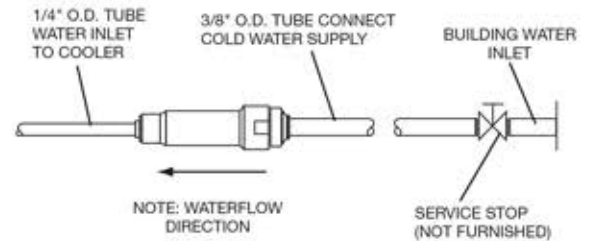
**DETAIL 1**  
WASHER REQUIRED  
TO MINIMIZE BREAKAGE  
OF FOUNTAIN  
(TYP. ALL 4 MOUNTING BOLTS.  
MOUNTING BOLTS & WASHERS  
NOT INCLUDED)



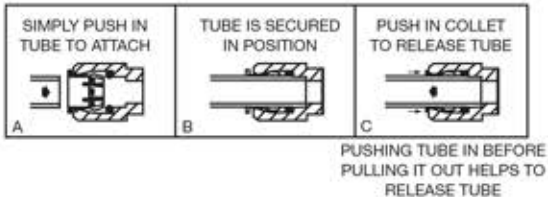
# No Lead Two-Level Drinking Fountain Soft Sides® Wall Mount – Fully Exposed with Wall Plate Barrier-Free Access Model EDFPVR217RC

## INSTALLER NOTE

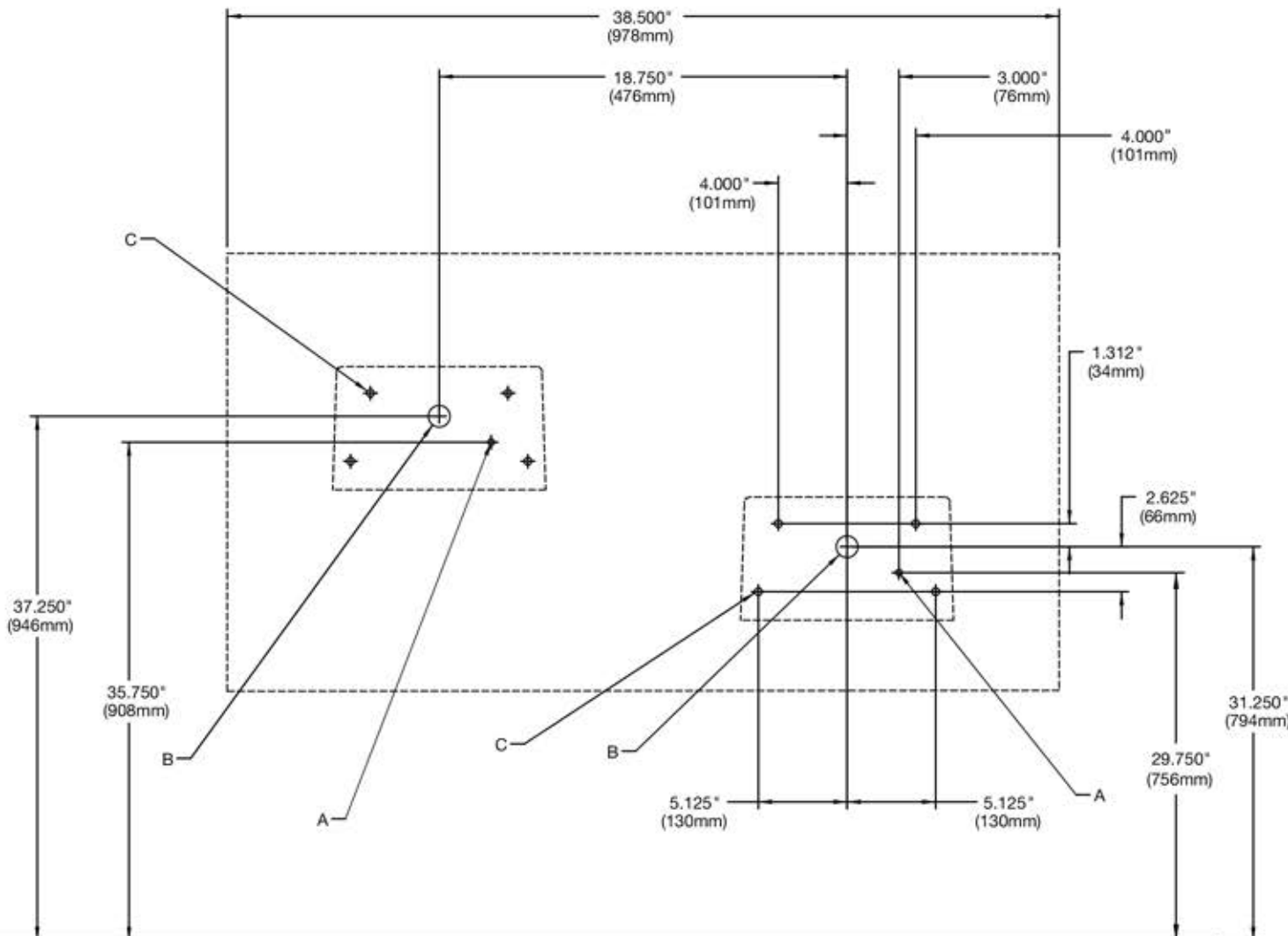
THIS DRINKING FOUNTAIN IS FURNISHED WITH A BUBBLER AND VALVE INCLUDING ALL CONNECTING FITTINGS WHICH ARE MANUFACTURED OF COMPLETELY LEAD FREE MATERIAL. SHUT OFF VALVE (NOT FURNISHED) TO ACCEPT 3/8" O.D. UNPLATED COPPER TUBE.



## OPERATION OF QUICK CONNECT FITTINGS



## WALL ROUGH-IN



## LEGEND:

- A = 7/8" DIA. (22mm) HOLE FOR WATER SUPPLY
- B = 1-3/4" DIA. (44mm) HOLE FOR WASTE LINE
- C = 1/2" DIA. (13mm) CLEARANCE HOLE FOR MOUNTING