

Economy Outdoor Pedestal Drinking Fountain  
Economy Outdoor Pedestal Drinking Fountain w/ Bottle Filler  
Economy Outdoor Pedestal Bottle Filler



**ECO-DF**



**ECO-DF-BF-F**



**ECO-BF**

**TECHNICAL ASSISTANCE TOLL FREE TELEPHONE NUMBER:  
1.800.591.9360**

Technical Assistance E-Mail: [fieldservice@acorneng.com](mailto:fieldservice@acorneng.com)

**NOTES TO INSTALLER:**

- 1. Please leave this documentation with the owner of the fixture when finished.**
- 2. Please read this entire booklet before beginning the installation.**
- 3. Check your installation for compliance with plumbing, electrical and other applicable codes.**

Murdock<sup>®</sup> assumes no responsibility for use of void or superseded data. © Copyright Murdock Mfg., City of Industry, CA Member of Morris Group International<sup>®</sup>. Please visit [www.murdockmfg.com](http://www.murdockmfg.com) for most current specifications.

**COMPLIES WITH  
STANDARDS**



**ANSI / NSF 61.9**



**murdock**<sup>®</sup>  
SINCE 1853

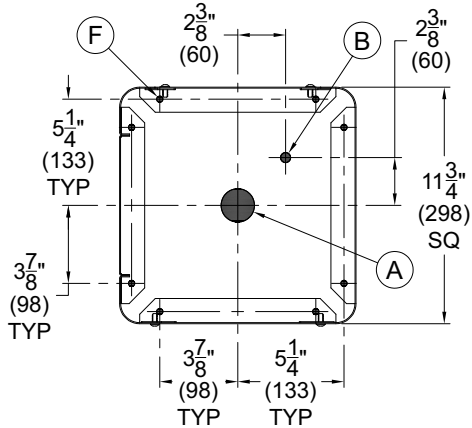
MEMBER OF MORRIS GROUP INTERNATIONAL<sup>®</sup>

15125 Proctor Ave, City of Industry, CA, 91746 U.S.A.  
Phone 800-591-9360

[www.murdockmfg.com](http://www.murdockmfg.com)

**ROUGHING-IN AND DIMENSIONAL DRAWING**

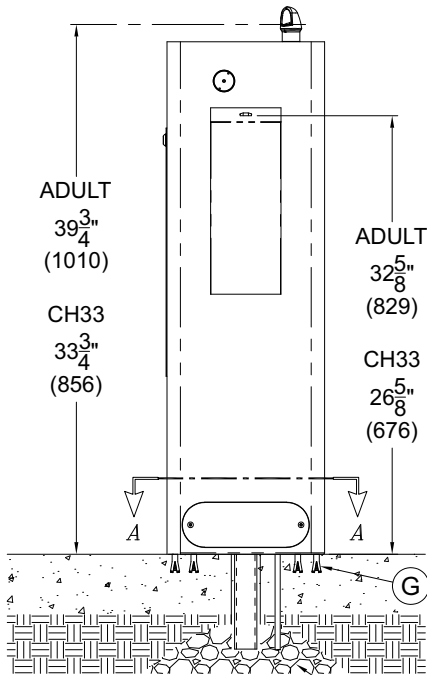
Prior to roughing-in consult with local, state, and federal codes for proper installation.



**SECTION A-A**  
**NOT TO SCALE**

**NOTE: THE ROUGH BELOW APPLY TO THE FOLLOWING FIXTURES;**

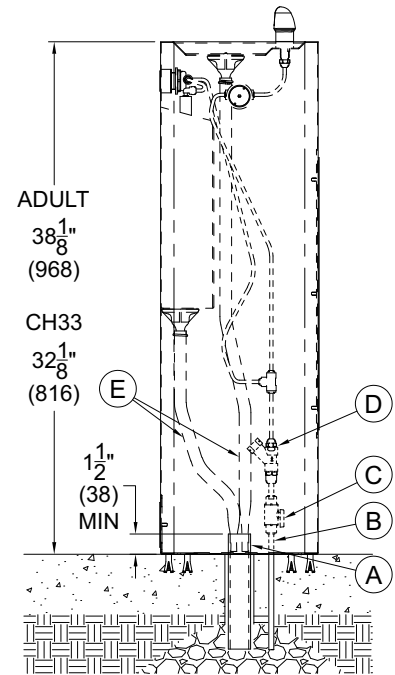
1. ECO-DF-BF (SHOWN)
2. ECO-DF-BF-F
3. ECO-DF-BF-CH33
4. ECO-DF-BF-CH33-F
5. ECO-DF
6. ECO-DF-F
7. ECO-DF-CH33
8. ECO-DF-CH33-F



- A. 1-1/4" O.D. WASTE TUBE, BY OTHERS
- B. 3/8" O.D. SUPPLY INLET
- C. 3/8" O.D. SHUT OFF VALVE, BY OTHERS
- D. "Y" STRAINER ASSEMBLY  
3/8" O.D. x 1/4" O.D.
- E. 7/8" O.D. FLEXIBLE WASTE HOSES
- F. Ø5/16" HOLES (8 PLACES) FOR  
INSTALLER PROVIDED HARDWARE
- G. INSTALLER PROVIDED FLOOR  
ANCHORS & ANCHORING HARDWARE

**ECO-DF-BF**  
**SHOWN**

GRAVEL DRAIN WELL 3 CUBIC  
FEET MIN RECOMMENDED



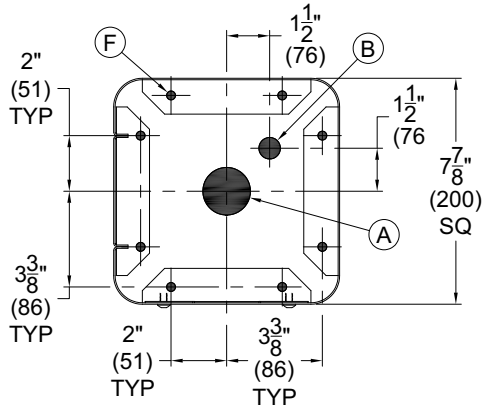
**GENERAL NOTES:**

1. ALL DIMENSIONS ARE IN INCHES (MM)
2. SUPPLY STOP VALVE NOT PROVIDED

Please visit [www.murdockmfg.com](http://www.murdockmfg.com)  
for most current specifications.

**ROUGHING-IN AND DIMENSIONAL DRAWING**

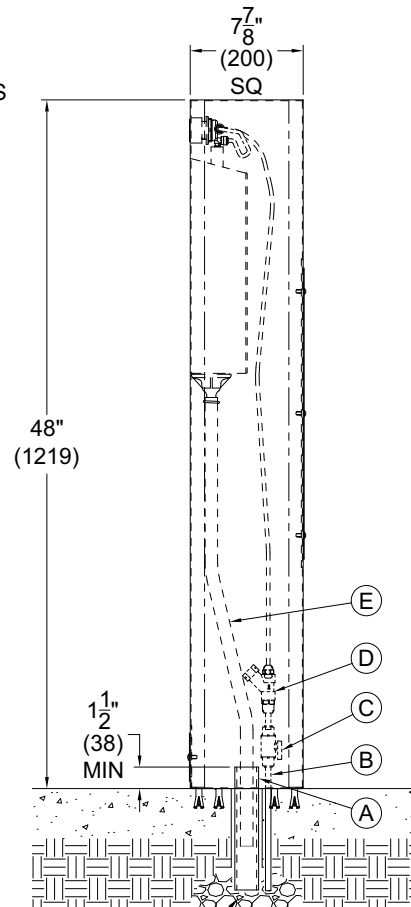
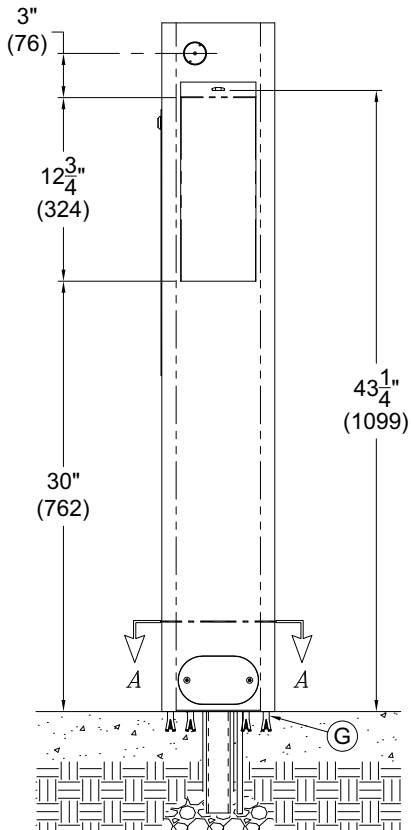
Prior to roughing in consult with local, state, and federal codes for proper installation.



**SECTION A-A SCALED x 2**

**NOTE: THE ROUGH BELOW APPLY TO THE FOLLOWING FIXTURES;**  
1. ECO-BF (SHOWN)  
2. ECO-BF-F

- A. 1-1/4" O.D. WASTE TUBE, BY OTHERS
- B. 3/8" O.D. SUPPLY INLET
- C. 3/8" O.D. SHUT OFF VALVE, BY OTHERS
- D. "Y" STRAINER ASSEMBLY  
3/8" O.D. x 1/4" O.D.
- E. 7/8" O.D. FLEXIBLE WASTE HOSES
- F. Ø5/16" HOLES (8 PLACES) FOR  
INSTALLER PROVIDED HARDWARE
- G. INSTALLER PROVIDED FLOOR  
ANCHORS & ANCHORING HARDWARE



**ECO-BF  
SHOWN**

GRAVEL DRAIN WELL 3 CUBIC  
FEET MIN RECOMMENDED

**GENERAL NOTES:**

- 1. ALL DIMENSIONS ARE IN INCHES (MM)
- 2. SUPPLY STOP VALVE NOT PROVIDED

Please visit [www.murdockmfg.com](http://www.murdockmfg.com)  
for most current specifications.

**PRIOR TO INSTALLATION:**

1. Read all installation instructions carefully, before proceeding.  
**NOTE: Fixtures come fully assembled, including pre-plumbed.**
2. Carefully remove fixture from packaging, preventing scratching or damage. Inspect for any damage.
3. Provide mounting surface, sufficient to support the fixture and loads on the fixture. Provide concrete slab per local code, and appropriate floor anchors and anchoring hardware provided by the installer to securely anchor fixture.
4. Provide rough-ins as shown on the roughing-in and dimensional drawing, including Water Supply, Drain Pipe and Gravel Drain Well. (See page 2, and 3 for rough-in details)
5. Completely flush water supply lines of all foreign debris, before connecting to the fixture.

**INSTALLATION: (see drainage & mounting roughing-in page 2, and 3)**

1. Locate the unit over rough-ins on the Mounting Pad, mark mounting holes in base flange.
2. Tilt the unit down on its side, next to the mounting location. Install appropriate Drop-In Anchors, provided by installer.
3. Feed the 7/8" OD Flexible Drain Tube(s) into the open ended Drain Tube. Connect the 3/8" O.D. Tube from "Y" Strainer to a potable water supply shut-off valve, by installer. Then tilt the unit into place, making sure that the Tubing is not pinched or kinked. Secure the Fixture to the Mounting Pad, through the various access panels, with installer provided hardware.
4. Test for leaks and proper operation, and then reinstall the Access Panel(s).

**START UP:**

Air within the fixture System or the structure supply piping will cause an irregular spout outlet stream until purged out by incoming water. Press and hold Pushbutton(s) and or Foot Button(s) until steady water stream is achieved.

**DRINKING FOUNTAIN OPERATION INSTRUCTIONS:**

**Hand operation:** Push button, drink water, release Pushbutton when finished.

**Foot operation:** Step on Foot Button, drink water, step off Foot Button when finished..

**BOTTLE FILLER OPERATION INSTRUCTIONS:**

**Hand operation:** Hold container to be filled just below the Filler Tube in the center of the unit, then push Pushbutton. When the container is almost filled, release the Pushbutton.

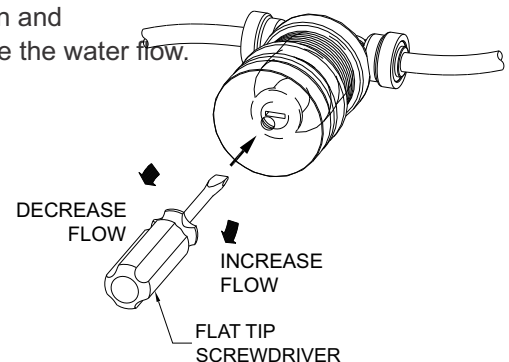
**Foot operation:** Hold container to be filled just below the Filler Tube in the center of the unit, then step on Foot Button. When the container is almost filled, step off the Foot Button.

**DRINKING FOUNTAIN FLOW ADJUSTMENT:**

Insert a small Flat Tipped Screwdriver into the center hole of the Button and turn Clockwise to increase the flow and Counter-Clockwise to decrease the water flow.

**DRINKING FOUNTAIN FLOW ADJUSTMENT -F FOOT OPERATION:**

To adjust flow rate for the Foot Operation remove one of the upper Access Panels, push Foot Button and adjust flow by turning the Ball Valve handle Clockwise to decrease flow and Counter-Clockwise or to full open to increase.



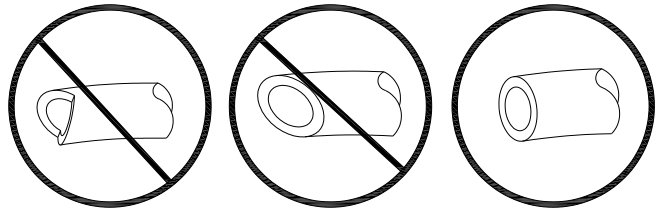
Please visit [www.murdockmfg.com](http://www.murdockmfg.com)  
for most current specifications.

**PUSH-IN FITTING INSTALLATION**

NOTE: FITTINGS AND TUBE SHOULD BE KEPT CLEAN, BAGGED AND UNDEAMAGED PRIOR TO INSTALLATION.

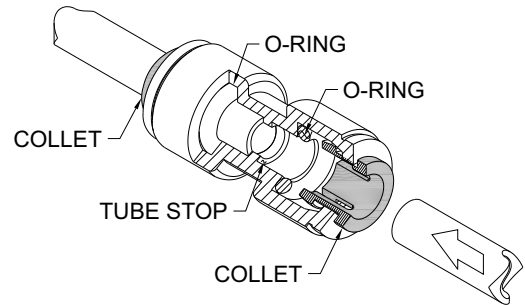
**TO CUT TUBE:**

Cut to fit length of 1/4" Polyethylene (PE) Tubing and remove any burrs or sharp edges. Ensure that the outside diameter is free from score marks. Tube ends should be square.

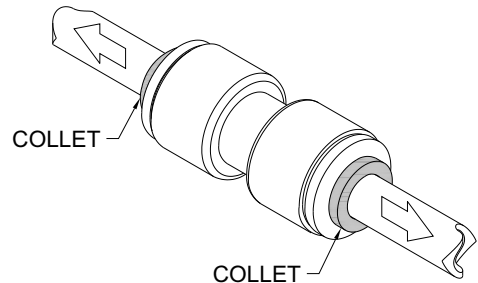


**INSERTING THE TUBE:**

1. Firmly and fully insert the Tubing End into the Push-In Fitting up to the Tube Stop located approximately 1/2" deep.

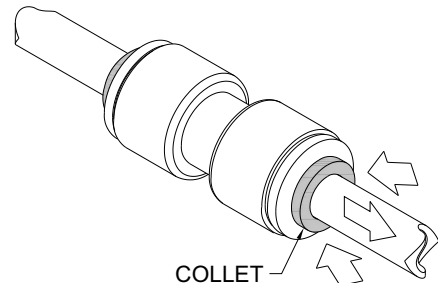


2. Pull on the fitted Tubing to ensure it is secure. Tube should not come free from the Fitting. Water test the connection assembly prior to leaving the site to ensure there are no leaks.



**DISCONNECTING THE TUBE:**

Before disconnecting the Tube from the Fitting, ensure that the water line is depressurized. Push Collet square towards the Push-In Fitting Body and hold. While holding the Collet in, pull on the PE Tubing to remove from the Push-In Fitting.



Please visit [www.murdockmfg.com](http://www.murdockmfg.com) for most current specifications.

**TROUBLE SHOOTING:**

**1. RESTRICTED OR NO WATER FLOW:**

- a. Ensure Water Supply service stop valve is fully open.
- b. Verify minimum 20 PSIG supply line flow pressure.
- c. Check for twist or kinks in spout tubing.
- d. Check the water inlet "Y" strainer. Sediment from the main supply can get trapped in the screen along with installation materials such as pipe dope and flux. The screen should be cleaned and checked on a regular basis and replace if needed.
- e. Flow control in solenoid valve outlet elbow clogged remove & clean.

**CLEANING & MAINTENANCE GUIDE:**

**For Powder coated units:** Units should be cleaned using a mild soap solution with a sponge or cotton cloth. Wipe down surfaces then rinse with clean water.

**For Stainless steel units:**

1. To Remove water spots or rust spots, stainless steel cleaner/polish on a cloth is recommended.
2. If there are stubborn spots or if you wish to treat a scratch, synthetic abrasive general purpose pads such as Scotch-Brite™ are recommended.
3. Apply stainless steel cleaner/ polish to the synthetic abrasive pads and carefully rub the panel in the direction of the grain pattern.
4. DO NOT use harsh chemicals, abrasive or petroleum based cleaners. Use of these will void the Murdock warranty. DO NOT use abrasives on powder coated units.
5. Stainless steel should be kept clean at all times. If a coating of stainless steel cleaner/ polish is maintained, stainless steel surfaces will retain their new, clean, polished appearance indefinitely.

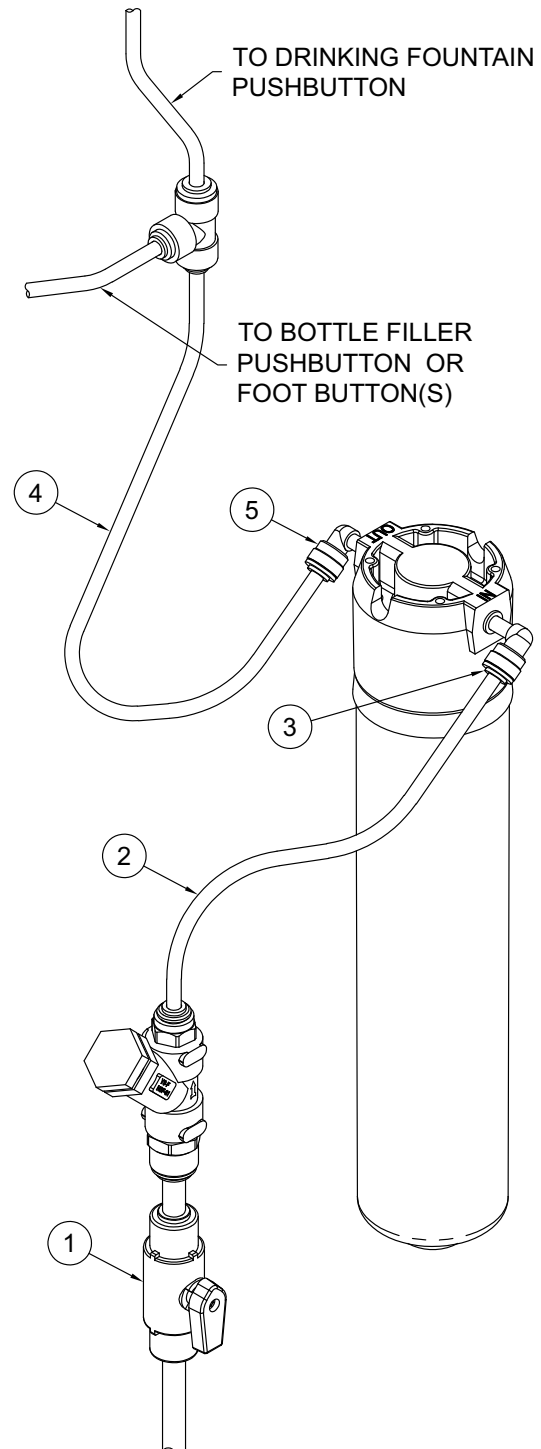
---

Please visit [www.murdockmfg.com](http://www.murdockmfg.com)  
for most current specifications.

**FILTER CARTRIDGE**  
**REPLACEMENT:**

1. Remove six (6) Screws that holds the Back Access Panel to the back of the Housing or remove the locked Panel on the side of the Housing, this allows access to the inside of the Unit.
2. Turn the Supply Stop **1** off and cut 1/4" O.D. Tubing **2** roughly in the middle.
3. Connect Tubing **2** to the Filter Inlet Push-In Elbow **3** and tubing **4** to Filter Outlet Elbow **5**.
4. Open Supply Stop **1** and check for leaks, if there are no leaks re-install access panel(s).

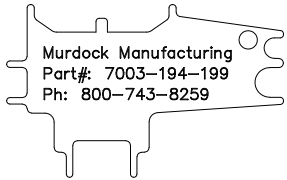
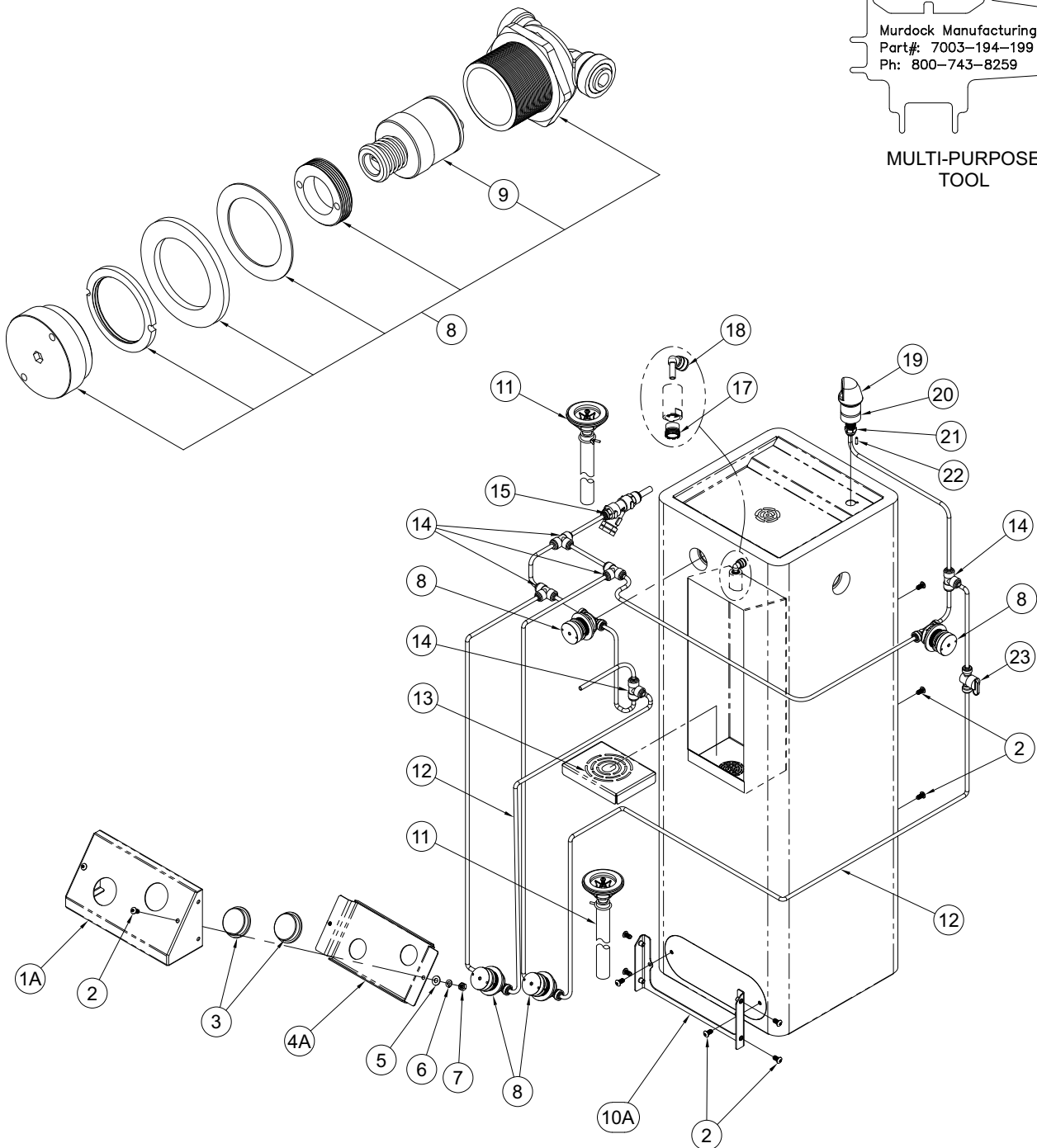
**NOTE: FILTER IS INTENDED TO REST ON THE GROUND AND/OR REST AGAINST THE SIDE OF THE HOUSING**



Please visit [www.murdockmfg.com](http://www.murdockmfg.com)  
for most current specifications.

**ECO-DF-BF ECONOMY DRINKING FOUNTAIN w/ BOTTLE FILLER OUTDOOR PARTS  
BREAKDOWN DRAWING:**

**NOTE:** See page 11 for table of part numbers corresponding to drawing below.



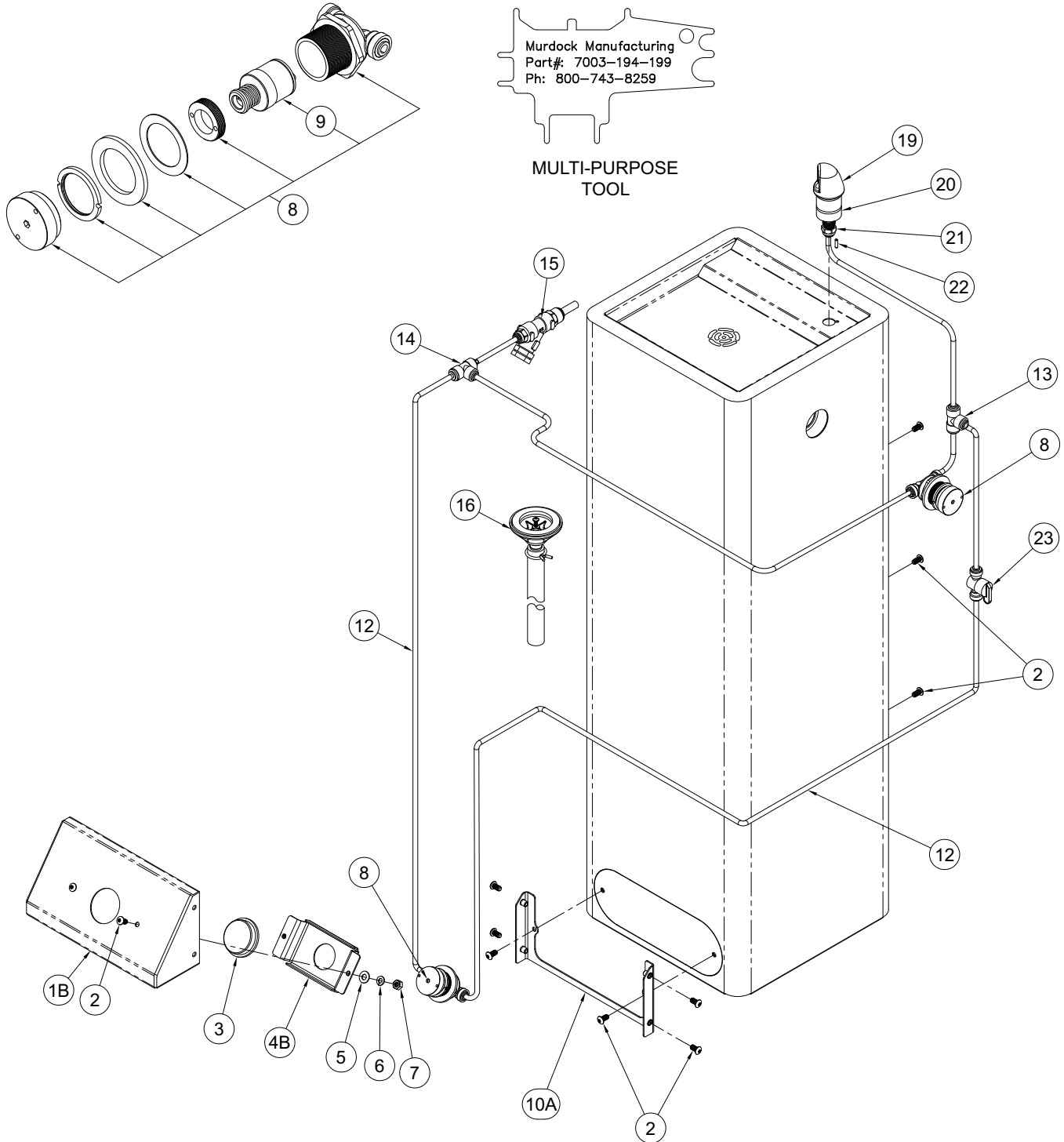
**MULTI-PURPOSE  
TOOL**

Please visit [www.murdockmfg.com](http://www.murdockmfg.com)  
for most current specifications.



**ECO-DF ECONOMY OUTDOOR DRINKING FOUNTAIN PARTS BREAKDOWN DRAWING:**

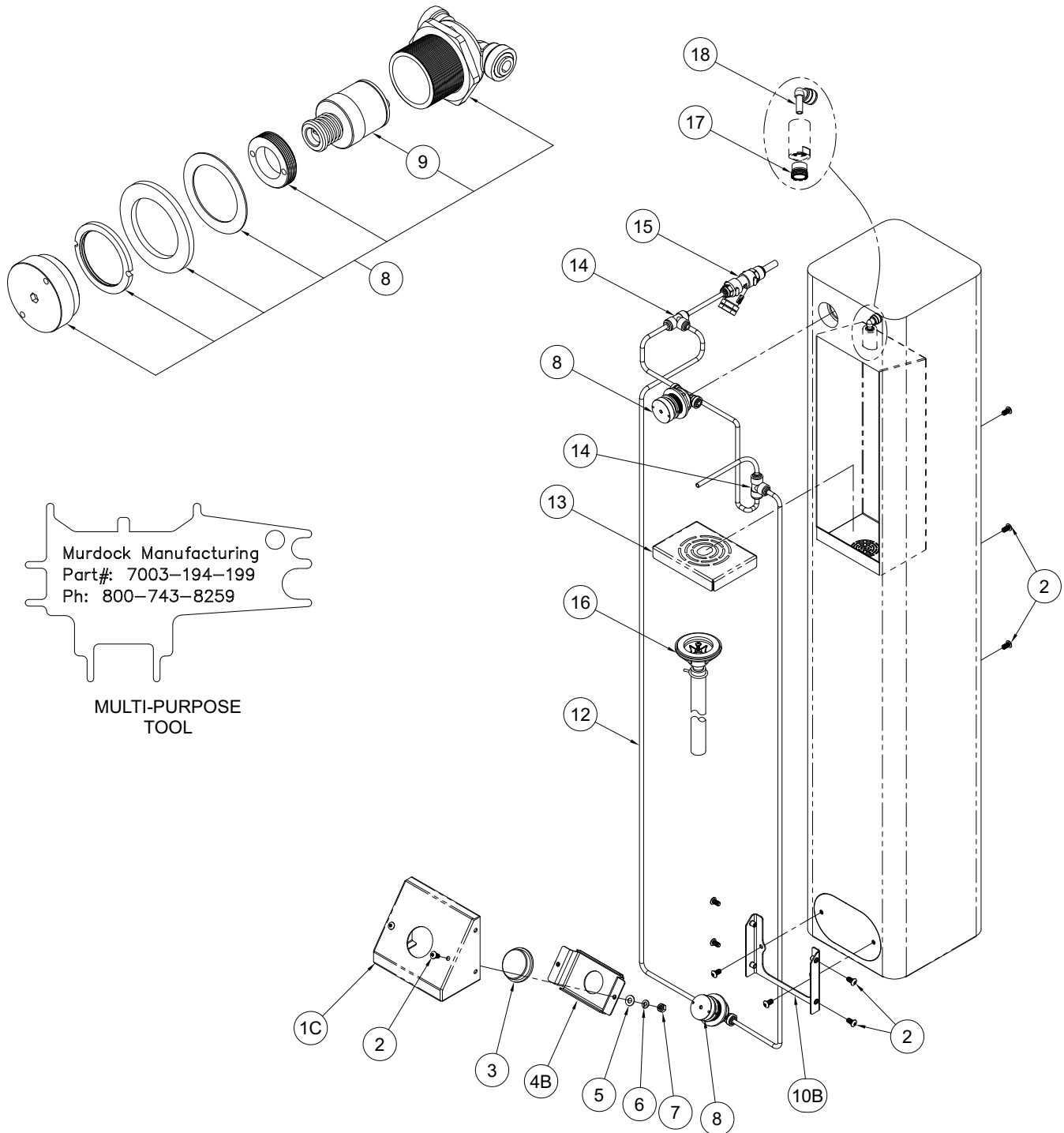
**Note:** See page 11 for table of part numbers corresponding to drawing below.



Please visit [www.murdockmfg.com](http://www.murdockmfg.com)  
for most current specifications.

**ECO-BF ECONOMY OUTDOOR BOTTLE FILLER PARTS BREAKDOWN DRAWING:**

**NOTE:** See page 11 for table of part numbers corresponding to drawing below.



Please visit [www.murdockmfg.com](http://www.murdockmfg.com)  
for most current specifications.

**Outdoor Bottle Filler Breakdown Table:**

**Note:** See previous page for fixture drawing corresponding to table of parts below.

ITEM #	PART NUMBER	DESCRIPTION
1A	4880-108-199	ECO-DF-BF FOOT BUTTON HOUSING
1B	4880-218-199	ECO-DF FOOT BUTTON HOUSING
1C	4880-208-199	ECO-BF FOOT BUTTON HOUSING
2	0112-007-000	1/4"-20 UNC x 1/2" BUTTON HD CNTR REJECT SCREW
3	4880-127-199	FOOT BUTTON CAP
4A	4880-109-199	ECO-DF-BF FOOT BUTTON BRACKET
4B	4880-209-199	ECO-DF & ECO-BF FOOT BUTTON BRACKET
5	0331-005-000	1/4" WASHER
6	0337-050-000	1/4" LOCKWASHER
7	0302-005-000	1/4"-20 HEX NUT
8	7000-065-001	PUSHBUTTON CARTRIDGE ASSEMBLY
9	7000-060-000	FLOW REGULATOR CARTRIDGE 0.5 GPM
10A	4880-107-001	BIG VALVE HOUSING ADAPTER PLATE
10B	4880-207-001	SMALL VALVE HOUSING ADAPTER PLATE
11	4880-130-001	DRINKING FOUNTAIN/BOTTLE FILLER DRAIN KIT
12	2169-007-199	1/4" O.D. LLDPE TUBING, BLUE x 120"
13	4880-125-199	BOTTLE FILLER DROP-IN GRATE
14	1895-710-000	1/4" O.D. PUSH-IN UNION TEE
15	7000-021-001	"Y" STRAINER w/ 3/8" O.D. COPPER x 1/4" O.D. PUSH-IN
16	4880-132-001	DRAIN KIT w/ 36" 7/8" O.D. HOSE
17	7013-119-000	1.0 GPM LAMNAR NOZZLE
18	1895-709-000	1/4" PUSH-IN x 1/4" STEM ELBOW
19	2990-080-199	DRINKING BUBBLER
20	0365-003-199	DRINKING BUBBLER SPACER
21	1895-125-000	1/4" O.D. x 1/4" NPT ADAPTER
22	0345-014-000	1/8" x 1/2" SPRING PIN
23	7000-420-000	1/4" O.D. PUSH-IN 1/4 TURN VALVE

Please visit [www.murdockmfg.com](http://www.murdockmfg.com)  
for most current specifications.